

OBSOLETE

Operating instructions
Betriebsanleitung
Mode d'emploi

UT-10 / UT-11

Universal Transmitter for various applications	GB
Universaltransmitter für vielfältige Einsatzgebiete	D
Transmetteur univiersel pour utilisations multiples	F



WIKA Alexander Wiegand GmbH & Co. KG
Alexander-Wiegand-Straße 30
63911 Klingenberg/ Germany
Tel. (+49) 93 72/132-295
Fax (+49) 93 72/132-706
E-Mail support-tronic@wika.de
www.wika.de

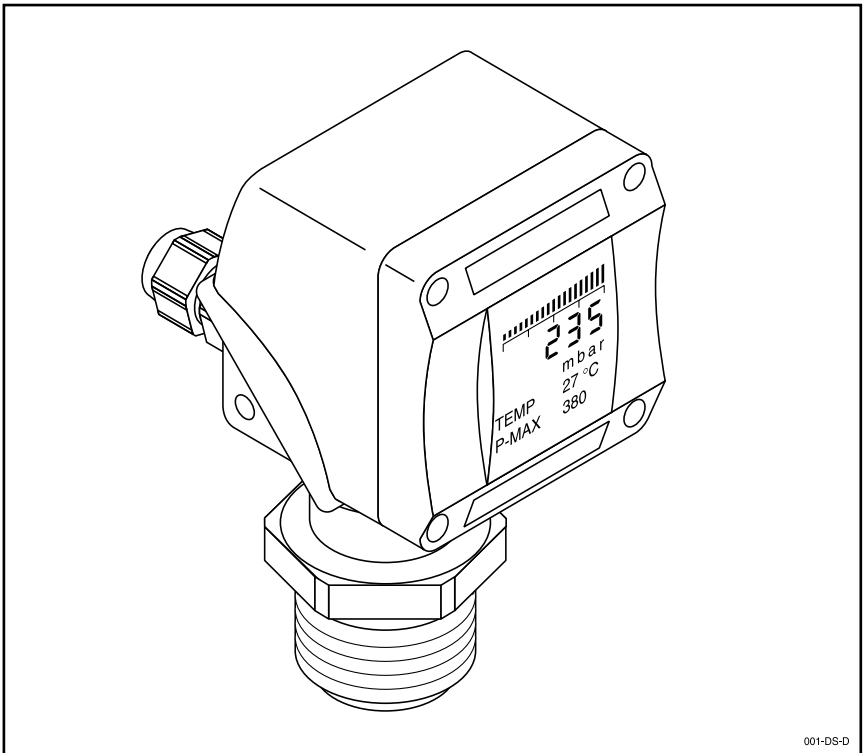




**Universal-Drucktransmitter
Universal Pressure Transmitter
Transmetteur de Pression Universel**

UniTrans®

Betriebsanleitung / Manual / Manuel



Contents

1	General Safety Instructions	44
2	Product Description	45
2.1	Construction	45
2.1.1	Pressure Transducer	45
2.1.2	Processing Unit	46
2.1.3	Display Unit	46
2.2	Function	47
2.2.1	Functions of Transmitters without Displays	47
2.2.2	Functions of Transmitters with Displays	47
2.3	Installation Examples	48
3	Technical Data	50
3.1	Input-values	50
3.2	Output-values	50
3.3	Construction	51
3.4	Auxilliary Power	52
3.5	Ambient Conditions	52
3.6	Process Conditions	52
3.7	Identification Plates (example)	53
4	Installation	54
4.1	Pressure Transmitter Installation	54
4.2	Display Unit Upgrades	54
4.3	Housing Reconfiguration	55
4.4	Electrical Connection	56
4.5	Pressure Compensation when using a Relative Pressure Sensor	57
5	Operation of Transmitters without Display	58
5.1	Preparation	58
5.2	Key Functions (only available for transmitters without display)	58
5.3	Calibration with Pressure	59
5.3.1	Zero Point Calibration	59
5.3.2	Span Calibration	59
5.4	Calibration without Pressure	60
5.4.1	Zero Point Calibration	60
5.4.2	Span Calibration	60
5.4.3	Mounting correction of the sensor	61
5.5	Integration Time (Damping) Adjustment	62
5.6	Reset to Default	62
6	Operation of Transmitters with Display	63
6.1	The Display	63
6.2	Key Functions	64
6.3	The Programming Mode	64

6.4	Default Data (factory settings)	65
6.5	Main Menu.	66
6.5.1	Main Menu: Display	67
6.5.2	Main Menu: Calibration of zero and span	69
6.5.3	Main Menu: Output	70
6.5.4	Main Menu: Evaluation	71
6.5.5	Main Menu: Language.	72
6.5.6	Main Menu: Service.	73
7	Diagnostics and Service	74
8	Disposal	74
9	Appendix.	75
9.1	Dimension Diagrams	75
9.2	Model Key	79
9.3	Warranty Conditions	81
9.4	Glossary	81
9.5	Units of Pressure Measurement	81

1 General Safety Instructions



All pressure connections may only be opened after the system is without pressure!



Observe the national regulations about safety and accident prevention, as well as the safety instructions in this operating manual when operating the pressure transmitter.



Any operation not described in the following instructions must not be carried out.



If a failure cannot be repaired, the transmitter must be switched off. The operator must then make sure that it is only switched on again after the failure has been repaired.



Prior to installing, starting and operating a pressure measuring instrument, the user must ensure that the appropriate instrument has been selected with regard to scale range and performance and that the wetted parts material is suitable for the specific measuring conditions of the respective application.



Serious injuries and/or damage can occur should the relevant regulations not be observed.



Dangerous pressure media such as oxygen, acetylene, flammable gases or liquids and toxic gases or liquids as well as instruments for refrigeration plants or compressors etc. require attention above the standard regulations. Here the specific safety codes or regulations must be considered.



Remaining pressure medium contained in the pressure element may be hazardous or toxic. This should be considered when handling and storing the removed pressure measuring instrument.



Repairs should only be carried out by the manufacturer. All other repairs or modifications of the transmitter are unauthorized.



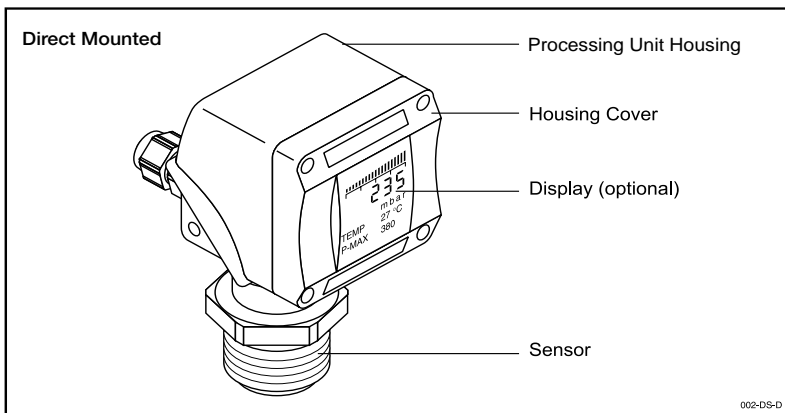
Other important safety guidelines can be found in the different sections of this instruction manual.

2 Product Description

The UniTrans pressure transmitter can be used in level control applications as well as for pressure measurement applications in process industry. A variety of process connections, measurement ranges, main boards and display options result in a product for a wide range of applications.

2.1 Construction

The UniTrans consists of a pressure sensor, a control interface unit and a housing cover with optional display. Due to this modular design, different transmitter versions can be mounted (see "Model Key" on page 79).



2.1.1 Pressure Transducer

The pressure transducer has a piezo-resistive or thinfilm measurement cell depending on the pressure range. The sensors are temperature compensated, and have a hermetically welded membrane which is "helium" leak-tested. The pressure transducers do not have internal sealing elements.

Pressure transducers further distinguish themselves from one another based on their pressure ranges and the different materials of wetted parts. Different process connections can be selected to serve a wide range of applications.

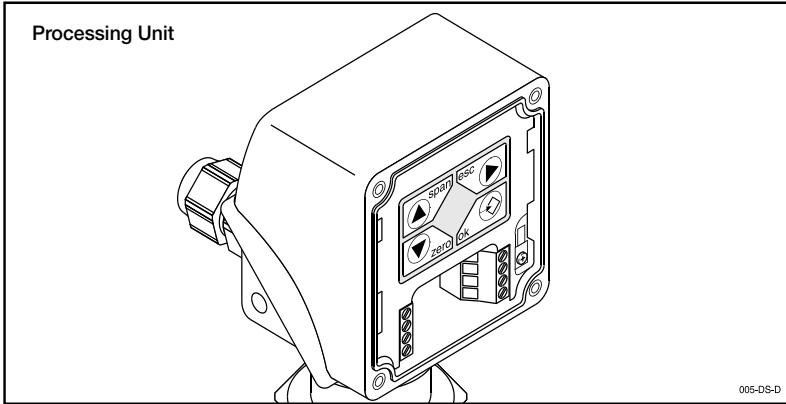


Attention

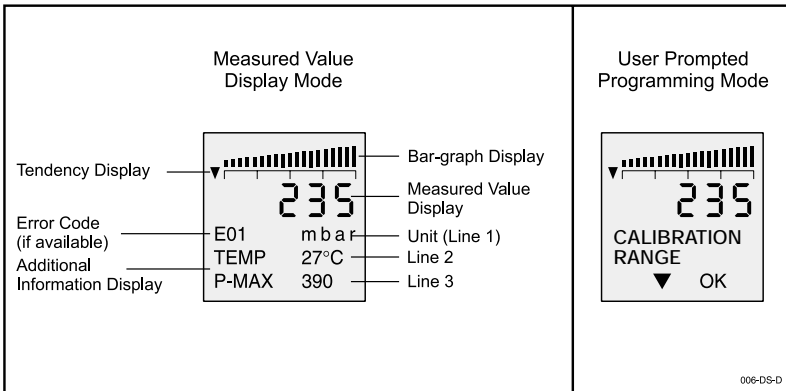
Never exceed the overpressure limit of the respective pressure transducer.

2.1.2 Processing Unit

The processing unit, which is integrated in the housing contains the terminal compartment and the keypad used for programming the transmitter. The four keys must be activated (unlocked) before use. During normal operation the keypad is locked to protect data and functions previously entered. The keypad is automatically locked when no key is hit for 10 minutes. The processing unit converts the digitalized signal from the measuring unit into a standard 4...20 mA current signal.



2.1.3 Display Unit



The indicator has four digits (7-segment display) + symbols. Below it, line 1 (16-segment display) is used to display error codes and the signal's unit of measure. The unit of measure can be selected by the operator. Measurements over 9999 can not be correctly displayed. Please note this when choosing the unit (e.g. 9999 Pascal = 0,09999 bar). Additional information is displayed in lines 2 and 3 (16-segment display). The operator can enter commands in the programming mode on the display unit by means of menu guided, clear-text prompts.

Published 16.2.04

Transmitters with displays offer a larger number of programming and processing options. These options include alarm status, damping, signal inversion, tank linearization and diagnostic messages.



Display units can be easily upgraded (see chapter 4.2).

2.2 Function

The mode of operation for signal conversion works in the same way for all versions. The pressure transducer converts the existing pressure into an electrical signal. Microelectronics further process the input signal and produce a proportional 4-20 mA standard signal.

The display-version allows programming (parameterization) and the display of extended functions such as inversion, damping, alarm status and linearization.

2.2.1 Functions of Transmitters without Displays

- Calibration of zero and span under pressure (see 5.3)
- Calibration of zero and span without pressure (dry adjustment) (see 5.4)
- Setting the dampening / integrating the output signal 0-40 s (see 5.5)
- Reset to manufacturer's default values (see 5.6)
- Mounting correction of the sensor (beginning with software version 1.05) (see section 5.4.3)

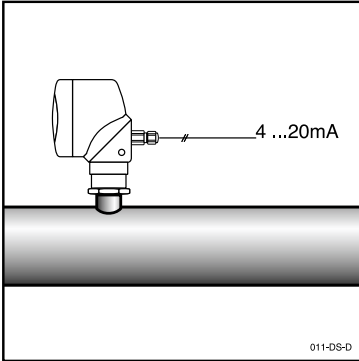
2.2.2 Functions of Transmitters with Displays

- Settable units of measurement (mbar, bar, psi, mA, %, m, mm WS) (see 6.5.1)
- Temperature and Min/Max values shown in display (see 6.5.1)
- Nominal pressure range of the sensor shown in display (see 6.5.1)
- Zero and span calibration (with/without pressure) (see 6.5.2)
- Setting of damping / integration of output signal 0-40 s (see 6.5.3)
- Inversion of the output current signal (see 6.5.3)
- Setting the output current value in case of alarm (3.6 mA or 21 mA) (see 6.5.3)
- Setting the limits of the output signal (see 6.5.3)
- Offset of the output signal (see 6.5.3)
- Mounting correction of the sensor
- Measuring circuit test function (see 6.5.4)
- Reset functions (see 6.5.4)
- Password activation (see 6.5.4)
- Selecting the language of the display (see 6.5.5)
- Entering of a table function for the linearization of the output signal (see 6.5.6)
- Entering the medium density (see 6.5.6)

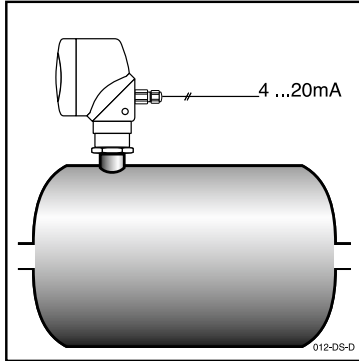
2.3 Installation Examples

The UniTrans is primarily used to monitor the pressure in pipes, technical equipment and tanks. Depending on the pressure range pressures between 20 mbar up to 1000 bar can be measured. The pressure is measured using absolute (against a vacuum) or relative (against external or air pressure) measurement depending on the type of sensor selected.

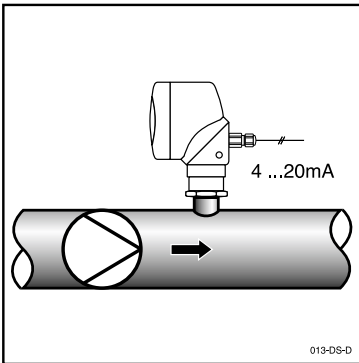
The UniTrans is also used for hydrostatic pressure measurement within liquid filled pipes and containers.



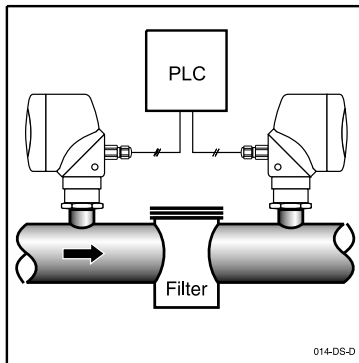
*Process Pressure Measurement:
Used to measure pressure of liquids
or gases in pipelines.*



*Process Pressure Measurement:
Used to measure container pressure.*

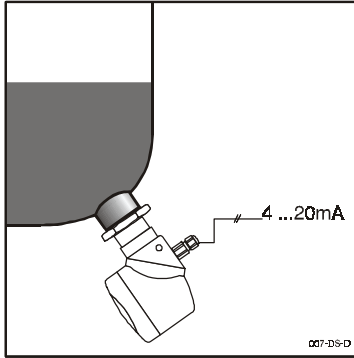


*Process Pressure Measurement:
Installed behind feed pumps for
process control or monitoring of pump
functions.*

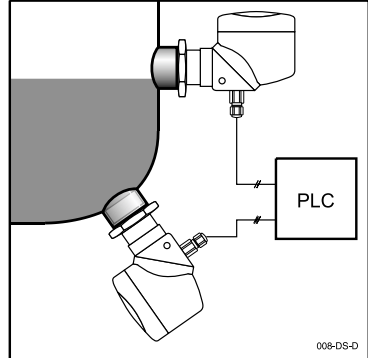


*Process Pressure Measurement:
Installed in front of and behind the filter.
Uses the pressure differential for monitoring
the function or accumulation of dirt
in the filter. Both output signals are processed
by a PLC or signal converter.*

Published 16.2.04



*Level Control:
Externally mounted
(with front flat diaphragm)*



*Level Control:
Combined pressure and head pressure
are measured by two externally mounted
pressure transducers. The two signals
are analyzed and the differential is cal-
culated by a PLC or suitable signal con-
verter.*

3 Technical Data

3.1 Input-values

Pressure Ranges (Absolute pressure upon request)	/ overpressure limit	/ burst pressure
0 ... 0.4 bar	2	2.4
0 ... 1,6 bar	10	12
0 ... 6 bar	35	42
0 ... 16 bar	80	96
0 ... 40 bar	80	400
0 ... 100 bar	200	800
0 ... 250 bar	500	1200
0 ... 600 bar	1200	2400 ¹⁾
0 ... 1.000 bar	1500	3000
0 ... 1,600 bar	2000	4000
0 ... 2,500 bar	3000	5000
0 ... 4,000 bar	4400	7000
-1 ... +0 bar*	2	2.4
-1 ... +0,6 bar*	10	12
-1 ... +3 bar*	35	42
-1 ... +5 bar*	35	42
-1 ... +15 bar*	80	96

*only relative pressure
Do not exceed the nominal pressure!

¹⁾For flush diaphragm version: The value specified in the table applies only when sealing is realised with the sealing ring underneath the hex. Otherwise max. 1500 bar applies.

3.2 Output-values

Output signal	4 ... 20 mA
Accuracy [% of span] (linearity, hysteresis, repeatability)	≤ 0.10 at ranges ≤ 1000 bar ≤ 0.30 at ranges > 1000 bar
Turn down behavior: (1/k) up to 1 : 5 1 : 5 to 1 : 20	no changes of deviation the accuracy must be multiplied by the factor (turn down / 5) example for TD = 1:15, (k = 15) accuracy = 0.10 * (15/5) = 0.3
Overall deviation (at +10 °C ... +40 °C)	≤ 0.15 % (limit point calibration) < 0.6 % for pressure ranges of > 1000 bar
Load	$R_A \leq (U_B - 12 \text{ V}) / 0.023 \text{ A}$ with R_A in Ohm and U_B in Volt
Fault signal	3.6 mA or 21 mA, programmable

Integration time	0 s, 1 s, 5 s, 20 s, 40 s, programmable
Adjustment of the span	Up to Turn down 1 : 20
Integrated lightning protection	optional
Zero point adjustment	2.5 ... 99 %

3.3 Construction

Process connections	
Model UT-10	G 1/2 B per DIN 16288 (1/2 NPT) M 16 x 1,5 with sealing cone ≥ 1600 bar 3/8-24 UNF LH male ≥ 1600 bar 1/4"-28 UNF LH M 250-C ≥ 1600 bar
Model UT-11	G 1B flush diaphragm with o-ring (Ranges: 0 ... 0.4 up to 0 ... 1.6 bar) G 1/2 B flush diaphragm with o-ring (Ranges: 0 ... 6 bis 0 ... 600 bar) G 1 1/2 flush diaphragm with o-ring (Ranges: 0 ... 0.4 bis 0 ... 16 bar)
Model UT-11 EHEDG version	G 1 flush diaphragm with o-ring (Ranges: 0...0.4 bis 0...16 bar) G 1 flush diaphragm with o-ring and cooling element (Ran- ges:0...0.4 bis 0...16 bar)
Materials	
Housing	highly resistive, fiberglass-enforced plastic (PBT); optionally aluminium
Wetted parts (UT-10) (UT-11)	CrNi-steel 1.4571 and 2.4711 CrNi-steel 1.4571, o-ring: NBR {FPM/FKM or EPDM}; {Hastelloy C4}
Internal transmission fluid	Standard {Halocarbon oil for oxygen-applications}; {FDA-approved}

Electrical connection per EN 60 529/ IEC529	M 20 x 1.5 cable gland with internal terminal block (see 4.4) M12x1 plug, 4-pin (pin allocation: 1+ 3-) [3/4" NPT female conduit (only with aluminium case)]
Electric protection	Reverse polarity, overload and short circuit protection

3.4 Auxilliary Power

Power supply	12 ... 36 V DC
--------------	----------------

3.5 Ambient Conditions

$$^{\circ}\text{F} = (^{\circ}\text{C} * 1.8) + 32$$

Ambient temperature	- 40 °C ... + 85 °C (- 20 °C ... 70 °C with display)
Storage temperature	- 40 °C ... + 85 °C (- 35 °C ... 80 °C with display)
Climate class	D per DIN IEC 654-1
Ingress protection per EN 60 529	IP 65 with plastic case IP 67 with aluminum case
CE-conformity	Interference emission and immunity see EN 61326 (also fulfills NAMUR NE 21) 97/23 EG Pressure Equipment Directive (Module H)

3.6 Process Conditions

$$^{\circ}\text{F} = (^{\circ}\text{C} * 1.8) + 32$$

Medium temperature G 1 1/2	- 30 °C ... + 105 °C (up to 30 min. 140 °C at an ambient temperature of < 50 °C)
G 1 EHEDG with cooling element	-30 °C ... + 150 °C

3.7 Identification Plates (example)

The image shows a rectangular identification plate for a WIKAI Transmitter UT-10. The plate contains the following information:

- WIKAI** logo and **CE** mark at the top.
- Transmitter UT - 10**
- 0 ... 16 bar
- scaled to 0 ... 10 bar
- ⊙→ 4 ... 20 mA
- ⊖→ DC 12 ... 36 V L+ / L- terminals
- S # 0639110
- P # 0639080 1C coded manufacture date
- Code UT - 10 - A - BBK - GD - ZMIAAZ - ZZ
- WIKAI Alexander Wiegand GmbH & Co. KG 63911 Klingenberg Germany

A legend below the plate explains the symbols used:

- ⊙→ : Signal
- ⊖→ : Power supply
- S # : Serial No.
- P # : Product No.
- Code : Ordering Code

4 Installation

The device should be installed/operated in accordance with the regulations of ElexV, the Device Safety Regulation, this operating manual and generally recognized industry standards.

4.1 Pressure Transmitter Installation



Attention

The pressure transmitter's diaphragm should not come into contact with hard or sharp objects.

Installation Using a Weld-on Adapter:

- Insert a filler piece (a pressure transmitter dummy) into the weld-on adapter.
- Weld the adapter into the container/pipe wall (section-weld process).
- Remove the filler piece.
- Install the pressure transmitter in the weld-on adapter.

4.2 Display Unit Upgrades

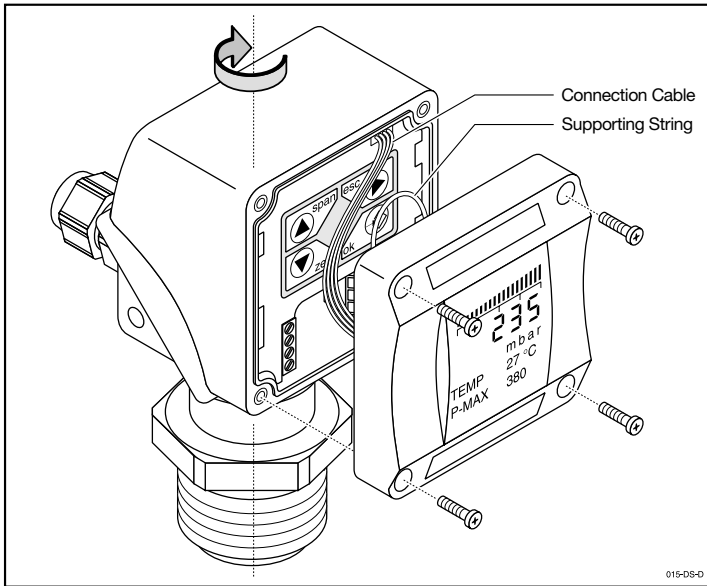
The display unit can be easily upgraded at any time.

- Remove the housing cover and the supporting string.
- Attach the display unit's supporting string to the same place.
- Plug the display unit's connector into the appropriate jack.
The display unit can be mounted at 90° angles.
- Fasten the display unit with screws.



Attention

When installing the display unit, make sure that the connection cable and the supporting string are not kinked or pinched.



All functions are programmable once the pressure transmitter has been upgraded with a display unit. The adjusted parameters are stored after the display unit is removed.

The display unit can be rotated in 300°, so that it can be read under various installation conditions. The housing cover with built-in display can be fastened to the housing at all four side positions.

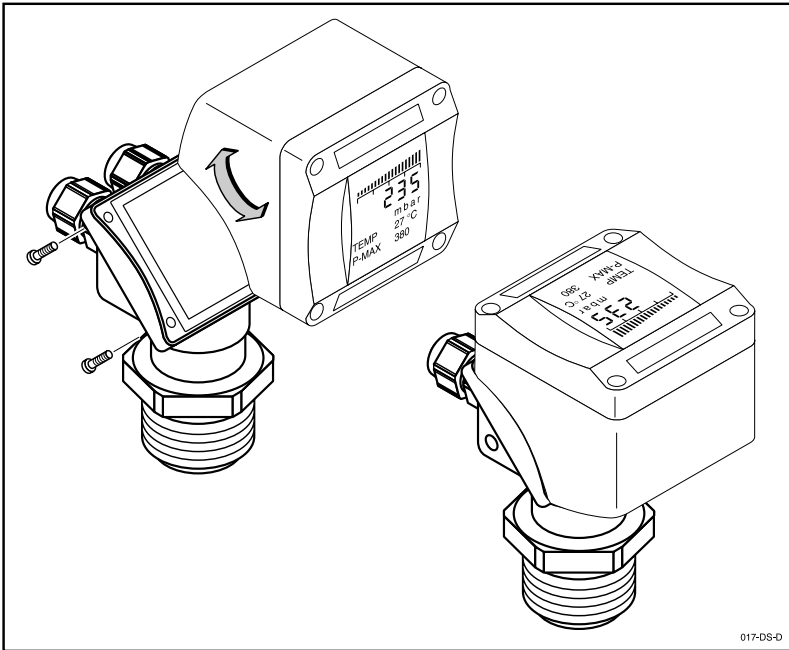
4.3 Housing Reconfiguration

Rotate the housing of the display unit in order to be able to read the display from above when the pressure transmitter is installed in an upright position.

- Loosen the 4 internal hexagonal screws.
- Lightly lift off the housing with the display unit.
- Carefully turn the housing by 180°.
- Re-tighten the screws.



When tightening the 4 hollow screws, make sure that they are adequately and securely seated in order to ensure that the transmitter is properly sealed.



017-DS-D

4.4 Electrical Connection



Attention

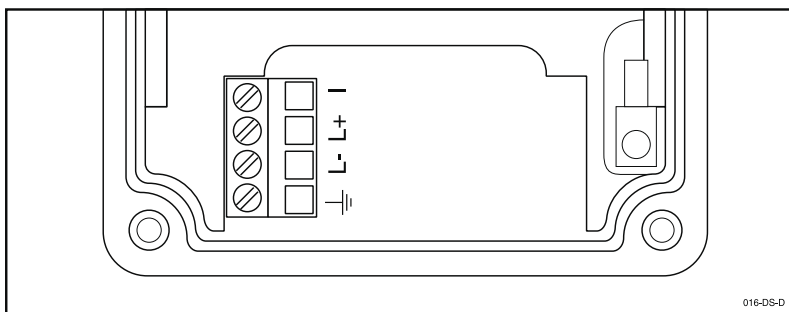
*Please observe local installation regulations (Germany: VDE-Standard).
The terminal voltage should not exceed 36 V.*

The supply voltage is between 12 and 36 V DC. The power supply and the output signal are transmitted via a two-wire cable (max. 12 mm outer diameter, max. 14 AWG) and connected in accordance with the pin configuration.

Supply voltage can be supplied by a power unit, a transmitter power supply or by means of a PLC connection.

It is suggested to use a model with integrated lightning protection for preventing damage due to voltage peaks.

Published 16.2.04

Terminal Configuration


 Ground

L- supply minus (to connect the negative signal line)

L+ supply plus (to connect the positive signal line)

I Test circuit; connect the ampere meter between terminals L+ and I

The unit must be properly grounded in order to guarantee EMC resistance.

4.5 Pressure Compensation when using a Relative Pressure Sensor

A Goretex diaphragm is used to compensate for the atmospheric pressure under the IP 65 Protection Method.

A special cable with capillaries for relative pressurization is used for Ingress Protection IP 67.

5 Operation of Transmitters without Display

5.1 Preparation

This unit can be programmed before or after installation.

- Connect an ampere meter to the device's output (between terminals I and L+).
- Note that after each action, a brief oscillation/deflection of 20 mA occurs (verification of a successful action).

The following functions can be programmed without a display unit:

- Zero point adjustment with a full or empty container (with/without pressure)
- Span adjustment with a full or empty container (with/without pressure)
- Integration time
- Reset to manufacturer's defaults



An error signal is caused by a current surge (21 mA or 3.6 mA; 5 sec) when the zero point or span setting fall outside of the sensor's nominal pressure range during adjustments with existing pressure. No values are stored. The keypad becomes inactive after 10 min. of disuse. All settings will default to previously stored values. Only settings that have been confirmed with the "OK" function are stored.

5.2 Key Functions (only available for transmitters without display)

Function 1		Function 2	
	Basic setting, store span (2 s)		Action: upward, increase value
	Basic setting, store zero point (2 s)		Action: downward, decrease value
	Exit key or programming mode (2 s)	 	Activate keys (push simultaneously for 2 sec.)
	Verification (store) (2 s)	 	Mounting correction of the sensor (push simultaneously for 2 sec.)
 	Basic setting Integration time/damping (push simultaneously for 2 sec.)	 	Reset to default (push simultaneously for 2 sec.)

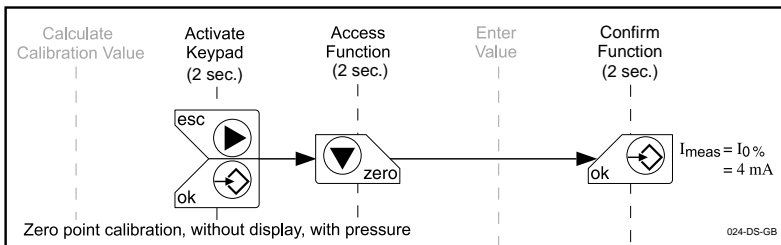
Published 16.2.04

5.3 Calibration with Pressure

5.3.1 Zero Point Calibration



Make sure that the pressure to be used as the zero point (P 0 %), is present at the transmitter diaphragm before calibration.

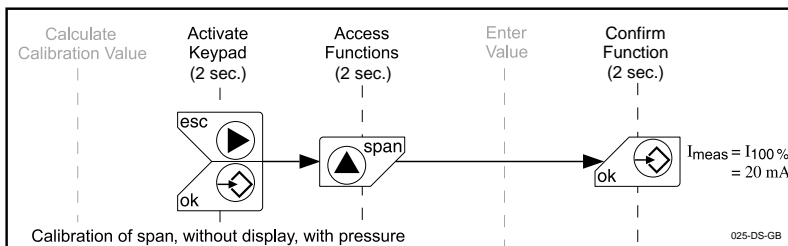


5.3.2 Span Calibration

Calibration of the measurement range (span).



Make sure that the pressure to be used as the span end-point (P 100 %) is present at the transmitter diaphragm. The measuring range between zero and end value of span is saved as span.



A change in the zero point has no effect on the calibrated span. However, if the span end-point is higher than the peak value of the sensor's nominal pressure range, then span end-point is fixed at this peak value and the span is reduced accordingly.

A change in the span setting has no effect on the zero point. The zero point and span end-point must fall within the sensor's nominal pressure range. A mounting correction must not be carried out when making an adjustment with pressure (wet adjustment). Otherwise, the mounting correction must be carried out before saving the zero point and the end value of span.

5.4 Calibration without Pressure

Determine the current reference values for the zero point and the span to be entered in the transmitter before calibration. This is done as follows:

5.4.1 Zero Point Calibration

- Determine the hydrostatic pressure of the liquid's surface that meets the zero point.
- Adjust this pressure in proportion to the sensor's nominal pressure range.
- Multiply this proportion by 16 mA and add 4 mA to the result.

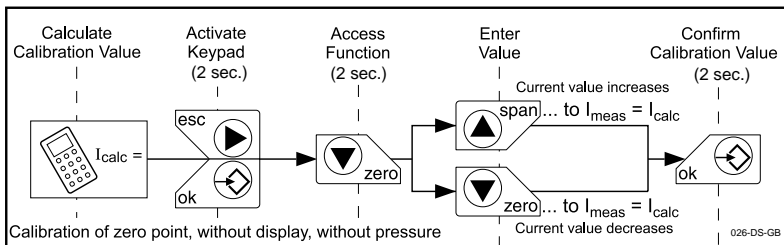
This produces the calculated current (value I_{calc}), which is entered in the transmitter and used to program the zero point (0%).

Example:

A pressure transducer with 0 ... 400 mbar (nominal pressure) needs to be programmed. The liquid's surface (with a density of 1) is 1 m above the diaphragm at the zero point producing a pressure of 100 mbar.

$$I_{calc} = \frac{\text{Zero point pressure (0\%) } 100 \text{ mbar}}{\text{Sensors nominal pressure } 400 \text{ mbar}} \cdot 16 \text{ mA} + 4 \text{ mA} = 8 \text{ mA}$$

This means that the device's current value must be set to 8 mA when performing a dry (empty) calibration.



5.4.2 Span Calibration

- Determine the hydrostatic pressure of the liquid's surface, which corresponds to the span end-point.
- Calculate the difference of the pressure value between span end-point and zero point and divide this difference by the nominal pressure range of the sensor.
- Multiply this proportion by 16 mA and add 4 mA to the result.

This produces the calculated current (value I_{calc}), which is entered in the transmitter and used to program the span end-point (100%).

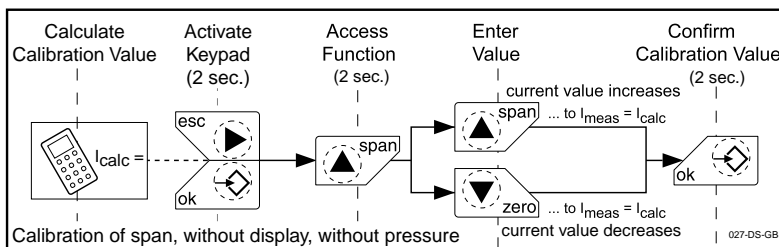
The measurement range between zero point and span end-point will be stored as span.

Example:

A pressure transmitter with 0 ... 400 mbar (nominal pressure) is to be programmed. The liquid's surface (with a density of 1) is 1 m above the diaphragm at the zero point. The maximum (span end-point) should be 3 m. The measuring range (span) is 200 mbar.

$$I_{calc} = \frac{\text{pressure difference (span) (300 mbar - 100 mbar)}}{\text{Sensors nominal pressure 400 mbar}} \cdot 16 \text{ mA} + 4 \text{ mA} = 12 \text{ mA}$$

This means that the output must be set to 12 mA during programming.



A change in the zero point has no effect on the adjusted span. However, if the span end-point is higher than the peak value of the transmitter's nominal pressure range, then the span end-point is fixed at this peak value and the span is reduced accordingly. A change in the span setting has no effect on the zero point. The zero point and span end-point must fall within the transmitter's nominal pressure range.

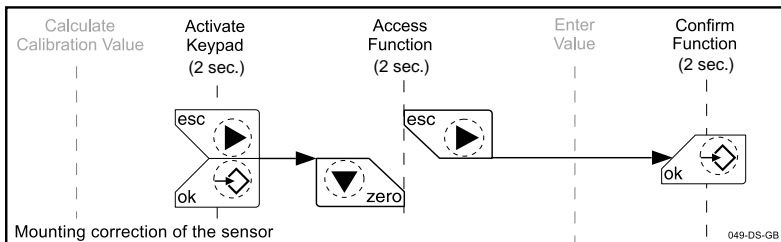


Important

A test / correction of the zero point is suggested after adjusting the span in order to maintain optimum accuracy. A mounting correction should be carried out before or after making an adjustment without pressure (dry adjustment) (see 5.4.3). The transmitter must therefore be placed in the reference position for the measurement (installation site) without pressure on the diaphragm.

5.4.3 Mounting correction of the sensor

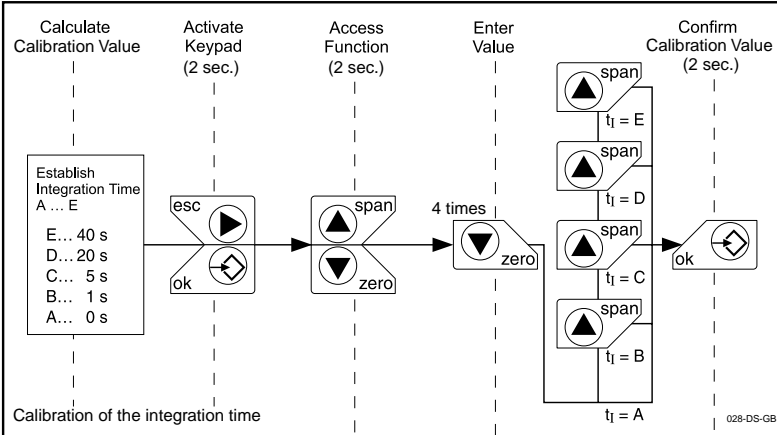
The position of the measuring cell is adjusted by simultaneously pressing (2 sec.) the "zero" and "esc" buttons.



5.5 Integration Time (Damping) Adjustment

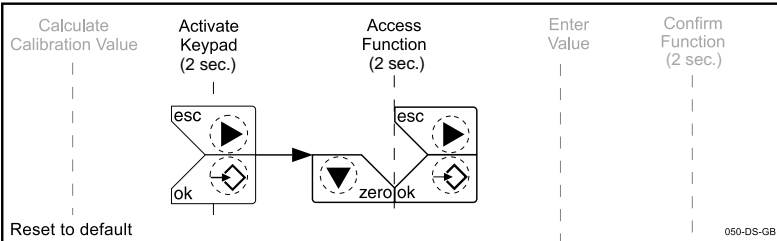
The following integration time settings can be used: 0, 1, 5, 20 and 40 s.

The sensor's measured values can then be averaged using the adjusted integration time.



5.6 Reset to Default

All default data settings are restored by simultaneously pressing the "zero", "esc" and the "ok" buttons for 2 seconds (see chapter 6.4).



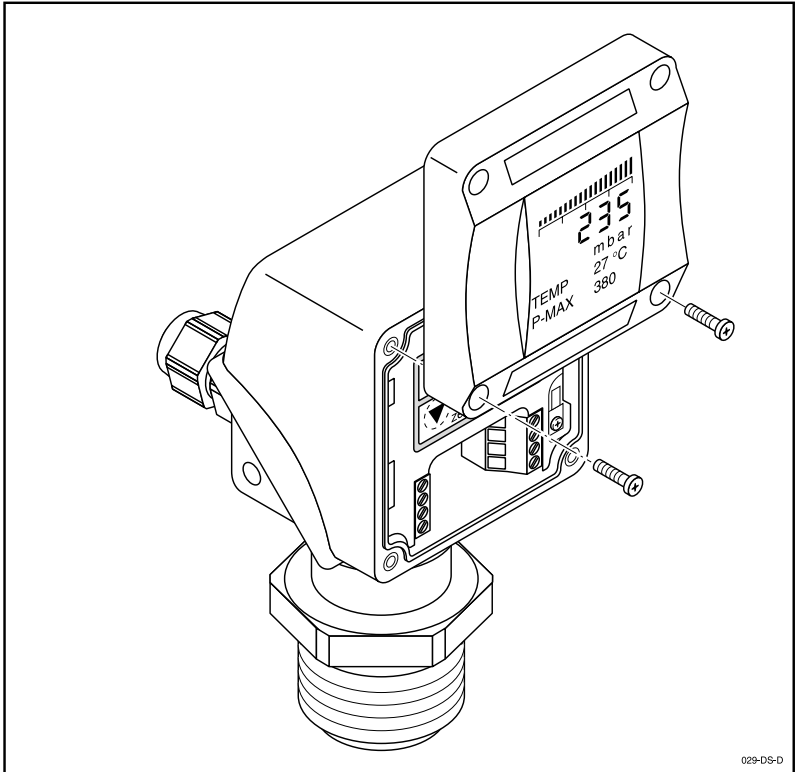
Important

Calibrated special measurement ranges i. e. 4 bar on a 6 bar transmitter can be adjusted by factory pre-setting. A reset to default will reset the sensor back to its nominal range (i. e. 6 bar). The factory pre-setting gets lost.

6 Operation of Transmitters with Display

6.1 The Display

In order to program the device, remove the display with a screwdriver and re-attach it to the housing as shown in the diagram below.



029-DS-D

6.2 Key Functions

Button	Functions		
	Main Menu	Sub-menu	Edit Functions
	back to the previous menu option	back to the previous menu option	increase value
	forward to next menu option	forward to next menu option	decrease value
	back to value display without saving	back to main menu without saving	back without saving
	to the sub-menu	to the edit functions	save value
 	activate keypad (push simultaneously; 2 s)		

6.3 The Programming Mode

The transmitter can be programmed before or after installation.

The keypad is activated and the device can be programmed by simultaneously pressing the "esc" and "ok" keys (for 2 sec.). This method is used to access the main menus. Each main menu has one or more sub-menus and each sub-menu, may have its own sub-menus.



The keypad becomes inactive after 10 min. of disuse. All settings will default to previously stored values. Only settings that have been confirmed with the "OK" function are stored.

A change in the starting measurement (zero point) has no effect on the measurement span. Likewise, a change in the span has no effect on the starting measurement.

An error signal occurs when the zero point or span settings fall outside of the sensor's nominal pressure range during calibration with pressure.

Nothing is saved.

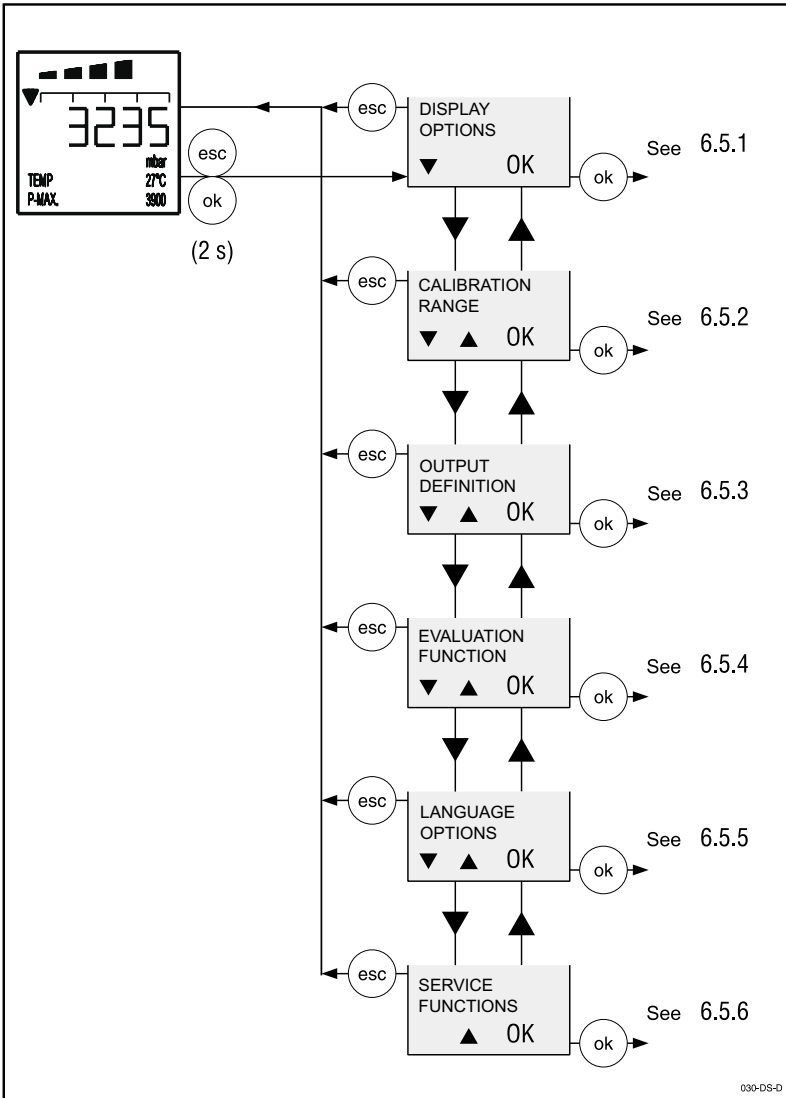
6.4 Default Data (factory settings)

Function		Defaults
Display	Unit of measurement (Line 1) Line 2 Line 3	Pressure display (in bar) Temperature display (in °C) Sensor's nominal pressure range (in bar)
Calibration	zero 4 mA span 20 mA	nom. pressure range start nom. pressure range end
Output	Damping Inversion Fault Limits I-offset	0 s no 21 mA (upscale) 3.8 ... 20.5 mA 0 mA
Service password		no active password
Service mounting correction		not activated
Language		English
Evaluation	linear density	yes 1 g/cm ³


Important

Calibrated special measurement ranges i. e. 4 bar on a 6 bar transmitter can be adjusted by factory pre-setting. A reset to default will reset the sensor back to its nominal range (i. e. 6 bar). The factory pre-setting gets lost.

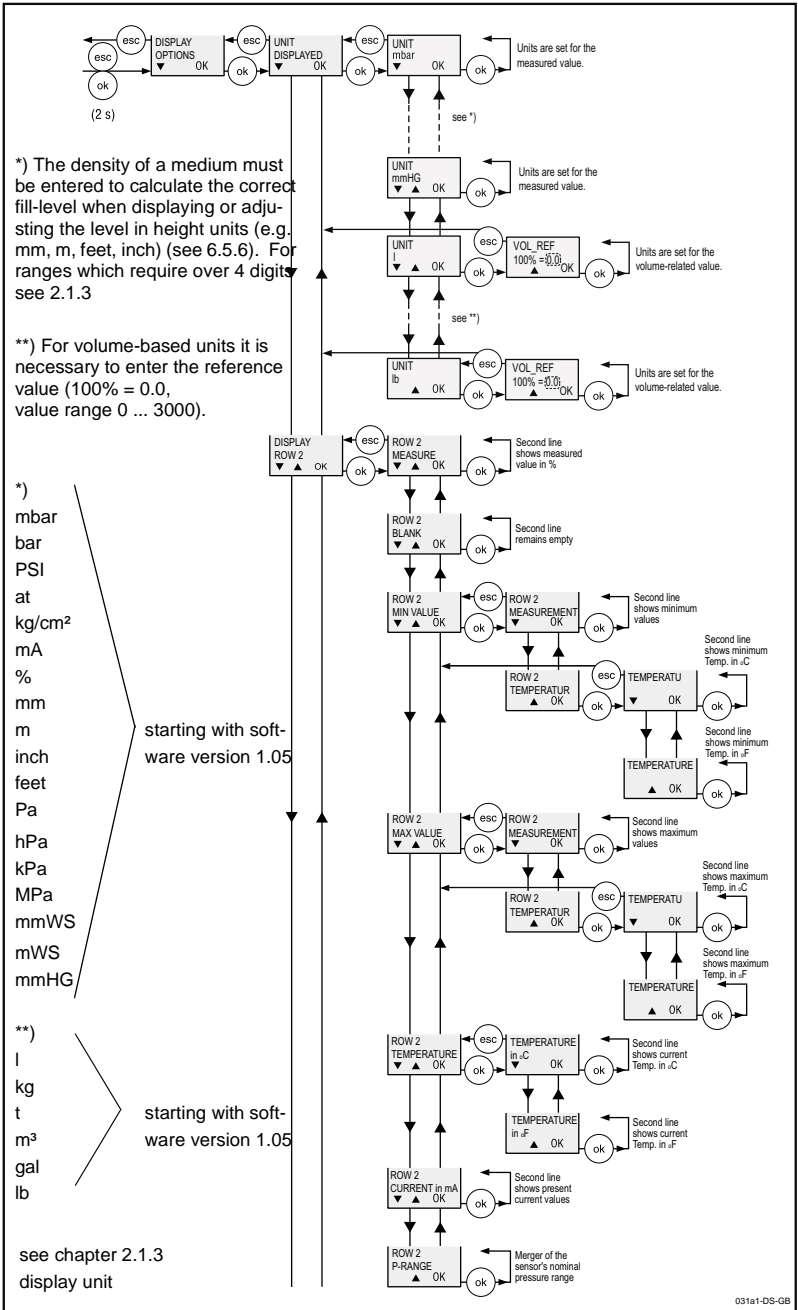
6.5 Main Menu



030-DS-0

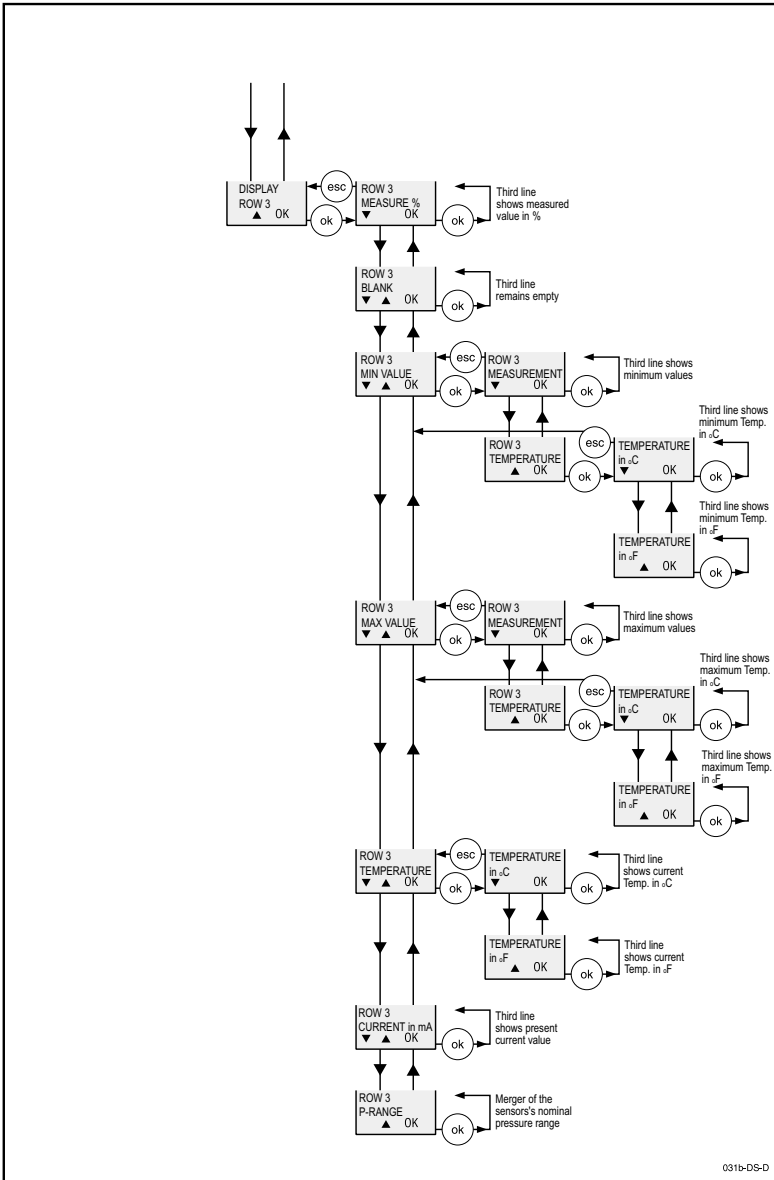
Published 16.2.04

6.5.1 Main Menu: Display

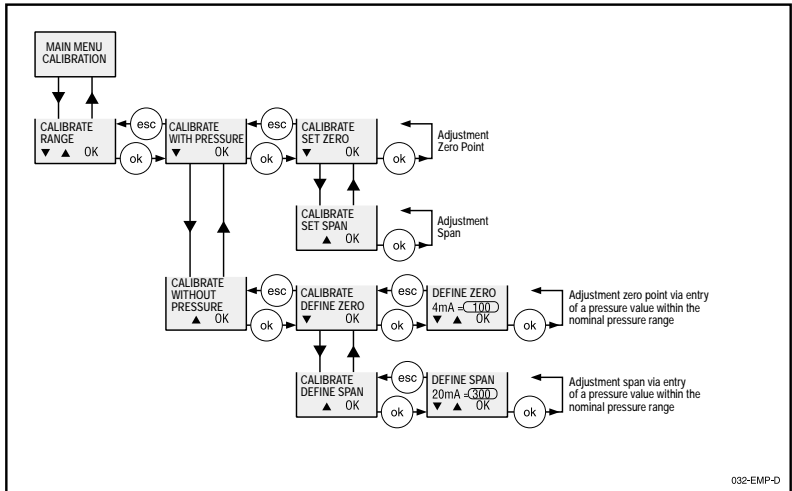


Published 16.2.04

031a1-DS-GB



6.5.2 Main Menu: Calibration of zero and span



A single pressure value is set for the zero point or the span end-point within the sensor's nominal pressure range, and assigned to the associated output current signal when making adjustments with existing pressure. An error signal occurs when the existing pressure lies outside of the sensor's nominal pressure range. The value is not saved in this case.



A mounting correction should be performed before or after making an adjustment without pressure (dry adjustment) (see 6.5.6). The sensor must therefore be placed in the reference position for the measurement (installation site) without pressure on the diaphragm.

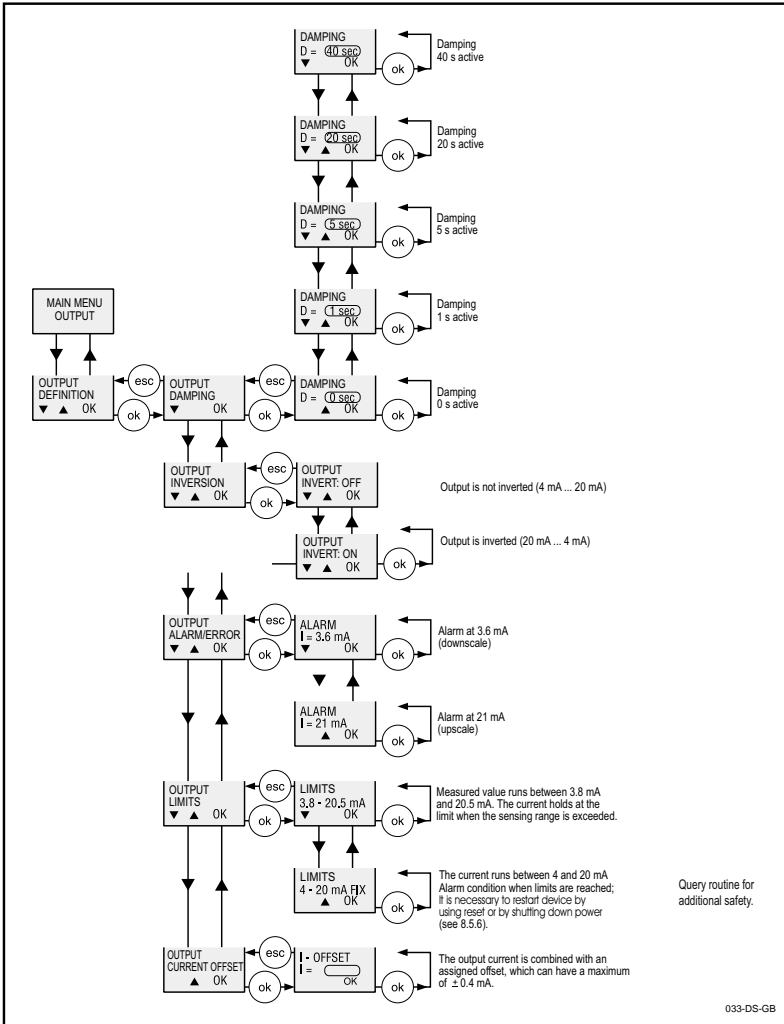


A mounting correction is unnecessary when making an adjustment with pressure (wet adjustment). Otherwise, the mounting correction must be performed before saving the zero point and span end-point.



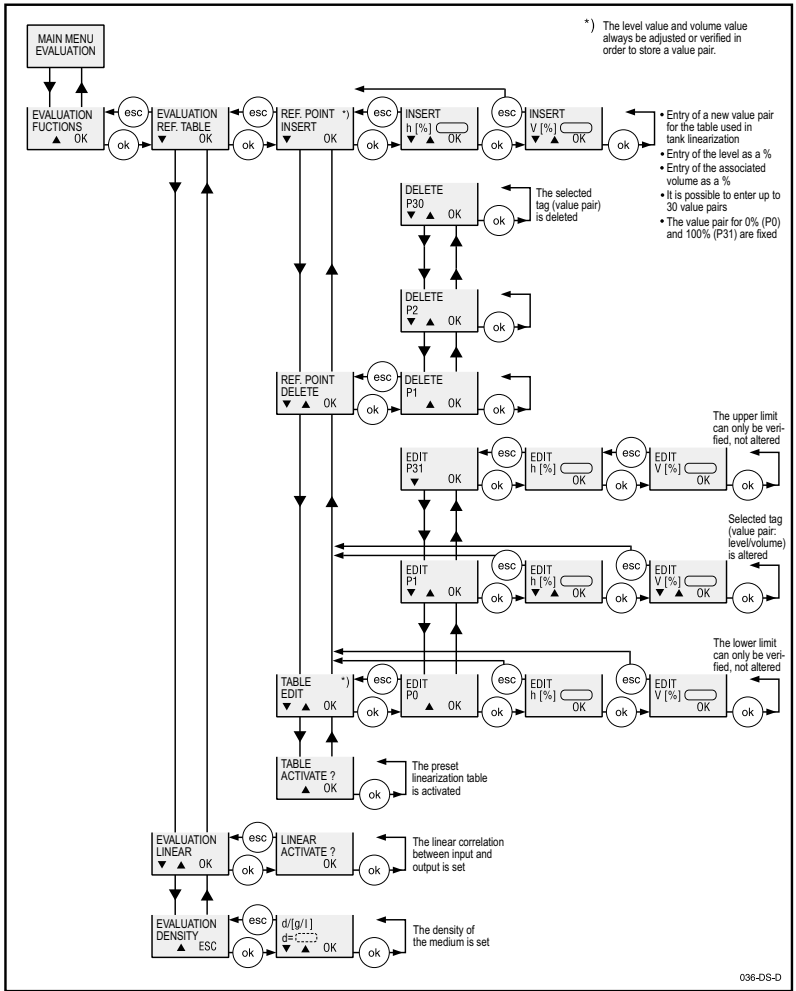
A test / correction of the zero point is suggested after adjusting the span in order to maintain optimum accuracy.

6.5.3 Main Menu: Output



Published 16.2.04

6.5.4 Main Menu: Evaluation



Enter height values, which are each assigned a volumetric value of measure for tank linearization. The linearization and the assignment of the 4 ... 20 mA output signal are reconverted into tank volumes using this value pair.



When the evaluations function is activated the Turn down becomes inactive



Please check the following if "Wrong Entry" appears in the Evaluation menu:

- whether or not more than 32 value pairs are entered in the table for tank linearization (please note: P 0 and P 31 are fixed at 0% and 100% respectively)
- whether or not an existing height value was tried to be stored again
Please enter correct values.

Example:

Level 100 %: 4000 mm

Density: 1 g/cm³

Density correction: 0.9 g/cm³

Span end point: $\frac{4000 \text{ mm} \cdot 1 \text{ g/cm}^3}{0.9 \text{ g/cm}^3} = 4444 \text{ mm}$

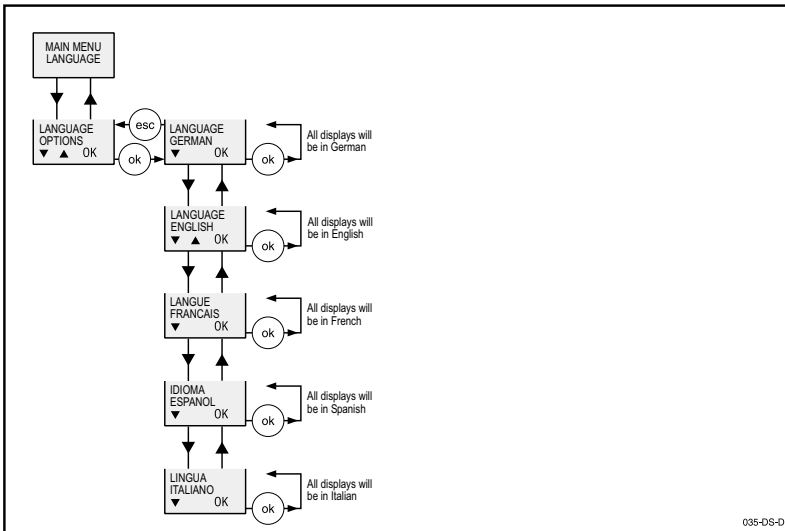
The span (end-point) must be re-calibrated (with or without pressure) to 4000 mm in order to prevent a 4000 mm level tank from being overfilled.



Important

A change or correction in the density causes a change in the span end-point's unit of measure (mm, m, inch, feet). The span end-point must be re-calibrated when changing the medium to be measured (due to a change in density).

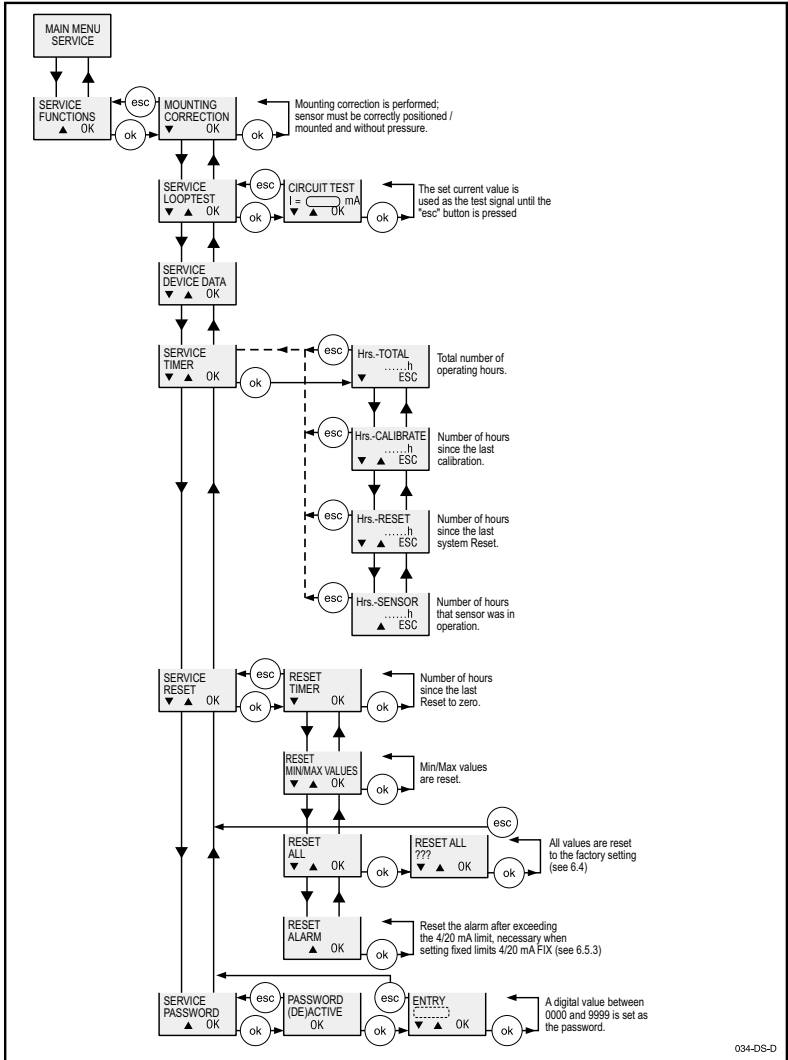
6.5.5 Main Menu: Language



035-DS-D

Published 16.2.04

6.5.6 Main Menu: Service



034-DS-0

7 Diagnostics and Service



If a failure cannot be repaired, the transmitter must be switched off. The operator then must make sure, that it is only switched on again after the failure has been repaired.

Repairs should only be carried out by the manufacturer. All other repairs or modifications are unauthorized.

The following error messages can appear on devices with displays (see chapter 2.1.3):

Error Code	Error	Error Correction Measures
E00	ROM-error	Return device to manufacturer
E01	Power supply error	Check power supply
E03	E ² PROM communications error	Disconnect and reconnect power supply
E04	Sensor's temperature range was exceeded	Return sensor's temperature to specified limits
E06	Sensor recognition	Disconnect and reconnect power supply
E07	General communications error between the sensor and the control interface unit	Check the connection between the sensor and the control interface unit
E08	Error E ² PROM	send in transmitter for service

8 Disposal

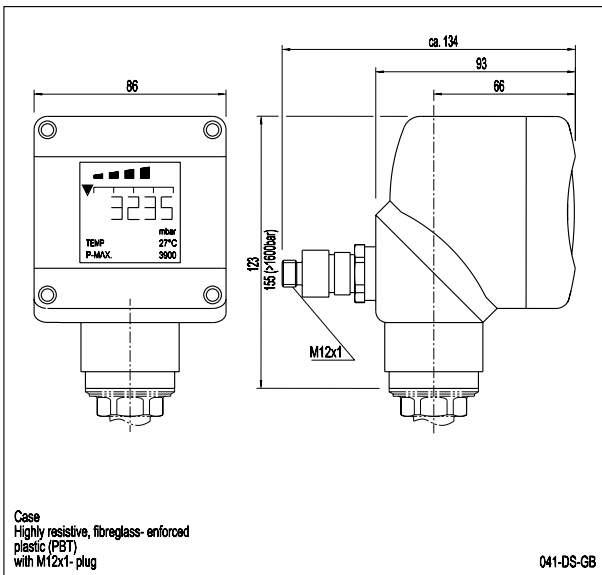
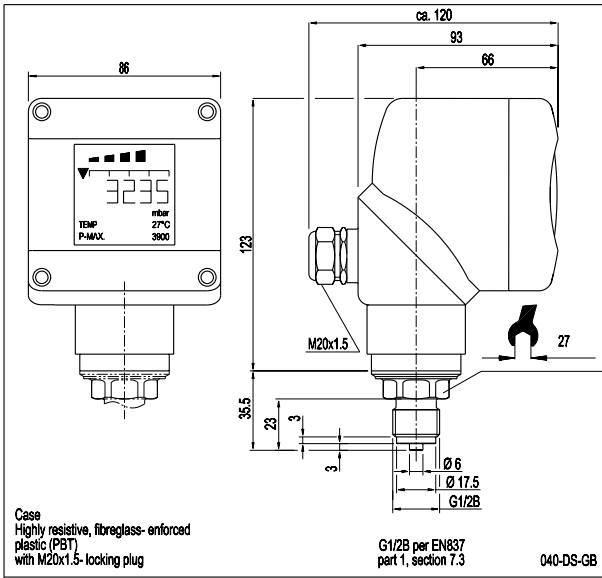


Please observe local guidelines and regulations when disposing of transmitters that are no longer serviceable.

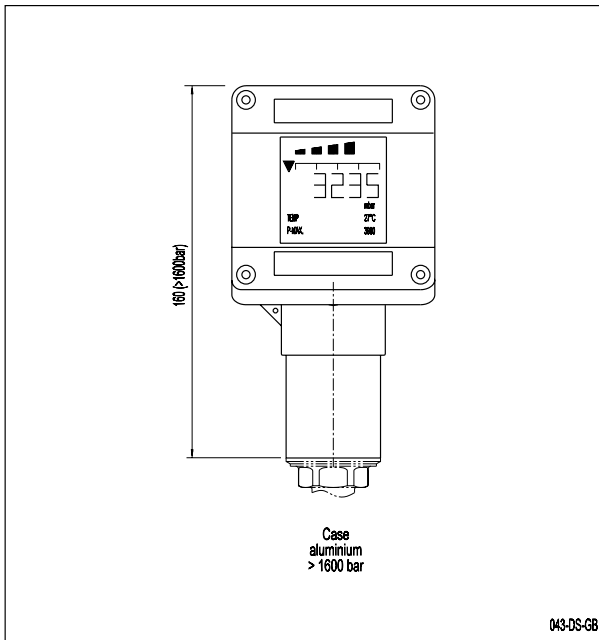
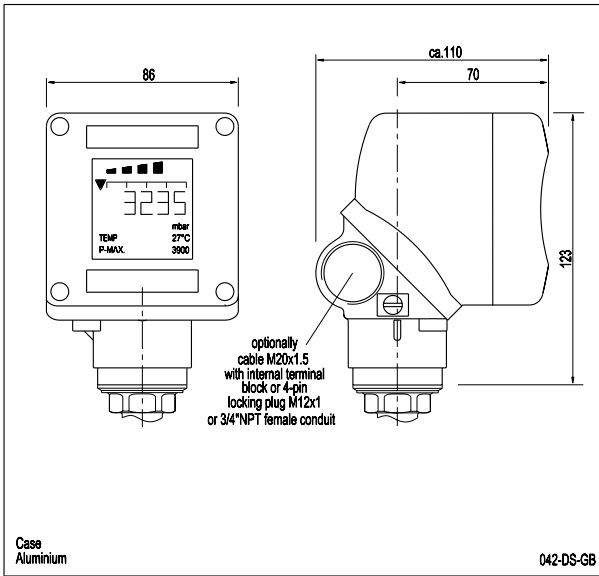
Important Please turn any recycleable components in to the appropriate local organizations.

9 Appendix

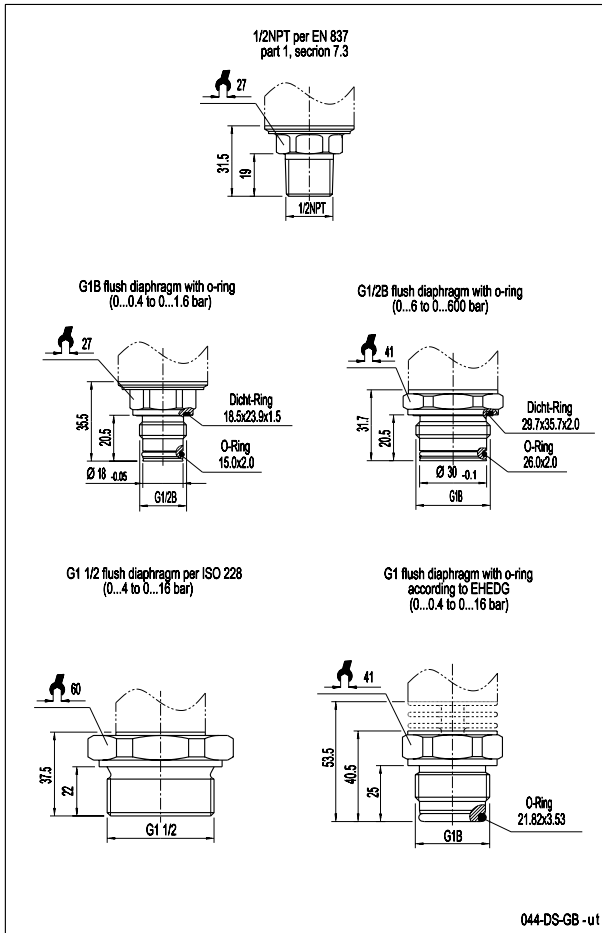
9.1 Dimension Diagrams

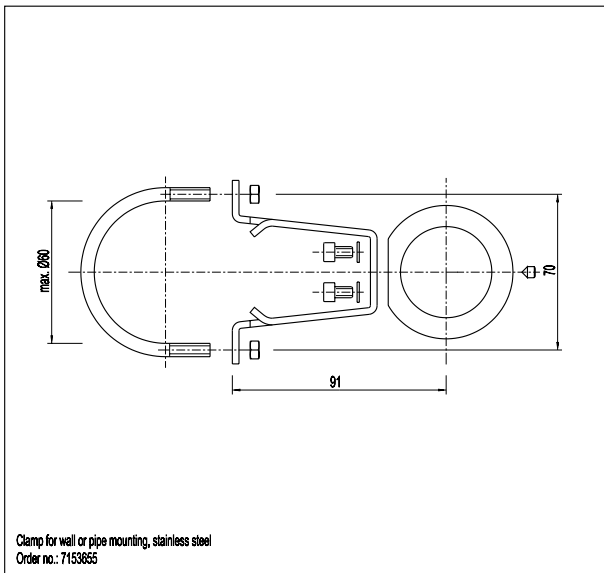
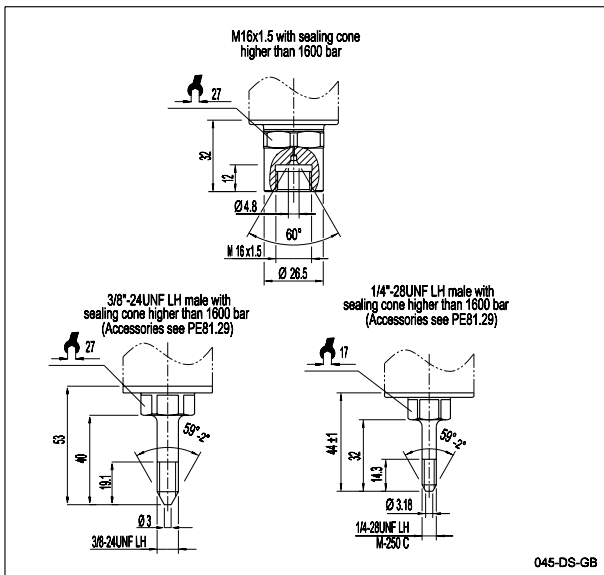


Published 16.2.04



Published 10-2-04





Published 16.2.04

9.2 Model Key

		Unit	
	B	bar	
1	S	bar absolut <i>bis 16 bar abs</i>	
		Pressure range	
	CA	-1 bar ... 0 bar	BM 0 bar ... 40 bar
	CD	-1 bar ... 0,6 bar	BO 0 bar ... 100 bar
	CH	-1 bar ... 3 bar	BQ 0 bar ... 250 bar
	CK	-1 bar ... 5 bar	BT 0 bar ... 600 bar
	CP	-1 bar ... 15 bar	BU 0 bar ... 1000 bar
	BB	0 bar ... 0,4 bar / bar absolut	BV 0 bar ... 1600 bar ¹⁾ <i>only with aluminum case</i>
	BE	0 bar ... 1,6 bar / bar absolut	BX 0 bar ... 2500 bar ¹⁾ <i>only with aluminum case</i>
	BH	0 bar ... 6 bar / bar absolut	BZ 0 bar ... 4000 bar ¹⁾ <i>only with aluminum case</i>
2	BK	0 bar ... 16 bar / bar absolut	
		Process connection	
	GD	G ½ B	
	ND	½ NPT	
	ML	M16 x 1,5 female, with sealing cone ²⁾	> 1600 bar
	VS	3/8-24 UNF LH male	> 1600 bar
3	CS	chemical seal <i>prices and designs according to chemical seals product range</i>	
		Special design features	
	Z	without	
	E	oil and grease free	
	A	oxygen, oil and grease free <i>up to 1600 bar abs, max. medium temperature 60°C</i>	
	G	suitable for food	
4	O	overvoltage protection according to IEC 801-5	
		Case material	
	M	highly resistive, fiberglass-enforced plastic (PBT)	<i>Ingress protection IP 65</i>
5	A	Aluminium	<i>Ingress protection IP 67</i>
		Electrical connection	
	A	cable gland M20x1.5 with internal terminal block	<i>standard</i>
6	M	4 pin locking plug M12x1	
		Digital display	
	Z	without	
7	A	with integrated 4-digit LCD-display	
		Approvals	
	Z	without	
8	?	others	
		Additional order info	
	YES	NO	
9	1	Z	quality certificates
10	T	Z	additional text

- 1) with accuracy 0.5 % only; max. Turn down 2:1
- 2) please make sure to consider the max. pressure admissible for your respective high pressure tube (see manufacturers specification for the high pressure tube)

Order code:

UT-10	-	A	-	1	2	-	3	-	4	5	S	6	7	8	-	9	10
				<input type="text"/>	<input type="text"/>		<input type="text"/>		<input type="text"/>	<input type="text"/>		<input type="text"/>	<input type="text"/>	<input type="text"/>		<input type="text"/>	<input type="text"/>

Published 16.2.04

		Unit	
1	<input type="checkbox"/>	B	bar
	<input type="checkbox"/>	S	bar absolut <i>bis 16 bar abs</i>
Pressure range			
		CA	-1 bar ... 0 bar
		BH	0 bar ... 6 bar / bar absolut
		CD	-1 bar ... 0,6 bar
		BK	0 bar ... 16 bar / bar absolut
		CH	-1 bar ... 3 bar
		BM	0 bar ... 40 bar
		CK	-1 bar ... 5 bar
		BO	0 bar ... 100 bar
		CP	-1 bar ... 15 bar
		BQ	0 bar ... 250 bar
		BB	0 bar ... 0,4 bar / bar absolute
		BT	0 bar ... 600 bar
2	<input type="checkbox"/>	BE	0 bar ... 1,6 bar / bar absolute
Process connection			
		85	G 1 B, flush diaphragm with O-ring <i>up to 1.6 bar</i>
		86	G ½ B flush diaphragm with O-Ring <i>> 1.6 bar</i>
		G6	G 1 ½ B flush diaphragm <i>up to 16 bar</i>
		83	G 1 flush diaphragm according to EHEDG ¹⁾ <i>up to 16 bar</i>
3	<input type="checkbox"/>	84	G 1 flush diaphragm up to +150 °C according to EHEDG ¹⁾ <i>up to 16 bar</i>
Material of wetted parts			
		1	stainless steel and O-ring from NBR <i>G 1 1/2 without O-ring</i>
		L	stainless steel and O-ring from FPM/FKM
		B	stainless steel and O-ring from EPDM
4	<input type="checkbox"/>	S	Hastelloy C4
Special design features			
		Z	without
		E	oil and grease free
		A	oxygen, oil and grease free <i>up to 100 bar, max. medium temperature 60°C</i>
		G	suitable for food
5	<input type="checkbox"/>	O	overvoltage protection according to IEC 801-5
Case material			
		M	highly resistive, fiberglass-enforced plastic (PBT) <i>Ingress protection IP 65</i>
6	<input type="checkbox"/>	A	Aluminium <i>Ingress protection IP 67</i>
Electrical connection			
		A	cable gland M20x1.5 with internal terminal block <i>standard</i>
7	<input type="checkbox"/>	M	4 pin locking plug M12x1
Digital display			
		Z	without
8	<input type="checkbox"/>	A	with integrated 4-digit LCD-display
Approvals			
		Z	without
9	<input type="checkbox"/>	?	other
Additional order info			
		YES	NO
10	<input type="checkbox"/>	1	Z quality certificates
11	<input type="checkbox"/>	T	Z additional text

1) not with "Special design features" Code A

Order code:

UT-11	-	A	-	1	2	-	3	-	4	5	6	S	7	8	9	-	10	11
-------	---	---	---	---	---	---	---	---	---	---	---	---	---	---	---	---	----	----

Published 16.2.04

9.3 Warranty Conditions

The pressure transmitter has a 24 month warranty in accordance with the WIKA General Terms of Delivery.



Attention

Repairs may only be carried out by the manufacturer. All other repairs and device modifications are unauthorized and will void the warranty.

9.4 Glossary

Adjustment	Allocation of the signal output range (4 ... 20 mA) to the desired pressure measurement range or level measurement range.
Integration	Also damping: timely communication of the measurement signal; rise time of the current output signal after a signal surge
Inversion	Conversion of the output signal from 4 ... 20 mA to 20 ... 4 mA
Nom. pressure range	The operating pressure range for which the sensor was designed
Zero point	Start of the pressure measurement range
Parameterization	Also configuration: programming of the relevant parameters and the pressure measurement range specific to the application and measurement location.
Span	The programmed pressure measurement range
Span end point	The highest pressure value of the programmed measurement span (end-point of the span)
Tank linearization	Determination of approximate volume/pressure ratio values with non-linear correlations based on varying container designs For example, a non-linear correlation exists between the fill level and the volume in spherical containers. During linearization, the non-linear volume is assigned the 4 ... 20 mA output signal from a table of values (proximity process by means of up to 32 support points).
Defaults	The sensor parameters are pre-programmed by the manufacturer

9.5 Units of Pressure Measurement

1 atm (atmospheres)	= 760 mm Hg = 760 Torr = 1.033 kp/cm ² = 0.1013 MPa
1 Torr	= 133.3 Pa
1 kp/mm ²	= 9.81 N/mm ² = 9.81 MPa
1 bar	= 0.1 MPa
1 mbar	= 1 hPa (Hektopascal)
1 psi (pound per square inch)	= 6.895 · 10 ³ Pa
1 bar	= 33.5 feet of water
1 PA	= 1.0 x 10 ⁻⁵ bar
1 mmHG	= 1.333 mbar