

**OBSOLETE**

Operating instructions  
Betriebsanleitung  
Mode d'emploi  
Manual de instrucciones

Flow switch, model FSD-3

EN

Strömungsschalter, Typ FSD-3

DE

Capteur de débit, type FSD-3

FR

Detector de caudal, modelo FSD-3

ES



Flow switch, model FSD-3

**WIKAL**

Part of your business

<b>EN</b>	<b>Operating instructions model FSD-3</b>	<b>Page</b>	<b>3 - 34</b>
<b>DE</b>	<b>Betriebsanleitung Typ FSD-3</b>	<b>Seite</b>	<b>35 - 66</b>
<b>FR</b>	<b>Mode d'emploi type FSD-3</b>	<b>Page</b>	<b>67 - 98</b>
<b>ES</b>	<b>Manual de instrucciones modelo FSD-3</b>	<b>Page</b>	<b>99-131</b>

© 09/2016 WIKA Alexander Wiegand SE & Co. KG  
All rights reserved. / Alle Rechte vorbehalten.  
WIKA® is a registered trademark in various countries.  
WIKA® ist eine geschützte Marke in verschiedenen Ländern.

Prior to starting any work, read the operating instructions!  
Keep for later use!

Vor Beginn aller Arbeiten Betriebsanleitung lesen!  
Zum späteren Gebrauch aufbewahren!

Lire le mode d'emploi avant de commencer toute opération !  
A conserver pour une utilisation ultérieure !

¡Leer el manual de instrucciones antes de comenzar cualquier trabajo!  
¡Guardar el manual para una eventual consulta!

## Contents

<b>1. General information</b>	<b>4</b>
<b>2. Design and function</b>	<b>5</b>
<b>3. Safety</b>	<b>7</b>
<b>4. Transport, packaging and storage</b>	<b>10</b>
<b>5. Commissioning, operation</b>	<b>11</b>
<b>6. Faults</b>	<b>22</b>
<b>7. Maintenance and cleaning</b>	<b>24</b>
<b>8. Dismounting, return and disposal</b>	<b>25</b>
<b>9. Specifications</b>	<b>27</b>
<b>10. Accessories and spare parts</b>	<b>32</b>

Declarations of conformity can be found online at [www.wika.com](http://www.wika.com)

# 1. General information

## 1. General information

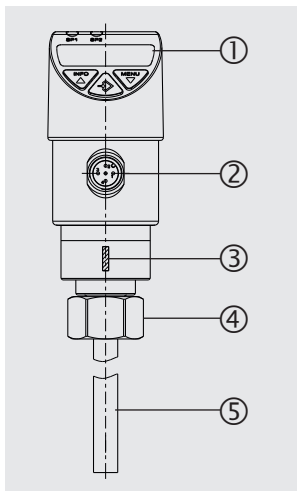
- The instrument described in the operating instructions has been designed and manufactured using state-of-the-art technology. All components are subject to stringent quality and environmental criteria during production. Our management systems are certified to ISO 9001 and ISO 14001.
- These operating instructions contain important information on handling the instrument. Working safely requires that all safety instructions and work instructions are observed.
- Observe the relevant local accident prevention regulations and general safety regulations for the instrument's range of use.
- The operating instructions are part of the product and must be kept in the immediate vicinity of the instrument and readily accessible to skilled personnel at any time. Pass the operating instructions on to the next operator or owner of the instrument.
- Skilled personnel must have carefully read and understood the operating instructions prior to beginning any work.
- The general terms and conditions contained in the sales documentation shall apply.
- Subject to technical modifications.
- Further information:
  - Internet address: [www.wika.de](http://www.wika.de) / [www.wika.com](http://www.wika.com)
  - Relevant data sheet: FL 80.01
  - Application consultant: Tel.: +49 9372 132-8976  
Fax: +49 9372 132-8008976  
[support-tronic@wika.de](mailto:support-tronic@wika.de)

EN

## 2. Design and function

## 2. Design and function

### 2.1 Overview



- ① Display and control panel
- ② Electrical connection
- ③ Installation mark
- ④ Process connection, spanner flats
- ⑤ Probe

EN

## 2. Design and function

### 2.2 Functional description

The flow switch works by the calorimetric principle and is used to convert the flow rate into an electric signal. The instrument shows the flow rate in per cent on the digital display. Optionally, the instrument measures the medium temperature.

The instrument can output up to 2 output signals as parameterised.

- Switching signal for flow limit values
- Switching signal for temperature limit values
- Switching signal for diagnostic function
- Analogue signal flow
- Analogue signal temperature

### 2.3 Scope of delivery

- Flow switch
- Operating instructions
- Accessories process connection (optional)
- Further certificates (optional)

Cross-check scope of delivery with delivery note.

## 3. Safety

### 3. Safety

#### 3.1 Explanation of symbols



##### **WARNING!**

... indicates a potentially dangerous situation that can result in serious injury or death, if not avoided.



##### **CAUTION!**

... indicates a potentially dangerous situation that can result in light injuries or damage to equipment or the environment, if not avoided.



##### **Information**

... points out useful tips, recommendations and information for efficient and trouble-free operation.

#### 3.2 Intended use

The flow switch has been designed and built solely for the intended use described here, and may only be used accordingly.

- Conversion of flow rates into an electric signal.
- No assembly in downpipes open towards the bottom.
- Use in buildings and outdoors (avoid high ambient temperatures and direct UV irradiation).
- Ambience with max. pollution degree of 3.
- Voltage supply of overvoltage category II.
- Ambient temperature between -20 ... +80 °C.
- Medium temperature between -20 ... +85 °C.
- Relative humidity between 45 ... 75 % r. h.
- Use for commercial purposes in industrial environment.

EN

## 3. Safety

The flow switch is used for monitoring flow losses and dry run. With analogue signal the flow switch should only be used as a trend indicator, in order to monitor process changes, such as filter blocking.

Only use the flow switch in applications that lie within its technical performance limits.

→ For performance limits see chapter 9 "Specifications".

EN

Refrain from unauthorised modifications to the flow switch.

Any use beyond or different to the intended use is considered as improper use.

The manufacturer shall not be liable for claims of any type based on operation contrary to the intended use.

### 3.3 Personnel qualification

#### Skilled personnel

Skilled personnel, authorised by the operator, are understood to be personnel who, based on their technical training, knowledge of measurement and control technology and on their experience and knowledge of country-specific regulations, current standards and directives, are capable of carrying out the work described and independently recognising potential hazards.

Special operating conditions require further appropriate knowledge, e.g. of aggressive media.

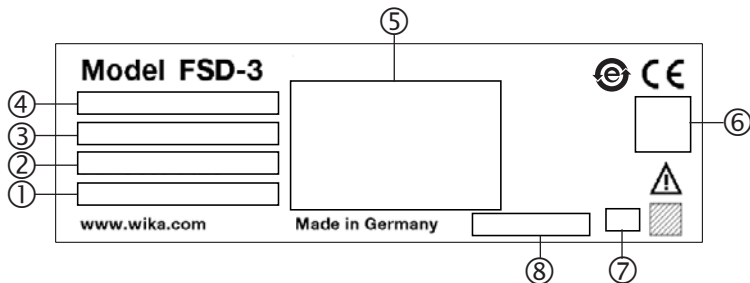


## 3. Safety

### 3.4 Labelling, safety marks

#### Product label

If the serial number becomes illegible due to mechanical damage or overpainting, traceability will no longer be possible.



- |                                 |   |
|---------------------------------|---|
| ① S# Serial no.                 | ⑤ Pin assignment (incl. specifications) |
| ② P# Product no.                | ⑥ Approvals                             |
| ③ Measuring range (temperature) | ⑦ Coded date of manufacture             |
| ④ Measuring range (flow)        | ⑧ Max. pressure limitation              |



Before mounting and commissioning the instrument, ensure you read the operating instructions!



DC voltage

## 4. Transport, packaging and storage

### 4. Transport, packaging and storage

#### 4.1 Transport

Check the flow switch for any damage that may have been caused by transport.

Obvious damage must be reported immediately.

#### 4.2 Packaging and storage

Do not remove packaging until just before mounting.

Keep the packaging as it will provide optimum protection during transport (e.g. change in installation site, sending for repair).

#### Permissible conditions at the place of storage:

- Storage temperature: -20 ... +80 °C
- Humidity: 45 ... 75 % relative humidity (no condensation)

#### Avoid exposure to the following factors:

- Direct sunlight or proximity to hot objects
- Mechanical vibration, mechanical shock (putting it down hard)
- Soot, vapour, dust and corrosive gases
- Humid or wet environment
- Hazardous environments, flammable atmospheres

EN

## 5. Commissioning, operation

### 5. Commissioning, operation

#### 5.1 Mechanical mounting

Only use the flow switch if it is in perfect condition with respect to safety.

Prior to commissioning, the flow switch must be subjected to a visual inspection.

Commissioning and operation of the instrument may only be carried out by skilled personnel, see chapter 3.3 "Personnel qualification".

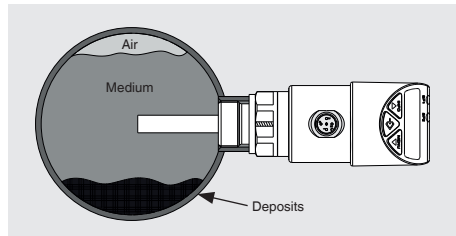
EN

##### 5.1.1 Requirements for mounting point

The mounting position and probe length are extremely important for the quality and reliability of the measuring results.

The mounting point must meet the following conditions:

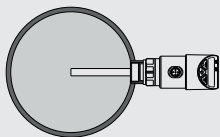
- Sealing faces are clean and undamaged.
- Sufficient space for a safe electrical installation.
- For information on tapped holes and welding sockets, see Technical information IN 00.14 at [www.wika.com](http://www.wika.com).
- Permissible ambient and medium temperatures remain within the performance limits. Consider possible restrictions on the ambient temperature range caused by mating connector used.
  - For performance limits see chapter 9 "Specifications"
- The probe tip must be completely surrounded by medium.
- Position the probe tip in the area of maximum flow rate (pipe centre).
- The minimum immersion depth of the probe is  $L \geq 16$  mm.
- The probe tip must not touch the opposite wall.



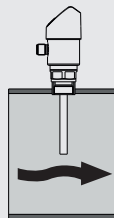
## 5. Commissioning, operation

### 5.1.2 Recommended mounting positions

#### Horizontal pipes

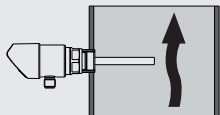


Only if the pipeline is free from deposits.



Only if the pipeline is completely filled with medium.

#### Risers and vertical pipes



Mounting the flow switch in downpipes open towards the bottom is forbidden. This use does not comply with the intended use.

## 5. Commissioning, operation

### 5.1.3 Probe alignment

During mechanical assembly of the FSD-3, make sure that the installation mark points in the opposite direction of the flow direction of the medium.

### 5.1.4 Sealing

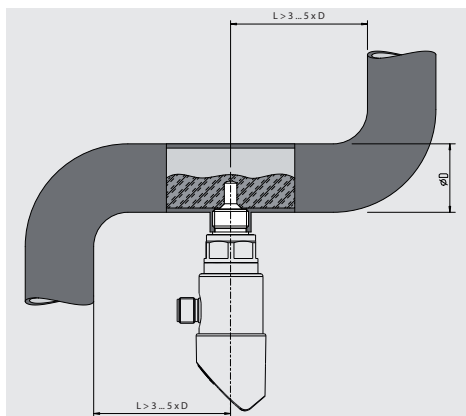
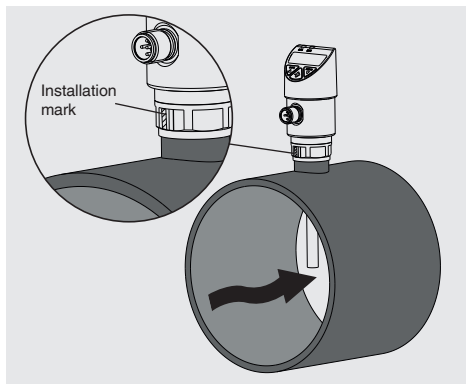
For sealing the process connections with parallel threads, use flat gaskets, lens-type sealing rings or WIKA profile sealings at the sealing face. With a tapered thread (e.g. NPT thread), sealing is made in the thread using additional sealing materials, e.g. PTFE tape (EN 837-2).



For further information on seals see WIKA data sheet AC 09.08 or at [www.wika.com](http://www.wika.com).

### 5.1.5 Disturbing interferences in the piping system

For correct measurement, the flow switch requires a fully characterised flow profile. This is why calming sections must be provided in the pipeline after a pump, a pipe elbow, installed parts and changes in cross-section.



EN

## 5. Commissioning, operation

### 5.1.6 Mounting the instrument



The max. torque depends on the mounting point (e.g. material and shape). If you have any questions, please contact our application consultant.  
→ For contact details see chapter 1 "General information" or the back page of the operating instructions.

EN

If a process connection adapter (optional) is used, first screw it into the mounting point by hand and then tighten it using a torque spanner. Use enclosed sealing.

1. Depressurise the system and switch off the flow.
2. Seal the process connection (→ see "Sealing variants").
3. At the mounting point, screw the flow switch in hand-tight.
4. Tighten with a torque spanner using the spanner flats.

### 5.2 Electrical mounting

#### Requirements for voltage supply

Power supply: DC 15 ... 35 V

The power supply for the flow switch must be made via an energy-limited electrical circuit in accordance with section 9.3 of UL/EN/IEC 61010-1 or an LPS to UL/EN/IEC 60950-1 or class 2 in accordance with UL1310/UL1585 (NEC or CEC). The voltage supply must be suitable for operation above 2,000 m above sea level, should the flow switch be used at this altitude.

#### Requirement for shielding and grounding

The flow switch must be shielded and grounded in accordance with the grounding concept of the plant. The instrument must be grounded via the process connection.

#### Connecting the instrument

1. Assemble the mating connector.  
→ see pin assignment
2. Establish the plug connection.

## 5. Commissioning, operation

### Pin assignment

#### Circular connector M12 x 1 (4-pin)



U+	1
U-	3
S+	2
SP1	4
SP2	2

#### Legend:

U+	Positive power supply terminal
U-	Negative power supply terminal
SP1	Switching output 1
SP2	Switching output 2
S+	Analogue output

EN

## 5. Commissioning, operation

### 5.3 Operating modes

#### System start

- Display is fully activated for 2 seconds.
- When the flow switch is powered up within the range of the hysteresis, the output switch is set to “not active” by default.

#### Display mode

Normal operation, display of flow or temperature value (depending on setting)



#### Programming mode

Setting the parameters

The in-factory adjustment is carried out with the medium water. It is recommended to carry out the adjustment, relative to the minimum/maximum flows of the system, via the menu (→ see chapter 5.6 “Adjustment”)

### 5.4 Keys and functions

The flow switch has two operating modes, the display mode and the programming mode. The selected operating mode determines the respective function of the key.

Key	Function
	<b>Jumping into the programming mode</b> Keep the “MENU” key pressed for approx. 5 seconds. If the password is set to $\neq 0000$ , a password will be requested first. If authentication is successful, then it enters the programming mode, otherwise it reverts to display mode.
	<b>Returning to the display mode</b> Simultaneous pressing of both keys.



## 5. Commissioning, operation



EN

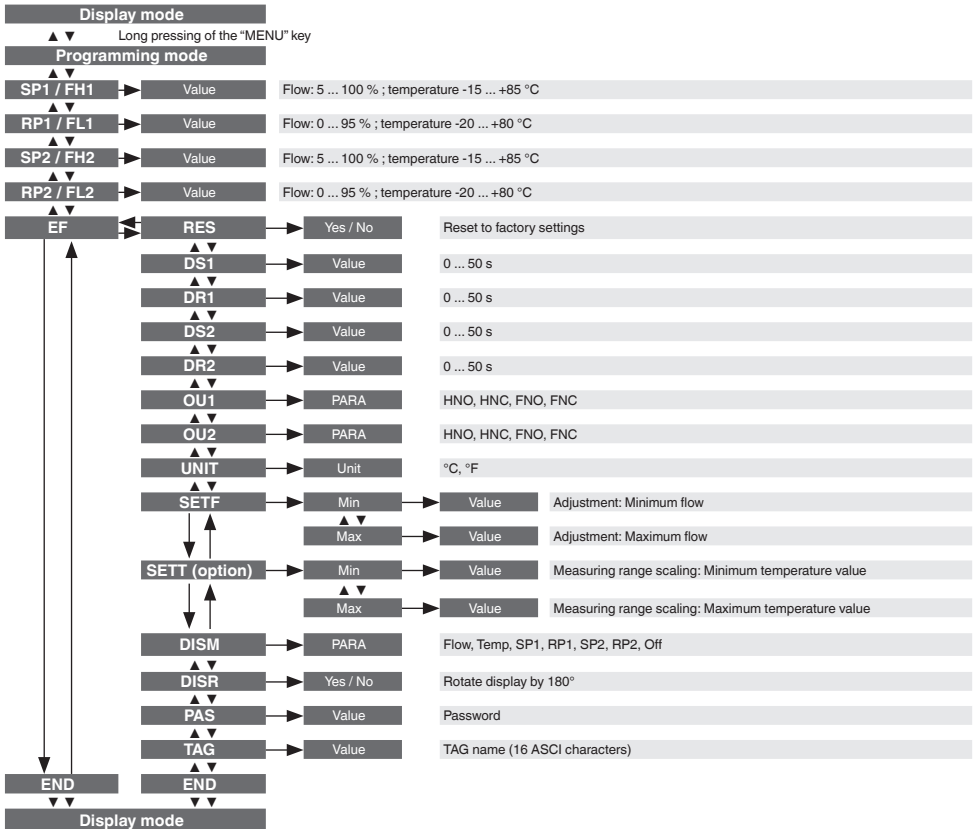
## 5. Commissioning, operation

### 5.5 Parameter

Parameter	Description
SP1/SP2	Hysteresis function: Switch point, switching output (1 or 2)
FH1/FH2	Window function: Window high switching output (1 or 2)
RP1/RP2	Hysteresis function: Reset point, switching output (1 or 2)
FL1/FL2	Window function: Window low switching output (1 or 2)
EF	Extended programming functions
RES	Reset the set parameters to the factory settings
DS1/DS2	Switch delay time, which must occur without interruption before any electrical signal change occurs (SP1 or SP2)
DR1/DR2	Switch delay time, which must occur without interruption before any electrical signal change occurs (RP1 or RP2)
OU1 / OU2	Switching function switching output (1 or 2) HNO = hysteresis function, normally open HNC = hysteresis function, normally closed FNO = window function, normally open FNC = window function, normally closed
UNIT	Unit switching
SETF	Adjustment: Minimum and maximum flow
SETT (option)	Measuring range scaling of 4 ... 20 mA temperature output "Min" determines at which temperature the output signal is to be 4 mA. "Max" determines at which temperature the output signal is to be 20 mA.
DISM	Display value in display mode FLOW = current flow value; TEMP = current temperature value; OFF = display off; SP1/FH1 = function switch point 1, RP1/FL1 = function reset point 1, SP2/FH2 = function switch point 2, RP2/FL2 = function reset point 2
DISR	Rotate display by 180°
PAS	Password input, 0000 = no password; password input digit by digit
TAG	Input of a 16-figure alphanumeric measuring point number

# 5. Commissioning, operation

## Menu



EN

## 5. Commissioning, operation

### 5.6 Adjustment

1. Depressurise the system and switch off the flow.
2. Mount the flow switch and connect it electrically.  
(→ refer to chapter 5.1 “Mechanical mounting” and 5.2 “Electrical mounting”)
3. Recall menu item “SETF” ► “MIN” and confirm “0”.
4. Set the maximum flow in the system.  
Observe measuring ranges (→ see chapter 9 “Specifications”).
5. Recall menu item “SETF” ► “MAX” and confirm “100”.

### 5.7 Switching functions

#### Hysteresis function

If the flow rate fluctuates around the set point, the hysteresis keeps the switching status of the outputs stable. With increasing flow rate, the output switches when reaching the switch point (SP).

- Contact normally open (HNO): Active
- Contact normally closed (HNC): Inactive

With the flow rate falling again, the output will not switch back before the reset point (RP) is reached.

- Contact normally open (HNO): Inactive
- Contact normally closed (HNC): Active

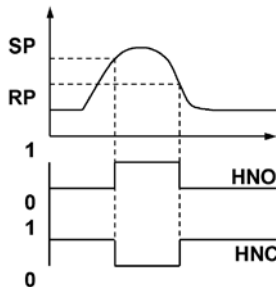


Fig.: Hysteresis function

## 5. Commissioning, operation

### Window function

The window function allows for the control of a defined range.

When the flow rate is between window high (FH) and window low (FL), the output switches on.

- Contact normally open (FNO): Active
- Contact normally closed (FNC): Inactive

When the flow rate is outside window high (FH) and window low (FL), the output does not switch on.

- Contact normally open (FNO): Inactive
- Contact normally closed (FNC): Active

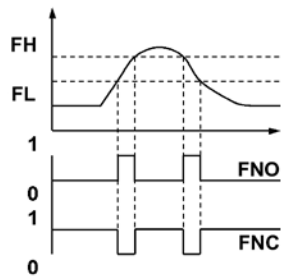


Fig.: Window function

### Delay times (0 ... 50 s)

This makes it possible to filter out unwanted flow peaks of a short duration or high frequency (damping).

The flow rate must be present for at least a certain pre-set time for the output to switch on. The output does not immediately change its status when it reaches the switching event (SP), but rather only after the pre-set delay time (DS).

If the switching event is no longer present after the delay time, the switching output does not change.

The output only switches back when the flow rate has fallen down to the reset point (RP) and stays at or below the reset point (RP) for at least the pre-set delay time (DR).

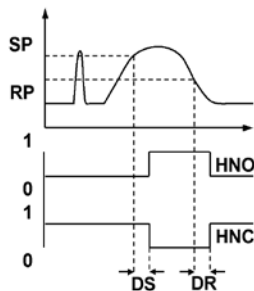


Fig.: Delay times

If the switching event is no longer present after the delay time, the switching output does not change.



### **CAUTION!**

#### **Physical injuries and damage to property and the environment**

If faults cannot be eliminated by means of the listed measures, the flow switch must be taken out of operation immediately.

- ▶ Ensure that there is no longer any voltage present and protect against being put into operation accidentally.
- ▶ Contact the manufacturer.
- ▶ If a return is needed, please follow the instructions given in chapter 8.2 "Return".



### **WARNING!**

#### **Physical injuries and damage to property and the environment caused by hazardous media**

Upon contact with hazardous media (e.g. acetylene, flammable or toxic substances), harmful media (e.g. corrosive, toxic, carcinogenic, radioactive), and also with refrigeration plants and compressors, there is a danger of physical injuries and damage to property and the environment.

- ▶ Should a failure occur, aggressive media with extremely high temperature and under high pressure or vacuum may be present at the instrument.
- ▶ For these media, in addition to all standard regulations, the appropriate existing codes or regulations must also be followed.
- ▶ Wear the requisite protective equipment.



For contact details see chapter 1 "General information" or the back page of the operating instructions.

## 6. Faults

In the event of any faults, first check whether the flow switch is mounted correctly, mechanically and electrically. If complaint is unjustified, the handling costs will be charged.

### Error display

Via the instrument's display internal errors are shown.

The following table shows the error codes and their meaning.

Error code	Description
ATT1	On changing the switch point, the system automatically reduces the reset point.
ATT3	Password entered for menu access is incorrect
ATT4	TAG cannot be shown in the display (e.g. special characters)
ERR	Internal error
OL F	Measuring range flow exceeded $\geq 10\%$ (display flashing)
OL T	Measuring range temperature exceeded $\geq 5\text{ }^{\circ}\text{C}$ (display flashing)
UL T	Below measuring range temperature $\leq 5\text{ }^{\circ}\text{C}$ (display flashing)

Acknowledgement of an error display by pressing the "Enter" key.

Fault	Possible cause	Measure
No output signal	Cable break	Check the continuity
No output signal/cable break	Mechanical load too high	Replace probe with a suitable design
No output signal	No/wrong power supply	Rectify the power supply
No/wrong output signal	Wiring error	Observe the pin assignment
Wrong output signal	Process temperature out of measuring range; sensor drift caused by overtemperature	Check temperature range
	Probe break/short circuit	Send the instrument to the manufacturer

## 6. Faults / 7. Maintenance and cleaning

Fault	Possible cause	Measure
Wrong output signal	Sensor drift caused by chemical attack	Check media compatibility
Wrong output signal and too long response time	Wrong mounting geometry, for example mounting depth too deep or heat dissipation too high	Move the temperature-sensitive area of the probe into the medium
	Deposit on the probe	Remove deposit
Signal span too small	Power supply too high/low	Rectify the power supply
Signal span drops	Moisture has entered	Fit the cable correctly

## 7. Maintenance and cleaning

### 7.1 Maintenance

This flow switch is maintenance-free.

Repairs must only be carried out by the manufacturer.

### 7.2 Cleaning



#### CAUTION!

#### Unsuitable cleaning agents

Cleaning with unsuitable cleaning agents may damage the instrument and the product label.

- ▶ Do not use any aggressive cleaning agents.
- ▶ Do not use any hard or pointed objects.
- ▶ Do not use any abrasive cloths or sponges.

#### Suitable cleaning agents

- Water
- Conventional dishwashing detergent

#### Cleaning the instrument

1. Disconnect the flow switch from the mains.
2. Wipe the instrument surface using a soft, damp cloth.



## 8. Dismounting, return and disposal

### 8. Dismounting, return and disposal

#### 8.1 Dismounting



##### **WARNING!**

##### **Physical injuries and damage to property and the environment caused by hazardous media**

Upon contact with hazardous media (e.g. acetylene, flammable or toxic substances), harmful media (e.g. corrosive, toxic, carcinogenic, radioactive), and also with refrigeration plants and compressors, there is a danger of physical injuries and damage to property and the environment.

- ▶ Should a failure occur, aggressive media with extremely high temperature and under high pressure or vacuum may be present at the instrument.
- ▶ Wear the requisite protective equipment.

#### **Dismounting the instrument**

1. Depressurise the system and switch off the flow.
2. Disconnect the flow switch from the mains.
3. Disconnect the electrical connection.
4. Unscrew the flow switch with a spanner using the spanner flats.

#### 8.2 Return

##### **Strictly observe the following when shipping the instrument:**

All instruments delivered to WIKA must be free from any kind of hazardous substances (acids, bases, solutions, etc.) and must therefore be cleaned before being returned.



##### **WARNING!**

##### **Physical injuries and damage to property and the environment through residual media**

Residual media in the dismantled instrument can result in a risk to persons, the environment and equipment.

- ▶ With hazardous substances, include the material safety data sheet for the corresponding medium.
- ▶ Clean the instrument, see chapter 7.2 "Cleaning".

EN

## 8. Dismounting, return

When returning the instrument, use the original packaging or a suitable transport packaging.



Information on returns can be found under the heading "Service" on our local website.

EN

### 8.3 Disposal

Incorrect disposal can put the environment at risk.

Dispose of instrument components and packaging materials in an environmentally compatible way and in accordance with the country-specific waste disposal regulations.

## 9. Specifications

## 9. Specifications

Specifications	
<b>Measuring ranges</b>	
Flow	Water: 5 ... 150 cm/s Oil: 3 ... 300 cm/s
Temperature (option)	-20 ... +85 °C (-4 ... +185 °F)
<b>Digital display</b>	
Type	14-segment LED, red, 4-digit, 9 mm (0.35 inch) character size
Illustration	180° rotatable
<b>Output signals</b>	
Switching output	PNP or NPN
Analogue signal (option)	4 ... 20 mA
Pin assignment	see product label
Scaling (temperature)	Zero point: -20 ... +5 °C End value: 60 ... 85 °C
Switching thresholds	Switch point 1 and switch point 2 are individually adjustable
Switching functions	Normally open, normally closed, window, hysteresis Freely adjustable
Switching voltage	Power supply - 1 V
Switching current	max. 250 mA
Switch-on drift	10 s
Settling time	Flow (0 ... 100 %, 100 ... 0 %): 6 s Flow (50 ... 100 %, 100 ... 50 %): 4 s Temperature $t_{90}$ : 4 s Temperature $t_{63}$ : 2 s
Load	Analogue signal 4 ... 20 mA: $\leq 0.5 \text{ k}\Omega$
Service life	100 million switching cycles

EN

## 9. Specifications

### Specifications

#### Voltage supply

Power supply DC 15 ... 35 V

Current consumption

- Switching output with analogue signal: 175 mA
- Switching output without analogue signal: 150 mA

Total current consumption max. 650 mA including switching current

#### Accuracy specifications

Non-repeatability Flow (5 ... 100 cm/s):  $\pm 2$  cm/s  
Temperature: 0.5 K

Accuracy at reference conditions Flow (5 ... 100 cm/s):  $\leq \pm 5$  % of end value of measuring range  
Flow (>100 ... 175 cm/s):  $\leq \pm 10$  % of end value of measuring range  
Temperature:  $\leq \pm 1,5$  K

Including non-linearity, hysteresis, zero offset and end value deviation (corresponds to measured error per IEC 61298-2).  
The accuracy of the flow switch is dependent on the thermal conductivity and the contamination of the probe.

Temperature error at -20 ... +85 °C (-4 ... +185 °F)  $\leq \pm 0.4$  cm/s per K

#### Reference conditions

Ambient temperature 15 ... 25 °C (59 ... 77 °F)

Atmospheric pressure 860 ... 1,060 mbar (12.47 ... 15.38 psi)

Humidity 45 ... 75 % r. h.

Medium Water

Power supply DC 24 V

Mounting position Process connection M18 x 1.5 downwards  
Inner diameter of pipe 26 mm  
Upstream/Downstream pipe: 1 m / 0.5 m  
Marking towards the upstream side twist of  $\pm 5^\circ$

Load 100  $\Omega$

EN

## 9. Specifications

### Specifications

#### Operating conditions

Permissible temperature ranges	Medium: -20 ... +85 °C (-4 ... +185 °F) Ambient: -20 ... +80 °C (-4 ... +176 °F) Storage: -20 ... +80 °C (-4 ... +176 °F)
Humidity	45 ... 75 % r. h.
Max. operating pressure	40 bar (30 bar with process connection M18 x 1.5) 580 psi (435 psi with process connection M18 x 1.5)
Vibration resistance	6 g (IEC 60068-2-6, under resonance)
Shock resistance	50 g (IEC 60068-2-27, mechanical)
Ingress protection	IP65 and IP67  The stated ingress protection only applies when plugged in using mating connectors that have the appropriate ingress protection.

#### Materials

Wetted parts	Process connection, probe: Stainless steel 316Ti
Non-wetted parts	Case: Stainless steel 304 Keyboard: TPE-E Digital display: PC Display head: PC+ABS blend

#### Electrical connection

Connection	Circular connector M12 x 1 (4-pin)
Short-circuit resistance	S+ / SP1 / SP2 vs. U-
Reverse polarity protection	U+ vs. U-
Insulation voltage	DC 500 V
Overvoltage protection	DC 40 V

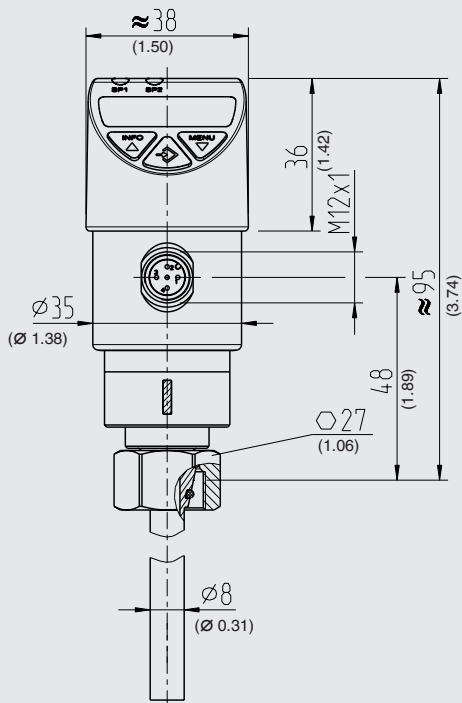
#### Approvals, manufacturer's information and certificates

Approvals	see product label
-----------	-------------------

For further specifications see WIKA data sheet FL 80.01 and the order documentation.

## 9. Specifications

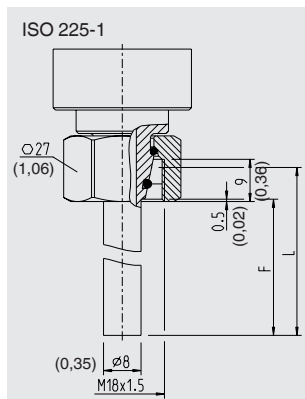
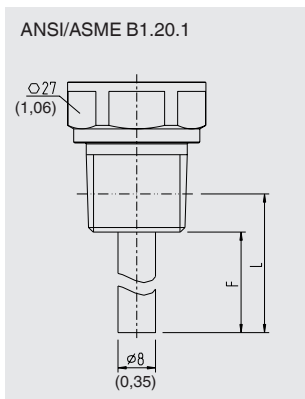
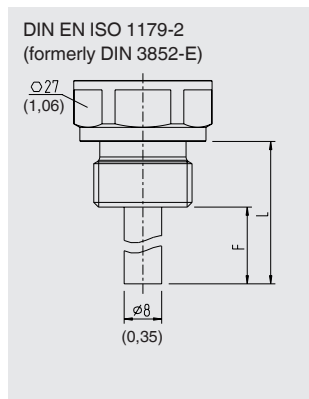
Dimensions in mm (in)



Weight: approx. 0.3 kg (10.58 oz)

## 9. Specifications

### Process connections (inch)



EN

	Standard	Thread	Probe length F	Insertion length L
Option 1	ISO 225-1	M18 x 1.5	45 mm (1.77 in)	52 mm (2.05 in)
Option 2	DIN EN ISO 1179-2 (formerly DIN 3852-E)	G ¼ A	16 mm (0.63 in)	28 mm (1.10 in)
Option 3	DIN EN ISO 1179-2 (formerly DIN 3852-E)	G ½ A	16 mm (0.63 in)	30 mm (1.18 in)
Option 4	DIN EN ISO 1179-2 (formerly DIN 3852-E)	G ½ A	35 mm (1.38 in)	49 mm (1.93 in)
Option 5	DIN EN ISO 1179-2 (formerly DIN 3852-E)	G ½ A	65 mm (2.65 in)	79 mm (3.11 in)
Option 6	DIN EN ISO 1179-2 (formerly DIN 3852-E)	G ½ A	105 mm (4.13 in)	119 mm (4.69 in)
Option 7	ANSI/ASME B1.20.1	¼ NPT	16 mm (0.63 in)	22 mm (0.87 in)
Option 8	ANSI/ASME B1.20.1	½ NPT	30 mm (1.18 in)	38 mm (1.50 in)



## 10. Accessories and spare parts

### 10. Accessories and spare parts

#### Sealings

	Description	Order number
	NBR profile sealing G ¼ A DIN EN ISO 1179-2 (formerly DIN 3852-E)	1537857
	FPM/FKM profile sealing G ¼ A DIN EN ISO 1179-2 (formerly DIN 3852-E)	1576534
	NBR profile sealing G ½ A DIN EN ISO 1179-2 (formerly DIN 3852-E)	1039067
	FPM/FKM profile sealing G ½ A DIN EN ISO 1179-2 (formerly DIN 3852-E)	1039075

#### Circular connector M12 x 1 with moulded cable

	Description	Temperature range	Cable diameter	Order number
	Straight version, cut to length, 4-pin, 2 m (6.6 ft) PUR cable, UL listed, IP67	-20 ... +80 °C (-4 ... +176 °F)	4.5 mm (0.18 in)	14086880
	Straight version, cut to length, 4-pin, 5 m (16.4 ft) PUR cable, UL listed, IP67	-20 ... +80 °C (-4 ... +176 °F)	4.5 mm (0.18 in)	14086883
	Straight version, cut to length, 4-pin, 10 m (32.8 ft) PUR cable, UL listed, IP67	-20 ... +80 °C (-4 ... +176 °F)	4.5 mm (0.18 in)	14086884
	Angled version, cut to length, 4-pin, 2 m (6.6 ft) PUR cable, UL listed, IP67	-20 ... +80 °C (-4 ... +176 °F)	4.5 mm (0.18 in)	14086889
	Angled version, cut to length, 4-pin, 5 m (16.4 ft) PUR cable, UL listed, IP67	-20 ... +80 °C (-4 ... +176 °F)	4.5 mm (0.18 in)	14086891
	Angled version, cut to length, 4-pin, 10 m (32.8 ft) PUR cable, UL listed, IP67	-20 ... +80 °C (-4 ... +176 °F)	4.5 mm (0.18 in)	14086892



## 10. Accessories and spare parts

### Adapter

	Description	Recommended for pipe $\varnothing$	B	A	Order number
	From M18 x 1.5 to G ¼	22 ... 50 mm (0.86 ... 0.97 in)	28 mm (1.10 in)	16 mm (0.63 in)	14242761
	From M18 x 1.5 to G ½ long	25 ... 60 mm (0.98 ... 2.36 in)	31 mm (1.22 in)	17 mm (0.67 in)	14242759
	From M18 x 1.5 to G ½ short	32 ... 100 mm (1.26 ... 3.93 in)	36 mm (1.41 in)	22 mm (0.86 in)	14242760

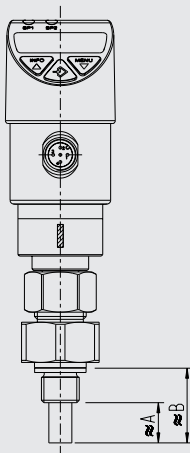
#### Legend

- A Maximum probe immersion depth
- B Distance sealing face to probe tip

EN

## 10. Accessories and spare parts

FSD-3 with adapter



EN

### Legend

- A Maximum probe immersion depth
- B Distance sealing face to probe tip

## Inhalt

<b>1. Allgemeines</b>	<b>36</b>
<b>2. Aufbau und Funktion</b>	<b>37</b>
<b>3. Sicherheit</b>	<b>39</b>
<b>4. Transport, Verpackung und Lagerung</b>	<b>42</b>
<b>5. Inbetriebnahme, Betrieb</b>	<b>43</b>
<b>6. Störungen</b>	<b>54</b>
<b>7. Wartung und Reinigung</b>	<b>56</b>
<b>8. Demontage, Rücksendung und Entsorgung</b>	<b>57</b>
<b>9. Technische Daten</b>	<b>59</b>
<b>10. Zubehör und Ersatzteile</b>	<b>64</b>

Konformitätserklärungen finden Sie online unter [www.wika.de](http://www.wika.de)

# 1. Allgemeines

## 1. Allgemeines

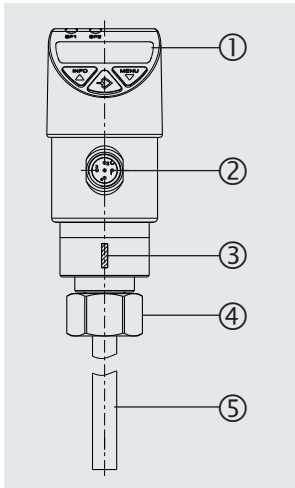
- Das in der Betriebsanleitung beschriebene Gerät wird nach dem aktuellen Stand der Technik konstruiert und gefertigt. Alle Komponenten unterliegen während der Fertigung strengen Qualitäts- und Umweltkriterien. Unsere Managementsysteme sind nach ISO 9001 und ISO 14001 zertifiziert.
- Diese Betriebsanleitung gibt wichtige Hinweise zum Umgang mit dem Gerät. Voraussetzung für sicheres Arbeiten ist die Einhaltung aller angegebenen Sicherheitshinweise und Handlungsanweisungen.
- Die für den Einsatzbereich des Gerätes geltenden örtlichen Unfallverhütungsvorschriften und allgemeinen Sicherheitsbestimmungen einhalten.
- Die Betriebsanleitung ist Produktbestandteil und muss in unmittelbarer Nähe des Gerätes für das Fachpersonal jederzeit zugänglich aufbewahrt werden. Betriebsanleitung an nachfolgende Benutzer oder Besitzer des Gerätes weitergeben.
- Das Fachpersonal muss die Betriebsanleitung vor Beginn aller Arbeiten sorgfältig durchgelesen und verstanden haben.
- Es gelten die allgemeinen Geschäftsbedingungen in den Verkaufsunterlagen.
- Technische Änderungen vorbehalten.
- Weitere Informationen:
  - Internet-Adresse: [www.wika.de](http://www.wika.de) / [www.wika.com](http://www.wika.com)
  - Zugehöriges Datenblatt: FL 80.01
  - Anwendungsberater: Tel.: +49 9372 132-8976  
Fax: +49 9372 132-8008976  
[support-tronic@wika.de](mailto:support-tronic@wika.de)

DE

## 2. Aufbau und Funktion

## 2. Aufbau und Funktion

### 2.1 Überblick



- ① Anzei- und Bedienfeld
- ② Elektrischer Anschluss
- ③ Einbaumarkierung
- ④ Prozessanschluss, Schlüsselfläche
- ⑤ Fühler

DE

## 2. Aufbau und Funktion

### 2.2 Funktionsbeschreibung

Der Strömungsschalter arbeitet nach dem kalorimetrischen Prinzip und dient dem Umwandeln der Strömungsgeschwindigkeit in ein elektrisches Signal. Das Gerät zeigt die prozentuale Strömungsgeschwindigkeit auf der Digitalanzeige an.

Optional erfasst das Gerät die Messstofftemperatur.

DE

Das Gerät kann bis zu 2 Ausgangssignale entsprechend der Parametrierung ausgeben:

- Schaltsignal für Grenzwerte Strömung
- Schaltsignal für Grenzwerte Temperatur
- Schaltsignal für Diagnosefunktion
- Analogsignal Strömung
- Analogsignal Temperatur

### 2.3 Lieferumfang

- Strömungsschalter
- Betriebsanleitung
- Zubehör Prozessanschluss (optional)
- Weitere Bescheinigungen und Zeugnisse (optional)

Lieferumfang mit dem Lieferschein abgleichen.

## 3. Sicherheit

### 3. Sicherheit

#### 3.1 Symbolerklärung



##### **WARNUNG!**

... weist auf eine möglicherweise gefährliche Situation hin, die zum Tod oder zu schweren Verletzungen führen kann, wenn sie nicht gemieden wird.



##### **VORSICHT!**

... weist auf eine möglicherweise gefährliche Situation hin, die zu geringfügigen oder leichten Verletzungen bzw. Sach- und Umweltschäden führen kann, wenn sie nicht gemieden wird.



##### **Information**

... hebt nützliche Tipps und Empfehlungen sowie Informationen für einen effizienten und störungsfreien Betrieb hervor.

#### 3.2 Bestimmungsgemäße Verwendung

Der Strömungsschalter ist ausschließlich für den hier beschriebenen bestimmungsgemäßen Verwendungszweck konzipiert und konstruiert und darf nur dementsprechend verwendet werden.

- Umwandeln von Strömungsgeschwindigkeiten in ein elektrisches Signal.
- Keine Montage in nach unten offenen Fallrohren.
- Einsatz in Gebäuden und im Freien (hohe Umgebungstemperaturen und direkte UV-Bestrahlung vermeiden).
- Umgebung mit max. Verschmutzungsgrad 3.
- Spannungsversorgung der Überspannungskategorie II.
- Umgebungstemperatur zwischen -20 ... +80 °C.
- Messstofftemperatur zwischen -20 ... +85 °C.
- Relative Luftfeuchte zwischen 45 ... 75 % r. F.
- Einsatz für gewerbliche Zwecke in industrieller Umgebung.

## 3. Sicherheit

Der Strömungsschalter dient der Überwachung von Strömungsverlust und Trockenlauf. Das Analogsignal sollte nur als Trendindikator eingesetzt werden, um Prozessveränderungen, wie z. B. Filterverblockung, zu überwachen.

Den Strömungsschalter nur in Anwendungen einsetzen, die innerhalb seiner technischen Leistungsgrenzen liegen.  
→ Leistungsgrenzen siehe Kapitel 9 „Technische Daten“.

DE

Eigenmächtige Umbauten am Strömungsschalter unterlassen.

Jede über die bestimmungsgemäße Verwendung hinausgehende oder andersartige Benutzung gilt als Fehlgebrauch. Ansprüche jeglicher Art aufgrund von nicht bestimmungsgemäßer Verwendung sind ausgeschlossen.

### 3.3 Personalqualifikation

#### Fachpersonal

Das vom Betreiber autorisierte Fachpersonal ist aufgrund seiner fachlichen Ausbildung, seiner Kenntnisse der Mess- und Regelungstechnik und seiner Erfahrungen sowie Kenntnis der landesspezifischen Vorschriften, geltenden Normen und Richtlinien in der Lage, die beschriebenen Arbeiten auszuführen und mögliche Gefahren selbstständig zu erkennen.

Spezielle Einsatzbedingungen verlangen weiteres entsprechendes Wissen, z. B. über aggressive Medien.

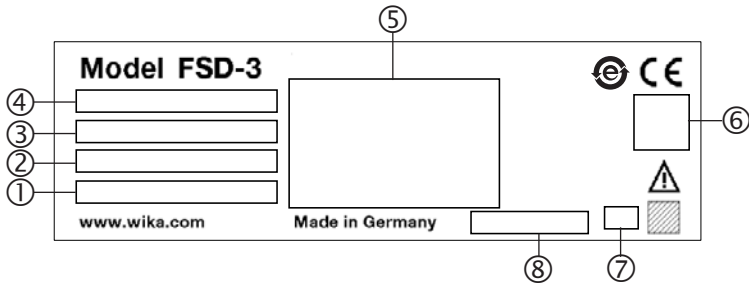


## 3. Sicherheit

### 3.4 Beschilderung, Sicherheitskennzeichnungen

#### Typenschild

Wird die Seriennummer durch mechanische Beschädigung oder Übermalen unleserlich, ist eine Rückverfolgbarkeit nicht mehr möglich.



- |                            |   |
|----------------------------|---|
| ① S# Serien-Nr.            | ⑤ Anschlussbelegung (inkl. technischer Daten) |
| ② P# Erzeugnis-Nr.         | ⑥ Zulassungen                                 |
| ③ Messbereich (Temperatur) | ⑦ Kodiertes Herstelldatum                     |
| ④ Messbereich (Strömung)   | ⑧ Max. Druckbelastbarkeit                     |



Vor Montage und Inbetriebnahme des Gerätes unbedingt die Betriebsanleitung lesen!



Gleichspannung

## 4. Transport, Verpackung und Lagerung

### 4. Transport, Verpackung und Lagerung

#### 4.1 Transport

Strömungsschalter auf eventuell vorhandene Transportschäden untersuchen.  
Offensichtliche Schäden unverzüglich mitteilen.

#### 4.2 Verpackung und Lagerung

Verpackung erst unmittelbar vor der Montage entfernen.

Die Verpackung aufbewahren, denn diese bietet bei einem Transport einen optimalen Schutz (z. B. wechselnder Einbauort, Reparatursendung).

#### Zulässige Bedingungen am Lagerort:

- Lagertemperatur: -20 ... +80 °C
- Feuchtigkeit: 45 ... 75 % relative Feuchte (keine Betauung)

#### Folgende Einflüsse vermeiden:

- Direktes Sonnenlicht oder Nähe zu heißen Gegenständen
- Mechanische Vibration, mechanischer Schock (hartes Aufstellen)
- Ruß, Dampf, Staub und korrosive Gase
- Feuchte oder nasse Umgebung
- Explosionsgefährdete Umgebung, entzündliche Atmosphären

DE

## 5. Inbetriebnahme, Betrieb

### 5. Inbetriebnahme, Betrieb

#### 5.1 Mechanische Montage

Den Strömungsschalter nur in sicherheitstechnisch einwandfreiem Zustand einsetzen.

Vor der Inbetriebnahme den Strömungsschalter optisch prüfen.

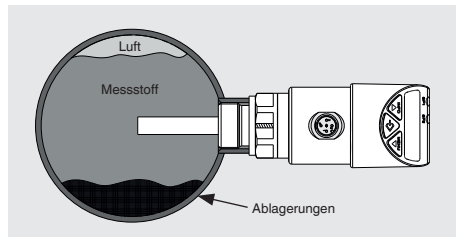
Die Inbetriebnahme und der Betrieb des Gerätes darf nur von Fachpersonal durchgeführt werden, siehe Kapitel 3.3 „Personalqualifikation“.

##### 5.1.1 Anforderungen an Montagestelle

Die Einbaulage und die Fühlerlänge sind von erheblicher Bedeutung für die Qualität und die Zuverlässigkeit der Messergebnisse.

Die Montagestelle muss folgende Bedingungen erfüllen:

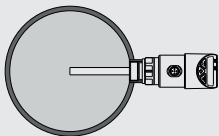
- Dichtflächen sind sauber und unbeschädigt.
- Ausreichend Platz für eine sichere elektrische Installation.
- Angaben zu Einschraublöchern und Einschweißstutzen siehe Technische Information IN 00.14 unter [www.wika.de](http://www.wika.de).
- Zulässige Umgebungs- und Messstofftemperaturen bleiben innerhalb der Leistungsgrenzen. Mögliche Einschränkungen des Umgebungstemperaturbereichs durch verwendeten Gegenstecker berücksichtigen.
  - Leistungsgrenzen siehe Kapitel 9 „Technische Daten“
- Die Fühlerspitze muss vollständig vom Messstoff umgeben sein.
- Die Fühlerspitze im Bereich der maximalen Strömungsgeschwindigkeit positionieren (Rohrmitte).
- Die Mindest-Eintauchtiefe des Fühlers beträgt  $L \geq 16$  mm.
- Die Fühlerspitze darf die gegenüberliegende Wandung nicht berühren.



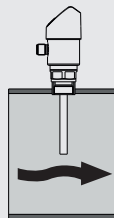
## 5. Inbetriebnahme, Betrieb

### 5.1.2 Empfohlene Einbaulagen

#### Waagrecht verlaufende Rohre

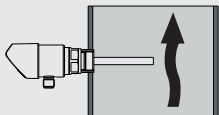


Nur wenn die Rohrleitung frei von Ablagerungen ist.



Nur wenn die Rohrleitung vollständig mit Messtoff gefüllt ist.

#### Steigleitungen und senkrecht verlaufende Rohre



Die Montage des Strömungsschalters an nach unten geöffnete Fallrohre ist unzulässig. Dieser Anwendungsfall entspricht nicht der bestimmungsgemäßen Verwendung.

## 5. Inbetriebnahme, Betrieb

### 5.1.3 Ausrichtung des Fühlers

Bei der mechanischen Montage des FSD-3 ist darauf zu achten, dass die Einbaumarkierung entgegengesetzt der Strömungsrichtung des Mediums zeigt.

### 5.1.4 Abdichtung

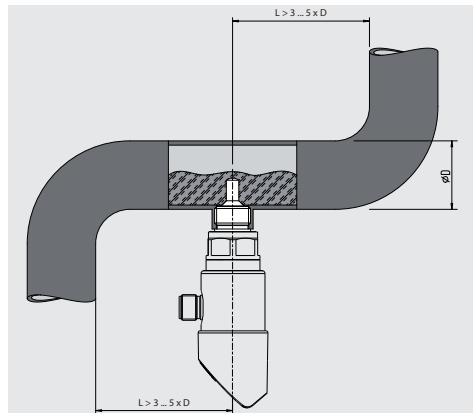
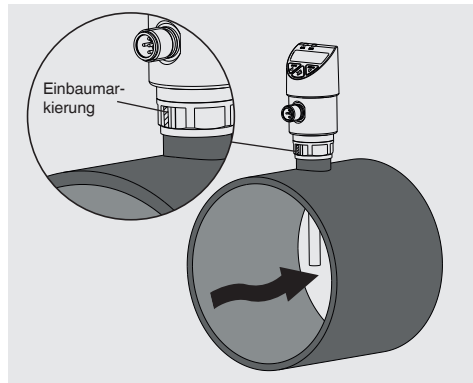
Zur Abdichtung der Prozessanschlüsse mit zylindrischem Gewinde an der Dichtfläche sind Flachdichtungen, Dichtlinsen oder WIKA-Profildichtungen einzusetzen. Bei kegeligem Gewinde (z. B. NPT-Gewinde) erfolgt die Abdichtung im Gewinde, mit zusätzlichen Dichtwerkstoffen, wie z. B. PTFE-Band (EN 837-2).



Hinweise zu Dichtungen siehe WIKA Datenblatt AC 09.08 oder unter [www.wika.de](http://www.wika.de)

### 5.1.5 Störeinflüsse im Leitungssystem

Der Strömungsschalter benötigt ein voll ausgeprägtes Strömungsprofil für eine korrekte Messung. Daher müssen in der Rohrleitung Beruhigungsstrecken nach einer Pumpe, einem Rohrbogen, Einbauten und Querschnittsänderungen vorgesehen werden.



DE

## 5. Inbetriebnahme, Betrieb

### 5.1.6 Gerät montieren



Der max. Drehmoment ist abhängig von der Montagestelle (z. B. Werkstoff und Form). Bei Fragen wenden Sie sich an unseren Anwendungsberater.  
→ Kontaktdaten siehe Kapitel 1 „Allgemeines“ oder Rückseite der Betriebsanleitung.

Wird ein Prozessanschlussadapter (optional) eingesetzt, diesen zunächst handfest in die Montagestelle einschrauben und mit einem Drehmomentschlüssel anziehen. Beigelegte Dichtung verwenden.

1. Anlage druck- und strömungsfrei schalten.
2. Prozessanschluss abdichten (→ siehe „Abdichtungsvarianten“).
3. Strömungsschalter handfest in Montagestelle einschrauben.
4. Mit Drehmomentschlüssel über Schlüsselfläche anziehen.

### 5.2 Elektrische Montage

#### Anforderungen an Spannungsversorgung

Hilfsenergie: DC 15 ... 35 V

Die Versorgung des Strömungsschalters muss durch einen energiebegrenzten Stromkreis gemäß 9.3 der UL/EN/IEC 61010-1 oder LPS gemäß UL/EN/IEC 60950-1 oder Class 2 gemäß UL1310/UL1585 (NEC oder CEC) erfolgen. Die Spannungsversorgung muss für den Betrieb oberhalb 2.000 m über NN geeignet sein, falls der Strömungsschalter ab dieser Höhe verwendet wird.

#### Anforderung an Schirmung und Erdung

Der Strömungsschalter muss entsprechend dem Erdungskonzept der Anlage geschirmt und geerdet werden. Das Gerät über den Prozessanschluss erden.

#### Gerät anschließen

1. Gegenstecker konfektionieren.  
→ siehe Anschlussbelegung
2. Steckverbindung herstellen.

## 5. Inbetriebnahme, Betrieb

### Anschlussbelegung

#### Rundstecker M12 x 1 (4-polig)



U+	1
U-	3
S+	2
SP1	4
SP2	2

#### Legende:

U+	Positiver Versorgungsanschluss
U-	Negativer Versorgungsanschluss
SP1	Schaltausgang 1
SP2	Schaltausgang 2
S+	Analogausgang

DE

## 5. Inbetriebnahme, Betrieb

### 5.3 Betriebsmodi

#### Systemstart

- Display wird 2 Sekunden lang vollständig angesteuert.
- Bei Start des Strömungsschalters im Bereich der Hysterese wird standardmäßig der Ausgangsschalter auf „nicht-aktiv“ gesetzt.

DE

#### Displaymodus

Normaler Arbeitsbetrieb, Anzeige Strömungs- oder Temperaturwert (je nach Einstellung)




#### Programmiermodus

Einstellen der Parameter

Der werksseitige Abgleich erfolgt mit dem Messstoff Wasser. Ein Abgleich über das Menü auf die Min-/Max-Strömungen der Anlage wird empfohlen (→ siehe Kapitel 5.6 „Abgleich“)

### 5.4 Tasten und Funktionen

Der Strömungsschalter verfügt über zwei Betriebsmodi, den Displaymodus und den Programmiermodus. Der ausgewählte Betriebsmodus bestimmt die jeweilige Funktion der Taste.

Taste	Funktion
	<b>Sprung in den Programmiermodus</b> Taste „MENU“ etwa 5 Sekunden lang betätigen. Falls Passwort ≠ 0000 gesetzt ist erfolgt erst eine Passwortabfrage. Bei erfolgreicher Bestätigung erfolgt der Zugang zum Programmiermodus, ansonsten erfolgt Rücksprung in Displaymodus.
 	<b>Rücksprung in den Displaymodus</b> Gleichzeitige Betätigung beider Tasten.



## 5. Inbetriebnahme, Betrieb

Status Schaltausgang 2 (optional)

Status Schaltausgang 1

### Displaymodus

- ▶ Kurze Betätigung  
Anzeige der Einheit
- ▶ Lange Betätigung  
Anzeige der eingestellten Parameter siehe  
Kapitel 5.5 „Parameter“

### Programmiermodus

- ▶ Kurze Betätigung  
Menü aufwärts  
Parameterwert aufwärts (schrittweise)
- ▶ Lange Betätigung  
Menü aufwärts  
Parameterwert aufwärts (schnell)

4-stellige LED Anzeige

- Anzeige Strömungswert
- Anzeige Menüpunkt
- Anzeige Parameter

### Displaymodus

- ▶ Kurze Betätigung  
Anzeige der Einheit
- ▶ Lange Betätigung  
Sprung in den Programmiermodus

### Programmiermodus

- ▶ Kurze Betätigung  
Menü abwärts  
Parameterwert abwärts (schrittweise)
- ▶ Lange Betätigung  
Menü abwärts  
Parameterwert abwärts (schnell)

### Displaymodus

- ▶ Kurze Betätigung  
Anzeige der Einheit

### Programmiermodus

- ▶ Kurze Betätigung  
Auswahl Menüpunkt  
Bestätigung der Eingabe



DE

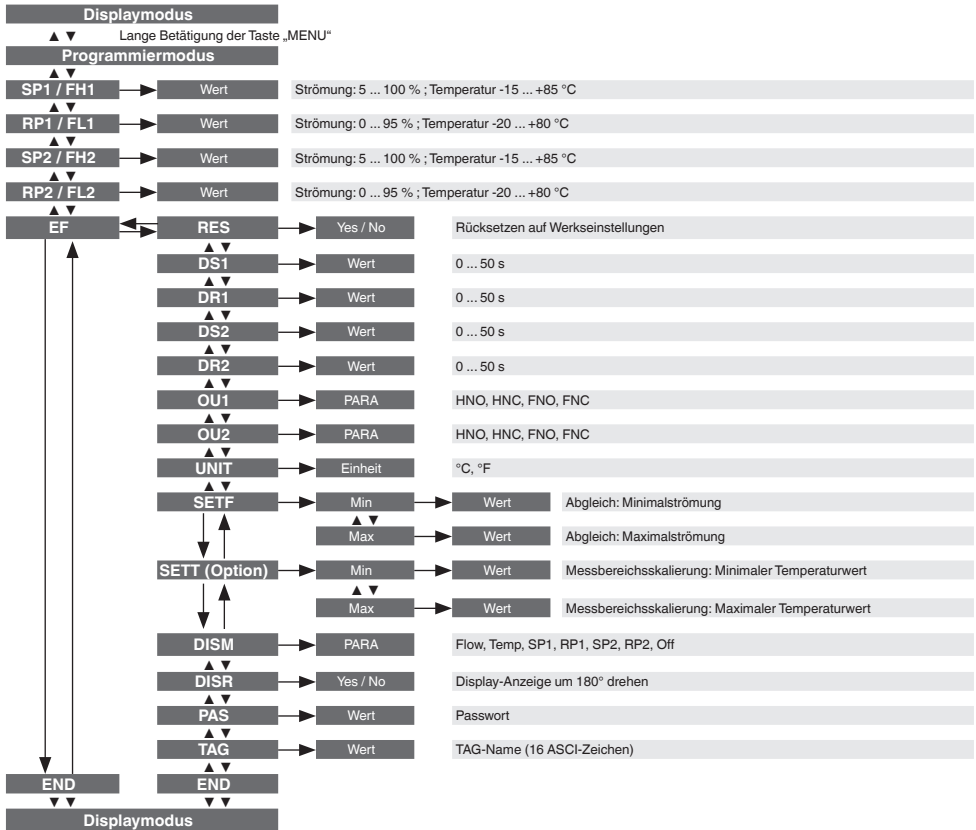
## 5. Inbetriebnahme, Betrieb

### 5.5 Parameter

Parameter	Beschreibung
SP1/SP2	Hysteresefunktion: Schaltpunkt Schaltausgang (1 ggf. 2)
FH1/FH2	Fensterfunktion: Fenster High Schaltausgang (1 ggf. 2)
RP1/RP2	Hysteresefunktion: Rückschaltpunkt Schaltausgang (1 ggf. 2)
FL1/FL2	Fensterfunktion: Fenster Low Schaltausgang (1 ggf. 2)
EF	Erweiterte Programmier Funktionen
RES	Rücksetzen der eingestellten Parameter auf die Werkseinstellungen
DS1/DS2	Schaltverzögerungszeit, die ununterbrochen anstehen muss, bis ein elektrischer Signalwechsel erfolgt (SP1 ggf. SP2)
DR1/DR2	Schaltverzögerungszeit, die ununterbrochen anstehen muss, bis ein elektrischer Signalwechsel erfolgt (RP1 ggf. RP2)
OU1/ OU2	Schaltfunktion Schaltausgang (1 ggf. 2) HNO = Hysteresefunktion, Schließer HNC = Hysteresefunktion, Öffner FNO = Fensterfunktion, Schließer FNC = Fensterfunktion, Öffner
UNIT	Einheitenumschaltung
SETF	Abgleich: Minimal und -Maximalströmung
SETT (Option)	Messbereichsskalierung für den 4 ... 20 mA-Temperaturausgang „Min“ legt fest, bei welcher Temperatur das Ausgangssignal 4 mA betragen soll. „Max“ legt fest, bei welcher Temperatur das Ausgangssignal 20 mA betragen soll.
DISM	Anzeigewert im Display-Mode FLOW = Aktueller Strömungswert; TEMP = Aktueller Temperaturwert; OFF = Anzeige aus; SP1/FH1 = Funktion Schaltpunkt 1, RP1/FL1 = Funktion Rückschaltpunkt 1, SP2/FH2 = Funktion Schaltpunkt 2, RP2/FL2 = Funktion Rückschaltpunkt 2
DISR	Display-Anzeige 180° drehen
PAS	Passworteingabe, 0000 = kein Passwort; Passworteingabe Digit by Digit
TAG	Eingabe einer 16-stelligen alphanumerischen Messstellenummer

# 5. Inbetriebnahme, Betrieb

## Menü



## 5. Inbetriebnahme, Betrieb

### 5.6 Abgleich

1. Anlage druck- und strömungsfrei schalten.
2. Strömungsschalter montieren und elektrisch anschließen.  
(→ siehe Kapitel 5.1 „Mechanische Montage“ und 5.2 „Elektrische Montage“)
3. Menüpunkt „SETF“ ► „MIN“ aufrufen und „0“ bestätigen.
4. Maximalströmung in der Anlage einstellen.  
Messbereiche beachten (→ siehe Kapitel 9 „Technische Daten“).
5. Den Menüpunkt „SETF“ ► „MAX“ aufrufen und „100“ bestätigen.

### 5.7 Schaltfunktionen

#### Hysteresefunktion

Wenn die Strömungsgeschwindigkeit um den Sollwert schwankt, hält die Hysterese den Schaltzustand der Ausgänge stabil. Bei steigender Strömungsgeschwindigkeit schaltet der Ausgang bei Erreichen des Schaltpunktes (SP).

- Schließerkontakt (HNO): aktiv
- Öffnerkontakt (HNC): inaktiv

Fällt die Strömungsgeschwindigkeit wieder ab, schaltet der Ausgang erst wieder zurück, wenn der Rückschaltpunkt (RP) erreicht ist.

- Schließerkontakt (HNO): inaktiv
- Öffnerkontakt (HNC): aktiv

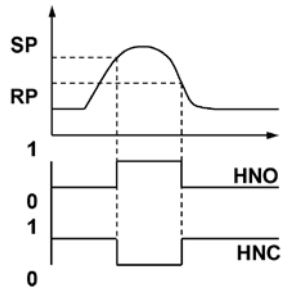


Abb.: Hysteresefunktion

## 5. Inbetriebnahme, Betrieb

### Fensterfunktion

Die Fensterfunktion erlaubt die Überwachung eines definierten Bereiches. Befindet sich die Strömungsgeschwindigkeit zwischen dem Fenster High (FH) und dem Fenster Low (FL), schaltet der Ausgang.

- Schließerkontakt (FNO): aktiv
- Öffnerkontakt (FNC): inaktiv

Befindet sich die Strömungsgeschwindigkeit außerhalb der Fenster High (FH) und Low (FL), schaltet der Ausgang nicht.

- Schließerkontakt (FNO): inaktiv
- Öffnerkontakt (FNC): aktiv

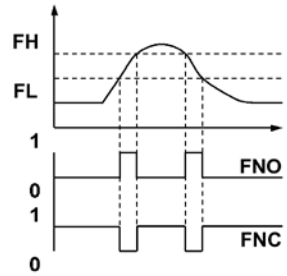


Abb.: Fensterfunktion

### Verzögerungszeiten (0 ... 50 s)

Hierdurch lassen sich unerwünschte Strömungsspitzen von kurzer Dauer oder hoher Frequenz ausfiltern (Dämpfung).

Die Strömungsgeschwindigkeit muss mindestens eine voreingestellte Zeit anstehen, damit der Ausgang schaltet. Der Ausgang ändert seinen Zustand nicht sofort bei Erreichen des Schaltereignisses (SP), sondern erst nach Ablauf der eingestellten Verzögerungszeit (DS).

Besteht das Schaltereignis nach Ablauf der Verzögerungszeit nicht mehr, ändert sich der Schaltausgang nicht.

Der Ausgang schaltet erst wieder zurück, wenn die Strömungsgeschwindigkeit auf den Rückschaltpunkt (RP) abgefallen ist und mindestens die eingestellte Verzögerungszeit (DR) auf bzw. unter dem Rückschaltpunkt (RP) bleibt.

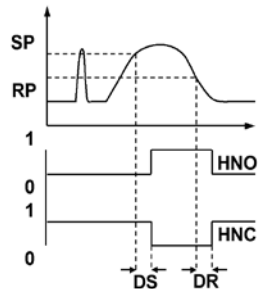


Abb.: Verzögerungszeiten

Besteht das Schaltereignis nach Ablauf der Verzögerungszeit nicht mehr, ändert sich der Schaltausgang nicht.

### 6. Störungen



#### **VORSICHT!**

##### **Körperverletzungen, Sach- und Umweltschäden**

Können Störungen mit Hilfe der aufgeführten Maßnahmen nicht beseitigt werden, Strömungsschalter unverzüglich außer Betrieb setzen.

- ▶ Sicherstellen, dass keine Spannung mehr anliegt und gegen versehentliche Inbetriebnahme schützen.
- ▶ Kontakt mit dem Hersteller aufnehmen.
- ▶ Bei notwendiger Rücksendung die Hinweise unter Kapitel 8.2 „Rücksendung“ beachten.



#### **WARNUNG!**

##### **Körperverletzungen, Sach- und Umweltschäden durch gefährliche Messstoffe**

Bei Kontakt mit gefährlichen Messstoffen (z. B. Acetylen, brennbaren oder giftigen Stoffen), gesundheitsgefährdenden Messstoffen (z. B. ätzend, giftig, krebserregend, radioaktiv) sowie bei Kälteanlagen, Kompressoren besteht die Gefahr von Körperverletzungen, Sach- und Umweltschäden.

- ▶ Am Gerät können im Fehlerfall aggressive Messstoffe mit extremer Temperatur und unter hohem Druck oder Vakuum anliegen.
- ▶ Bei diesen Messstoffen müssen über die gesamten allgemeinen Regeln hinaus die einschlägigen Vorschriften beachtet werden.
- ▶ Notwendige Schutzausrüstung tragen.



Kontaktdaten siehe Kapitel 1 „Allgemeines“ oder Rückseite der Betriebsanleitung.

## 6. Störungen

Bei Störungen zuerst überprüfen, ob der Strömungsschalter mechanisch und elektrisch korrekt montiert ist. Im unberechtigten Reklamationsfall werden Bearbeitungskosten berechnet.

### Fehleranzeige

Über das Display des Gerätes werden interne Fehler ausgegeben. Folgende Tabelle zeigt die Fehlercodes und deren Bedeutung.

Fehlercode	Beschreibung
ATT1	Bei Änderung des Schaltpunkts wurde der Rückschaltpunkt vom System automatisch herabgesetzt.
ATT3	Passworteingabe für den Menüzugang fehlerhaft
ATT4	TAG im Display nicht darstellbar (z. B. Sonderzeichen)
ERR	Interner Fehler
OL F	Messbereich Strömung überschritten $\geq 10\%$ (Display blinkt)
OL T	Messbereich Temperatur überschritten $\geq 5\text{ °C}$ (Display blinkt)
UL T	Messbereich Temperatur unterschritten $\leq 5\text{ °C}$ (Display blinkt)

Fehleranzeige durch Drücken der „Enter“-Taste bestätigen.

Störung	Mögliche Ursache	Maßnahme
Kein Ausgangssignal	Leitungsbruch	Durchgang überprüfen
Kein Ausgangssignal/Leitungsbruch	Zu hohe mechanische Belastung	Fühler durch geeignete Ausführung ersetzen
Kein Ausgangssignal	Keine/falsche Hilfsenergie	Hilfsenergie korrigieren
Kein/falsches Ausgangssignal	Verdrahtungsfehler	Anschlussbelegung beachten
Falsches Ausgangssignal	Prozesstemperatur außerhalb des Messbereiches; Sensordrift durch Übertemperatur	Temperaturbereich überprüfen
	Sensbruch/-kurzschluss	Gerät zum Hersteller senden
Falsches Ausgangssignal	Sensordrift durch chemischen Angriff	Medienverträglichkeit prüfen

## 6. Störungen / 7. Wartung und Reinigung

Störung	Mögliche Ursache	Maßnahme
Falsches Ausgangssignal und zu lange Ansprechzeit	Falsche Einbaugeometrie, z. B. zu geringe Einbautiefe und zu hohe Wärmeableitung	Temperaturempfindlichen Bereich des Sensors in das Medium bringen
	Ablagerung auf dem Sensor	Ablagerung entfernen
Signalspanne zu klein	Hilfsenergie zu hoch/niedrig	Hilfsenergie korrigieren
Signalspanne fällt ab	Feuchtigkeit eingetreten	Kabel korrekt montieren

## 7. Wartung und Reinigung

### 7.1 Wartung

Dieser Strömungsschalter ist wartungsfrei.

Reparaturen sind ausschließlich vom Hersteller durchzuführen.

### 7.2 Reinigung



#### **VORSICHT!**

#### **Ungeeignete Reinigungsmittel**

Eine Reinigung mit ungeeigneten Reinigungsmitteln kann Gerät und Typenschild beschädigen.

- ▶ Keine aggressiven Reinigungsmittel verwenden.
- ▶ Keine harten oder spitzen Gegenstände verwenden.
- ▶ Keine scheuernden Tücher oder Schwämme verwenden.

#### **Geeignete Reinigungsmittel**

- Wasser
- Handelsüblicher Geschirreiniger

#### **Gerät reinigen**

1. Strömungsschalter stromlos schalten.
2. Geräteoberfläche mit weichem, feuchten Tuch abwischen.



## 8. Demontage, Rücksendung und Entsorgung

### 8. Demontage, Rücksendung und Entsorgung

#### 8.1 Demontage



##### **WARNUNG!**

##### **Körperverletzungen, Sach- und Umweltschäden durch gefährliche Messstoffe**

Bei Kontakt mit gefährlichen Messstoffen (z. B. Acetylen, brennbaren oder giftigen Stoffen), gesundheitsgefährdenden Messstoffen (z. B. ätzend, giftig, krebserregend, radioaktiv) sowie bei Kälteanlagen, Kompressoren besteht die Gefahr von Körperverletzungen, Sach- und Umweltschäden.

- ▶ Am Gerät können im Fehlerfall aggressive Messstoffe mit extremer Temperatur und unter hohem Druck oder Vakuum anliegen.
- ▶ Notwendige Schutzausrüstung tragen.

#### Gerät demontieren

1. Anlage druck- und strömungsfrei schalten.
2. Strömungsschalter stromlos schalten.
3. Elektrische Verbindung trennen.
4. Strömungsschalter mit Schraubenschlüssel über Schlüsselfläche ausschrauben.

#### 8.2 Rücksendung

##### **Beim Versand des Gerätes unbedingt beachten:**

Alle an WIKA gelieferten Geräte müssen frei von Gefahrstoffen (Säuren, Laugen, Lösungen, etc.) sein und sind daher vor der Rücksendung zu reinigen.



##### **WARNUNG!**

##### **Körperverletzungen, Sach- und Umweltschäden durch Messstoffreste**

Messstoffreste im ausgebauten Gerät können zur Gefährdung von Personen, Umwelt und Einrichtung führen.

- ▶ Bei Gefahrenstoffen das Sicherheitsdatenblatt für den entsprechenden Messstoff beilegen.
- ▶ Gerät reinigen, siehe Kapitel 7.2 „Reinigung“.

## 8. Demontage, Rücksendung

Zur Rücksendung des Gerätes die Originalverpackung oder eine geeignete Transportverpackung verwenden.



Hinweise zur Rücksendung befinden sich in der Rubrik „Service“ auf unserer lokalen Internetseite.

DE

### 8.3 Entsorgung

Durch falsche Entsorgung können Gefahren für die Umwelt entstehen.

Gerätekomponenten und Verpackungsmaterialien entsprechend den landesspezifischen Abfallbehandlungs- und Entsorgungsvorschriften umweltgerecht entsorgen.

## 9. Technische Daten

## 9. Technische Daten

Technische Daten	
<b>Messbereiche</b>	
Strömung	Wasser: 5 ... 150 cm/s Öl: 3 ... 300 cm/s
Temperatur (Option)	-20 ... +85 °C (-4...+185 °F)
<b>Digitalanzeige</b>	
Typ	14-Segment-LED, rot, 4-stellig, Zeichenhöhe 9 mm (0,35 inch)
Darstellung	180° drehbar
<b>Ausgangssignale</b>	
Schaltausgang	PNP oder NPN
Analogsignal (Option)	4 ... 20 mA
Anschlussbelegung	siehe Typenschild
Skalierung (Temperatur)	Nullpunkt: -20 ... +5 °C Endwert: 60 ... 85 °C
Schaltswellen	Schaltpunkt 1 und Schaltpunkt 2 sind jeweils individuell einstellbar
Schaltfunktionen	Schließer, Öffner, Fenster, Hysterese Frei einstellbar
Schaltspannung	Hilfsenergie - 1 V
Schaltstrom	max. 250 mA
Einschaltdrift	10 s
Einschwingzeit	Strömung (0 ... 100 %, 100 ... 0 %): 6 s Strömung (50 ... 100 %, 100 ... 50 %): 4 s Temperatur $t_{90}$ : 4 s Temperatur $t_{63}$ : 2 s
Bürde	Analogsignal 4 ... 20 mA: $\leq 0,5 \text{ k}\Omega$
Lebensdauer	100 Millionen Schaltwechsel

DE

## 9. Technische Daten

### Technische Daten

#### Spannungsversorgung

Hilfsenergie	DC 15 ... 35 V
Stromverbrauch	<ul style="list-style-type: none"><li>■ Schaltausgang mit Analogsignal: 175 mA</li><li>■ Schaltausgang ohne Analogsignal: 150 mA</li></ul>
Gesamtstromaufnahme	max. 650 mA inklusive Schaltstrom

#### Genauigkeitsangaben

Nichtwiederholbarkeit	Strömung (5 ... 100 cm/s): $\pm 2$ cm/s Temperatur: 0,5 K
Genauigkeit bei Referenzbedingungen	Strömung (5 ... 100 cm/s): $\leq \pm 5$ % vom Messbereichsendwert Strömung (>100 ... 175 cm/s): $\leq \pm 10$ % vom Messbereichsendwert Temperatur: $\leq \pm 1,5$ K  Einschließlich Nichtlinearität, Hysterese, Nullpunkt- und Endwertabweichung (entspricht Messabweichung nach IEC 61298-2). Die Genauigkeit des Strömungsschalters weist eine Abhängigkeit zur Wärmeleitfähigkeit und Verschmutzung des Fühlers auf.
Temperaturfehler bei -20 ... +85 °C (-4 ... +185 °F)	$\leq \pm 0,4$ cm/s pro K

#### Referenzbedingungen

Umgebungstemperatur	15 ... 25 °C (59 ... 77 °F)
Luftdruck	860 ... 1.060 mbar (12,47 ... 15,38 psi)
Luftfeuchte	45 ... 75 % r. F.
Messstoff	Wasser
Hilfsenergie	DC 24 V
Einbaulage	Prozessanschluss M18 x 1,5 nach unten Rohrinnendurchmesser 26 mm Ein-/Auslaufstrecke: 1 m / 0,5 m Markierung zur Anströmseite $\pm 5^\circ$ Verdrehung
Bürde	100 $\Omega$

## 9. Technische Daten

### Technische Daten

#### Einsatzbedingungen

Zulässige Temperaturbereiche	Messstoff: -20 ... +85 °C (-4 ... +185 °F) Umgebung: -20 ... +80 °C (-4 ... +176 °F) Lagerung: -20 ... +80 °C (-4 ... +176 °F)
Luftfeuchtigkeit	45 ... 75 % r. F.
Max. Betriebsdruck	40 bar (30 bar bei Prozessanschluss M18 x 1,5) 580 psi (435 psi bei Prozessanschluss M18 x 1,5)
Vibrationsfestigkeit	6 g (IEC 60068-2-6, bei Resonanz)
Schockbelastbarkeit	50 g (IEC 60068-2-27, mechanisch)
Schutzart	IP65 und IP67  Die angegebenen Schutzarten gelten nur im gesteckten Zustand mit Gegensteckern entsprechender Schutzart.

#### Werkstoffe

Messstoffberührte Teile	Prozessanschluss, Fühler: CrNi-Stahl 316Ti
Nicht messstoffberührte Teile	Gehäuse: CrNi-Stahl 304 Tastatur: TPE-E Digitalanzeige: PC Anzeigekopf: PC+ABS-Blend

#### Elektrischer Anschluss

Anschluss	Rundstecker M12 x 1 (4-polig)
Kurzschlussfestigkeit	S+ / SP1 / SP2 gegen U-
Verpolungsschutz	U+ gegen U-
Isolationsspannung	DC 500 V
Überspannungsschutz	DC 40 V

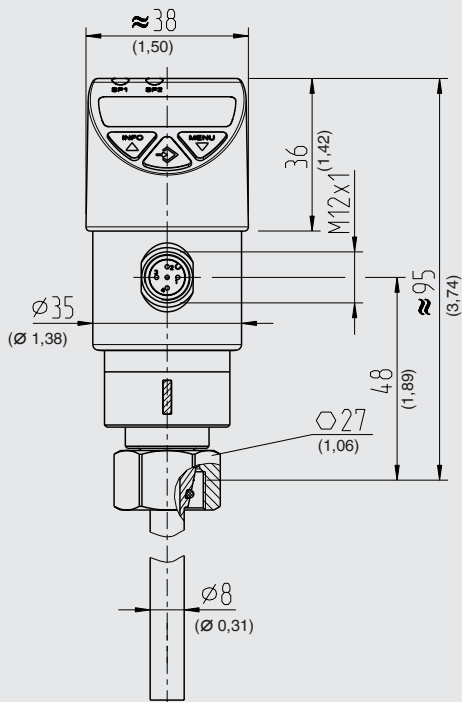
#### Zulassungen, Herstellerinformationen und Bescheinigungen

Zulassungen	siehe Typenschild
-------------	-------------------

Weitere technische Daten siehe WIKA-Datenblatt FL 80.01 und Bestellunterlagen.

## 9. Technische Daten

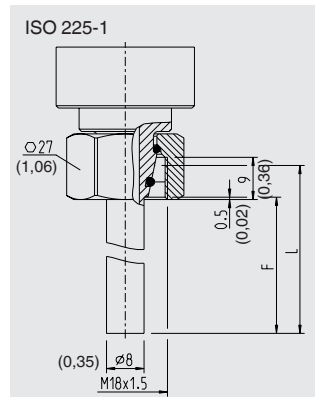
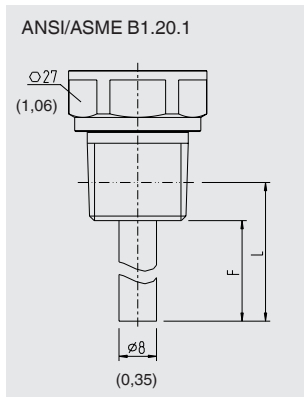
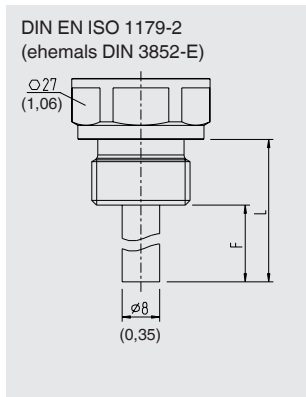
Abmessungen in mm (in)



Gewicht: ca. 0,3 kg (10,58 oz)

## 9. Technische Daten

### Prozessanschlüsse



DE

	Norm	Gewinde	Fühlerlänge F	Einbaulänge L
Option 1	ISO 225-1	M18 x 1,5	45 mm (1,77 in)	52 mm (2,05 in)
Option 2	DIN EN ISO 1179-2 (ehemals DIN 3852-E)	G ¼ A	16 mm (0,63 in)	28 mm (1,10 in)
Option 3	DIN EN ISO 1179-2 (ehemals DIN 3852-E)	G ½ A	16 mm (0,63 in)	30 mm (1,18 in)
Option 4	DIN EN ISO 1179-2 (ehemals DIN 3852-E)	G ½ A	35 mm (1,38 in)	49 mm (1,93 in)
Option 5	DIN EN ISO 1179-2 (ehemals DIN 3852-E)	G ½ A	65 mm (2,65 in)	79 mm (3,11 in)
Option 6	DIN EN ISO 1179-2 (ehemals DIN 3852-E)	G ½ A	105 mm (4,13 in)	119 mm (4,69 in)
Option 7	ANSI/ASME B1.20.1	¼ NPT	16 mm (0,63 in)	22 mm (0,87 in)
Option 8	ANSI/ASME B1.20.1	½ NPT	30 mm (1,18 in)	38 mm (1,50 in)



## 10. Zubehör und Ersatzteile

### 10. Zubehör und Ersatzteile

#### Dichtungen

	Beschreibung	Bestellnummer
	NBR Profildichtung G ¼ A DIN EN ISO 1179-2 (ehemals DIN 3852-E)	1537857
	FPM/FKM Profildichtung G ¼ A DIN EN ISO 1179-2 (ehemals DIN 3852-E)	1576534
	NBR Profildichtung G ½ A DIN EN ISO 1179-2 (ehemals DIN 3852-E)	1039067
	FPM/FKM Profildichtung G ½ A DIN EN ISO 1179-2 (ehemals DIN 3852-E)	1039075

#### Rundstecker M12 x 1 mit angespritztem Kabel

	Beschreibung	Temperaturbereich	Kabeldurchmesser	Bestellnummer
	Gerade Ausführung, offenes Ende, 4-polig, 2 m (6,6 ft) PUR-Kabel, UL listed, IP 67	-20 ... +80 °C (-4 ... +176 °F)	4,5 mm (0,18 in)	14086880
	Gerade Ausführung, offenes Ende, 4-polig, 5 m (16,4 ft) PUR-Kabel, UL listed, IP 67	-20 ... +80 °C (-4 ... +176 °F)	4,5 mm (0,18 in)	14086883
	Gerade Ausführung, offenes Ende, 4-polig, 10 m (32,8 ft) PUR-Kabel, UL listed, IP 67	-20 ... +80 °C (-4 ... +176 °F)	4,5 mm (0,18 in)	14086884
	Abgewinkelte Ausführung, offenes Ende, 4-polig, 2 m (6,6 ft) PUR-Kabel, UL listed, IP 67	-20 ... +80 °C (-4 ... +176 °F)	4,5 mm (0,18 in)	14086889
	Abgewinkelte Ausführung, offenes Ende, 4-polig, 5 m (16,4 ft) PUR-Kabel, UL listed, IP 67	-20 ... +80 °C (-4 ... +176 °F)	4,5 mm (0,18 in)	14086891
	Abgewinkelte Ausführung, offenes Ende, 4-polig, 10 m (32,8 ft) PUR-Kabel, UL listed, IP 67	-20 ... +80 °C (-4 ... +176 °F)	4,5 mm (0,18 in)	14086892



# 10. Zubehör und Ersatzteile

## Adapter

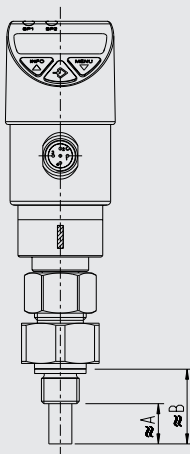
	Beschreibung	Empfohlen für Rohr Ø	B	A	Bestellnummer
	Von M18 x 1,5 auf G ¼	22 ... 50 mm (0,86 ... 0,97 in)	28 mm (1,10 in)	16 mm (0,63 in)	14242761
	Von M18 x 1,5 auf G ½ lang	25 ... 60 mm (0,98 ... 2,36 in)	31 mm (1,22 in)	17 mm (0,67 in)	14242759
	Von M18 x 1,5 auf G ½ kurz	32 ... 100 mm (1,26 ... 3,93 in)	36 mm (1,41 in)	22 mm (0,86 in)	14242760

### Legende

- A Maximale Fühlereintauchtiefe
- B Abstand Dichtfläche bis Fühlerspitze

## 10. Zubehör und Ersatzteile

FSD-3 mit Adapter



DE

### Legende

- A Maximale Fühlereintauchtiefe
- B Abstand Dichtfläche bis Fühlerspitze

## Sommaire

<b>1. Généralités</b>	<b>68</b>
<b>2. Conception et fonction</b>	<b>69</b>
<b>3. Sécurité</b>	<b>71</b>
<b>4. Transport, emballage et stockage</b>	<b>74</b>
<b>5. Mise en service, utilisation</b>	<b>75</b>
<b>6. Dysfonctionnements</b>	<b>86</b>
<b>7. Entretien et nettoyage</b>	<b>88</b>
<b>8. Démontage, retour et mise au rebut</b>	<b>89</b>
<b>9. Spécifications</b>	<b>91</b>
<b>10. Accessoires et pièces de rechange</b>	<b>96</b>

Déclarations de conformité disponibles en ligne sur [www.wika.com](http://www.wika.com)

## 1. Généralités

### 1. Généralités

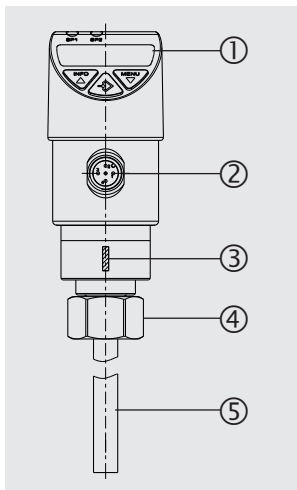
- L'instrument décrit dans le mode d'emploi est conçu et fabriqué selon les dernières technologies en vigueur. Tous les composants sont soumis à des exigences environnementales et de qualité strictes durant la fabrication. Nos systèmes de gestion sont certifiés selon ISO 9001 et ISO 14001.
- Ce mode d'emploi donne des indications importantes concernant l'utilisation de l'instrument. Il est possible de travailler en toute sécurité avec ce produit en respectant toutes les consignes de sécurité et d'utilisation.
- Respecter les prescriptions locales de prévention contre les accidents et les prescriptions générales de sécurité en vigueur pour le domaine d'application de l'instrument.
- Le mode d'emploi fait partie de l'instrument et doit être conservé à proximité immédiate de l'instrument et accessible à tout moment pour le personnel qualifié. Confier le mode d'emploi à l'utilisateur ou propriétaire ultérieur de l'instrument.
- Le personnel qualifié doit, avant de commencer toute opération, avoir lu soigneusement et compris le mode d'emploi.
- Les conditions générales de vente mentionnées dans les documents de vente s'appliquent.
- Sous réserve de modifications techniques.
- Pour obtenir d'autres informations :
  - Consulter notre site Internet : [www.wika.fr](http://www.wika.fr)
  - Fiche technique correspondante : FL 80.01
  - Conseiller applications :
    - Tel.: 0 820 951010 (0,15 €/min)
    - Fax: 0 891 035891 (0,35 €/min)
    - [info@wika.fr](mailto:info@wika.fr)

FR

## 2. Conception et fonction

## 2. Conception et fonction

### 2.1 Vue générale



- ① Affichage et panneau de contrôle
- ② Raccordement électrique
- ③ Marque d'installation
- ④ Raccord process, surfaces de clé
- ⑤ Capteur

FR

## 2. Conception et fonction

### 2.2 Description fonctionnelle

Le capteur de débit fonctionne d'après le principe calorimétrique et est utilisé pour convertir le débit en un signal électrique. L'instrument indique le débit en pourcentage sur l'affichage numérique.

En option, l'instrument mesure la température du fluide.

L'instrument peut produire jusqu'à deux signaux de sortie comme étant paramétrés.

- Signal de contact pour les valeurs limites de débit
- Signal de contact pour les valeurs limites de température
- Signal de contact pour la fonction de diagnostic
- Signal analogique de débit
- Signal analogique de température

### 2.3 Détail de la livraison

- Capteur de débit
- Mode d'emploi
- Accessoires pour raccord process (en option)
- Autres certificats (en option)

Comparer le détail de la livraison avec le bordereau de livraison.

FR

## 3. Sécurité

### 3. Sécurité

#### 3.1 Explication des symboles



##### **AVERTISSEMENT !**

... indique une situation présentant des risques susceptibles de provoquer la mort ou des blessures graves si elle n'est pas évitée.



##### **ATTENTION !**

... indique une situation potentiellement dangereuse et susceptible de provoquer de légères blessures ou des dommages matériels et pour l'environnement si elle n'est pas évitée.



##### **Information**

... met en exergue les conseils et recommandations utiles de même que les informations permettant d'assurer un fonctionnement efficace et normal.

#### 3.2 Utilisation conforme à l'usage prévu

Le capteur de débit est conçu et construit exclusivement pour une utilisation conforme à l'usage prévu décrit ici et ne doit être utilisé qu'en conséquence.

- Conversion du débit en un signal électrique.
- Pas d'installation dans des tuyaux descendants ouverts vers le bas
- Utilisation dans des bâtiments et à l'extérieur (éviter des températures ambiantes élevées et une exposition directe aux UV)
- Ambiance avec un degré de pollution maximal de 3.
- Tension d'alimentation avec catégorie de surtension II.
- Température ambiante entre -20 ... +80 °C.
- Température fluide entre -20 ... +85 °C.
- Humidité relative entre 45 ... 75 % h.r.
- Utilisation dans des buts commerciaux dans un environnement industriel.

## 3. Sécurité

Le capteur de débit est utilisé pour la surveillance de pertes de débit et d'assèchements. Avec un signal analogique, le capteur de débit ne devrait être utilisé que comme un indicateur de tendance, afin de surveiller les changements de processus, telles que le blocage d'un filtre.

Utiliser le capteur de débit uniquement pour des applications qui se trouvent dans les limites de ses performances techniques.

→ Pour limites de performance voir chapitre 9 "Spécifications"

S'abstenir de modifications non autorisées sur le capteur de débit.

Toute utilisation différente ou au-delà de l'utilisation prévue est considérée comme inappropriée.

Aucune réclamation ne peut être recevable en cas d'utilisation non conforme à l'usage prévu.

### 3.3 Qualification du personnel

#### Personnel qualifié

Le personnel qualifié, autorisé par l'opérateur, est, en raison de sa formation spécialisée, de ses connaissances dans le domaine de l'instrumentation de mesure et de régulation et de son expérience, de même que de sa connaissance des réglementations nationales et des normes en vigueur, en mesure d'effectuer les travaux décrits et d'identifier de façon autonome les dangers potentiels.

Les conditions d'utilisation spéciales exigent également une connaissance adéquate, par ex. des liquides agressifs.

FR

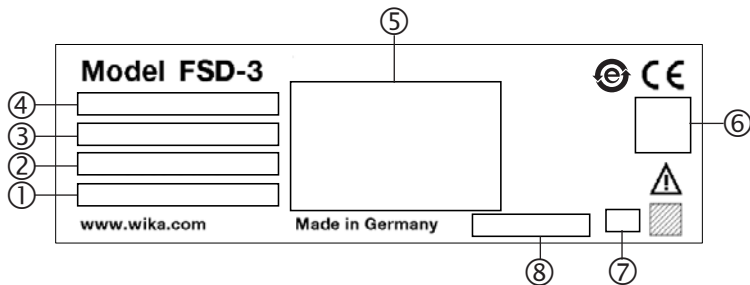


## 3. Sécurité

### 3.4 Etiquetage, marquages de sécurité

#### Plaque signalétique

Si le numéro de série devient illisible à cause de dommages mécaniques ou de peinture, aucune traçabilité n'est plus possible.



- |                                   |  |
|-----------------------------------|--|
| ① S# N° Série                     | ⑤ Configuration du raccordement (y compris spécifications) |
| ② P# N° Produit                   | ⑥ Agréments  |
| ③ Etendue de mesure (température) | ⑦ Date de fabrication codée                                |
| ④ Etendue de mesure (débit)       | ⑧ Limitation maximale de pression                          |



Lire impérativement le mode d'emploi avant le montage et la mise en service de l'instrument !



Tension DC

## 4. Transport, emballage et stockage

### 4. Transport, emballage et stockage

#### 4.1 Transport

Vérifier s'il y a des dégâts sur le capteur de débit liés au transport.  
Communiquer immédiatement les dégâts constatés.

FR

#### 4.2 Emballage et stockage

N'enlever l'emballage qu'avant le montage.

Conserver l'emballage, celui-ci offre, lors d'un transport, une protection optimale (par ex. changement de lieu d'utilisation, renvoi pour réparation).

#### Conditions admissibles sur le lieu de stockage :

- Température de stockage : -20 ... +80 °C
- Humidité : 45 ... 75 % d'humidité relative (sans condensation)

#### Éviter les influences suivantes :

- Lumière solaire directe ou proximité d'objets chauds
- Vibrations mécaniques, chocs mécaniques (mouvements brusques en le posant)
- Suie, vapeur, poussière et gaz corrosifs
- Environnement humide et mouillé
- Environnements dangereux, atmosphères inflammables

## 5. Mise en service, utilisation

### 5. Mise en service, utilisation

#### 5.1 Montage mécanique

Le capteur de débit ne doit être utilisé qu'en parfait état de sécurité technique.

Avant la mise en service, le capteur de débit doit être soumis à un contrôle visuel.

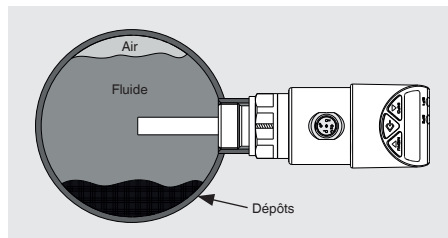
La mise en service et la manipulation de l'instrument ne doivent être effectuées que par du personnel qualifié, voir chapitre 3.3 "Qualification du personnel".

##### 5.1.1 Exigences concernant le lieu d'installation

La position d'installation et la longueur du capteur sont extrêmement importantes pour la qualité et la fiabilité des résultats de mesure.

Le lieu d'installation doit remplir les conditions suivantes :

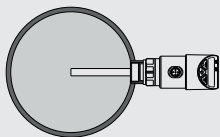
- Les surfaces d'étanchéité sont propres et intactes.
- Un espace suffisant pour une installation électrique en toute sécurité.
- Pour obtenir des informations concernant les trous taraudés et les embases à souder, voir les Informations techniques IN 00.14 sur [www.wika.fr](http://www.wika.fr).
- Les températures ambiantes et du fluide admissibles restent dans les limites de leurs performances. Considérer les restrictions possibles sur la plage de température ambiante causée par le contre-connecteur utilisé.  
→ Pour limites de performance voir chapitre 9 "Spécifications"
- L'extrémité du capteur doit être complètement entourée de fluide.
- Positionner l'extrémité du capteur dans la zone où règne le débit maximum (centre du tuyau).
- La profondeur d'immersion minimale du capteur est  $L \geq 16$  mm.
- L'extrémité du capteur ne doit pas toucher la paroi opposée.



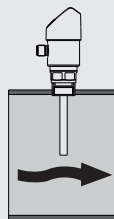
## 5. Mise en service, utilisation

### 5.1.2 Positions d'installation recommandées

#### Tuyauteries horizontales

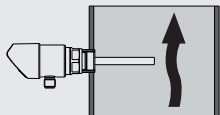


Seulement si la tuyauterie est exempte de dépôts.



Seulement si la tuyauterie est complètement remplie avec du fluide.

#### Tuyaux ascendants et tuyauteries verticales



Il est interdit d'installer le capteur de débit dans des tuyauteries qui sont ouvertes vers le bas. Une telle utilisation ne correspond pas à l'utilisation prévue.

## 5. Mise en service, utilisation

### 5.1.3 Alignement du capteur

Lors de l'installation mécanique du FSD-3, vérifiez que la marque d'installation pointe dans la direction opposée à la direction d'écoulement du fluide.

### 5.1.4 Étanchéité

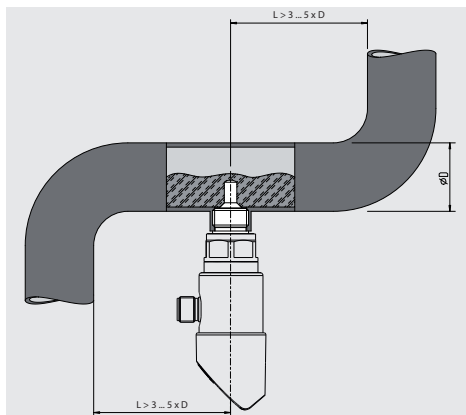
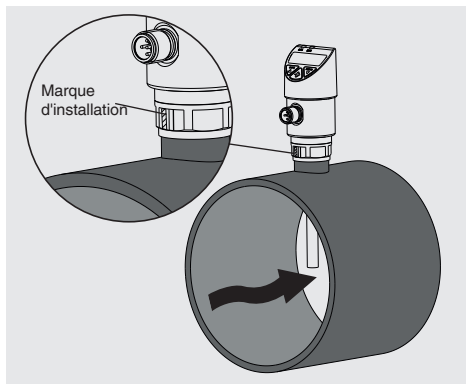
Pour l'étanchéité des raccord process avec des filetages parallèles, utiliser des joints d'étanchéité plats, des bagues d'étanchéité de type lentille ou des joints à écrasement WIKA sur la face d'étanchéité. Pour des filetages coniques (par exemple des filetages NPT), l'étanchéité doit se faire sur les filetages en utilisant des matériaux d'étanchéité supplémentaires, comme par exemple la bande PTFE (EN 837-2).



Pour obtenir plus d'informations sur le scellage, voir la fiche de données WIKA AC 09.08 ou sous [www.wika.fr](http://www.wika.fr).

### 5.1.5 Interférences perturbatrices dans le système de tuyauterie

Pour donner une mesure correcte, le capteur de débit nécessite un profil de débit totalement caractérisé. C'est pourquoi il faut avoir des sections de tranquillisation dans la tuyauterie après une pompe, un coude, des pièces installées et des modifications dans la section transversale.



FR

## 5. Mise en service, utilisation

### 5.1.6 Montage de l'instrument



la couple maximum dépend du point d'installation (par exemple matériau et forme). Si vous avez des questions, veuillez contacter notre conseiller applications.

→ Pour le détail des contacts voir le chapitre 1 "Généralités" ou au dos du mode d'emploi.

FR

Si on utilise un adaptateur de raccord process (en option), il faut d'abord le visser sur le point de montage à la main et ensuite le serrer au moyen d'une clé dynamométrique. Utiliser le joint d'étanchéité compris dans la livraison.

1. Dépressuriser le système et éteindre le flux.
2. Sceller le raccord process (→ voir "Variantes de joints d'étanchéité").
3. Au point d'installation, visser le capteur de débit en serrant à la main.
4. Serrer avec une clé dynamométrique en utilisant des surfaces de clé.

### 5.2 Montage électrique

#### Exigences concernant la tension d'alimentation

Alimentation : 15... 35 VDC

L'alimentation électrique pour le capteur de débit doit être effectuée au moyen d'un circuit électrique limité en énergie en conformité avec la section 9.3 de UL/EN/CEI 61010-1 ou un LPS pour UL/EN/CEI 60950-1 ou classe 2 en conformité avec UL1310/UL1585 (NEC ou CEC). La tension d'alimentation doit convenir pour un fonctionnement au-dessus de 2.000 m dans le cas où le capteur de débit serait utilisé à cette altitude.

#### Exigences concernant le blindage et la mise à la terre

Le capteur de débit doit être isolé et mis à la terre en conformité avec le concept de mise à la terre de l'installation.

L'instrument doit être mis à la terre par le raccord process.


#### Connexion de l'instrument

1. Assembler le contre-connecteur.,  
→ voir la configuration du raccordement
2. Etablir la connexion.

## 5. Mise en service, utilisation

### Configuration du raccordement

#### Connecteur circulaire M12 x 1 (4 plots)

	U+	1
	U-	3
	S+	2
	SP1	4
	SP2	2

#### Légende :

U+	Alimentation positive
U-	Alimentation négative
SP1	Sortie de commutation 1
SP2	Sortie de commutation 2
S+	Sortie analogique

FR

## 5. Mise en service, utilisation

### 5.3 Modes de fonctionnement

#### Démarrage du système

- L'affichage est pleinement activé pour 2 secondes
- Lorsque le capteur de débit est alimenté dans les limites de l'étendue de l'hystérésis, le contact de sortie est placé sur "non activé" par défaut.

FR

#### Mode d'affichage

Fonctionnement normal, affichage d'une valeur de débit ou de température (en fonction du réglage)




#### Mode de programmation

Réglage des paramètres

Le réglage en usine est effectué avec de l'eau comme fluide. Il est recommandé d'effectuer le réglage en fonction des débits minimum/maximum du système, au moyen du menu (→ voir chapitre 5.6 "Réglage")

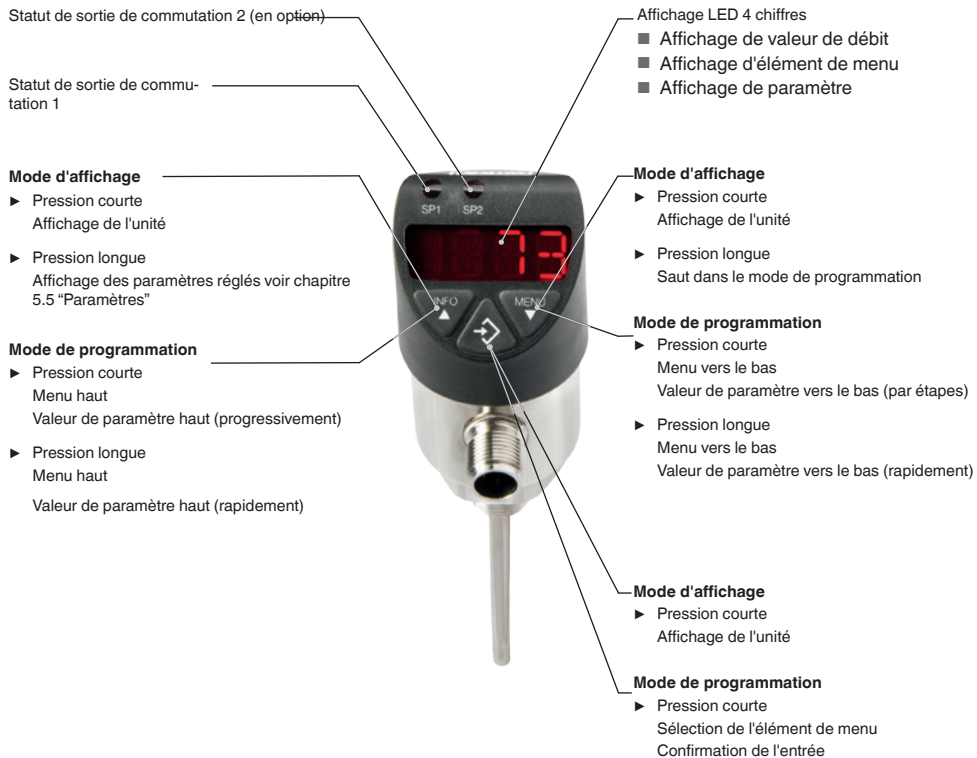
### 5.4 Touches et fonctions

Le capteur de débit a deux modes de fonctionnement, le mode affichage et le mode programmation. Le mode de fonctionnement qui aura été choisi détermine la fonction respective de la touche.

Touche	Fonction
	<b>Saut dans le mode de programmation</b> Pressez la touche "MENU" pendant environ 5 secondes. Si le mot de passe est réglé sur $\neq 0000$ , on va vous demander tout d'abord un mot de passe. Si l'authentification est couronnée de succès, alors elle entre en mode programmation, sinon elle revient en mode affichage.
 	<b>Retour au mode d'affichage</b> On presse les deux touches simultanément.



## 5. Mise en service, utilisation



FR

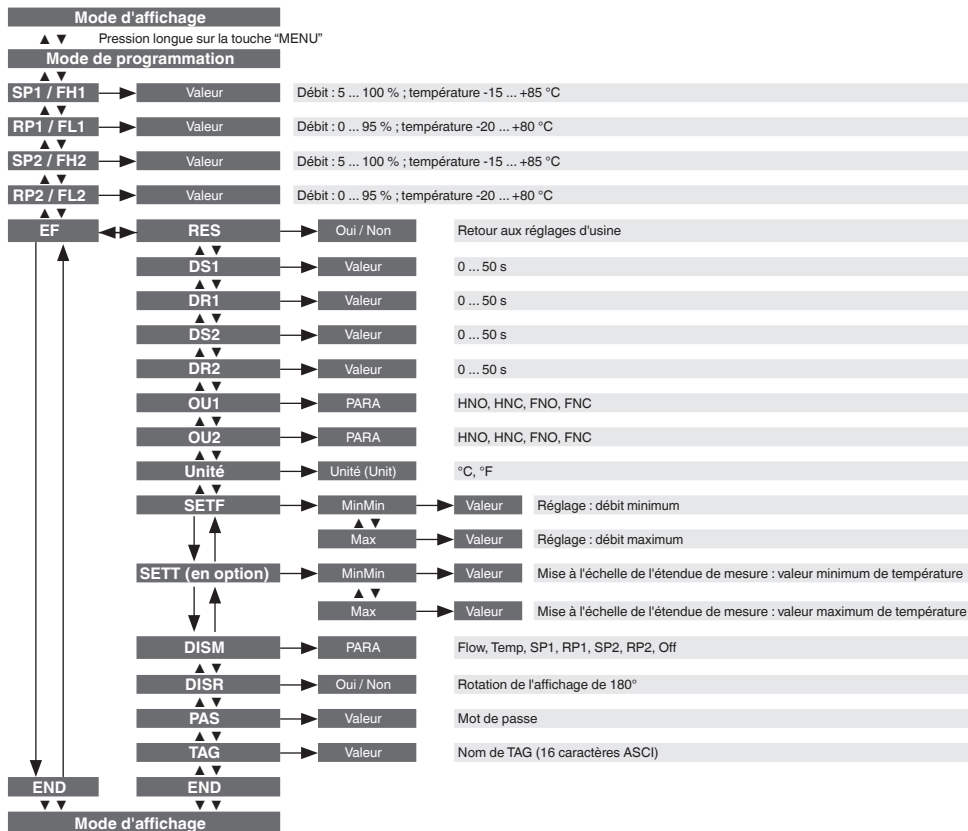
## 5. Mise en service, utilisation

### 5.5 Paramètre

Paramètre	Description
SP1/SP2	Fonction d'hystérésis : point de seuils, sortie de commutation (1 ou 2)
FH1/FH2	Fonction de fenêtre : fenêtre haute sortie de commutation (1 ou 2)
RP1/RP2	Fonction d'hystérésis : point de reset, sortie de commutation (1 ou 2)
FL1/FL2	Fonction fenêtre : fenêtre basse sortie de commutation (1 ou 2)
EF	Fonctions de programmation étendues
RES	Réinitialiser les paramètres aux valeurs d'usine
DS1/DS2	Durée de retard de commutation, qui doit se produire sans interruption avant que tout changement de signal électrique ne survienne (SP1 ou SP2)
DR1/DR2	Durée de retard de commutation, qui doit se produire sans interruption avant que tout changement de signal électrique ne survienne (RP1 ou RP2)
OU1 / OU2	Fonction de commutation sortie de commutation (1 ou 2) HNO = fonction d'hystérésis, normalement ouverte HNC = fonction d'hystérésis, normalement fermée FNO = fonction de fenêtre, normalement ouverte FNC = fonction de fenêtre, normalement fermée
Unité	Commuation d'unité
SETF	Réglage : débit minimum et maximum
SETT (en option)	Mise à l'échelle de l'étendue de mesure : sortie de température 4 ... 20 mA "Min" détermine à quelle température le signal de sortie doit être de 4 mA. "Max" détermine à quelle température le signal de sortie doit être de 20 mA.
DISM	Valeur d'affichage en mode affichage FLOW = valeur actuelle de débit ; TEMP = valeur actuelle de température ; OFF = extinction de l'affichage ; SP1/FH1 = fonction point de seuils 1, RP1/FL1 = fonction point de retour 1, SP2/FH2 = fonction point de seuils 2, RP2/FL2 = fonction point de retour 2
DISR	Rotation de l'affichage de 180°
PAS	Entrée du mot de passe, 0000 = aucun mot de passe; entrée de mot de passe chiffre par chiffre
TAG	Entrée d'un numéro de point de mesure alphanumérique à 16 chiffres

# 5. Mise en service, utilisation

## Menu



FR

14153887\_02\_08/2017 EN/DE/FR/ES

## 5. Mise en service, utilisation

### 5.6 Réglage

1. Dépressuriser le système et éteindre le flux.
2. Installer le capteur de débit et le connecter électriquement.  
(→ se référer aux chapitres 5.1 "Installation mécanique" et 5.2 "Installation électrique")
3. Rappeler l'élément de menu "SETF" ► "MIN" et confirmer "0".
4. Régler le débit maximum dans le système.  
Respecter les étendues de mesure (→ voir chapitre 9 "Spécifications").
5. Rappeler l'élément de menu "SETF" ► "MAX" et confirmer "100".

### 5.7 Fonctions de commutation

#### Fonction d'hystérésis

Si le taux de débit fluctue autour du point de réglage, l'hystérésis stabilise le statut de commutation des sorties. En augmentant le taux de débit, la sortie commute lorsqu'elle atteint le point de seuil (SP).

- Contact normalement ouvert (HNO) : activé
- Contact normalement fermé (HNC) : inactivé

Si le taux de débit retombe, la sortie ne re-commutera pas avant que le point de retour (RP) ait été atteint.

- Contact normalement ouvert (HNO) : inactivé
- Contact normalement fermé (HNC) : activé

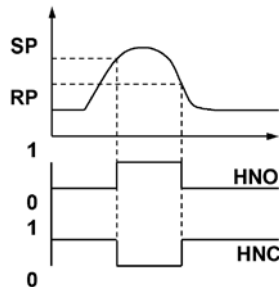


Fig. : fonction d'hystérésis

## 5. Mise en service, utilisation

### Fonction de fenêtre

La fonction de fenêtre permet le contrôle d'une étendue définie.

Lorsque le taux de débit se trouve entre fenêtre haute (FH) et fenêtre basse (FL), la sortie est activée.

- Contact normalement ouvert (FNO) : activé
- Contact normalement fermé (FNC) : inactivé

Lorsque le taux de débit se trouve en-dehors de fenêtre haute (FH) et fenêtre basse (FL), la sortie n'est pas activée.

- Contact normalement ouvert (FNO) : inactivé
- Contact normalement fermé (FNC) : activé

### Temps de temporisation (0 ... 50 s)

Ceci donne la possibilité de filtrer les pics de débit indésirables de courte durée ou de haute fréquence (amortissement).

Le taux de débit doit être présent durant au moins une certaine durée pré-réglée pour que la sortie soit activée. La sortie ne change pas immédiatement son statut lorsqu'elle atteint la situation de commutation (SP), mais plutôt seulement après que la durée de temporisation pré-réglée soit écoulée (DS).

Si la situation de commutation n'est plus présente après écoulement de la durée de temporisation, la sortie de commutation ne change pas.

La sortie ne recommute que lorsque le débit est retombé au point de retour (RP) et reste à ce point ou en-dessous pour au moins la durée de retardement qui a été réglée (DR).

Si la situation de commutation n'est plus présente après écoulement de la durée de temporisation, la sortie de commutation ne change pas.

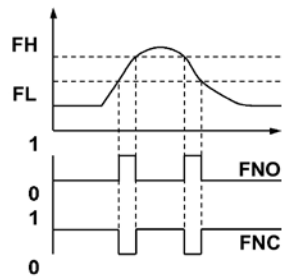


Fig. : fonction de fenêtre

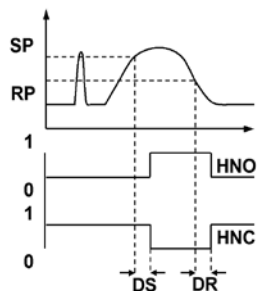


Fig. : temps de temporisation

### 6. Dysfonctionnements



#### **ATTENTION !**

#### **Blessures physiques, dommages aux équipements et à l'environnement**

Si des pannes ne peuvent être éliminées au moyen des mesures ici énumérées, le capteur de débit doit être immédiatement mis hors service.

- ▶ Assurez-vous qu'il n'y a plus aucune tension présente et empêchez toute remise en marche accidentelle.
- ▶ Contacter le fabricant.
- ▶ S'il est nécessaire de retourner l'instrument au fabricant, respecter les indications mentionnées au chapitre 8.2 "Retour".



#### **AVERTISSEMENT !**

#### **Blessures physiques et dommages aux équipements et à l'environnement causés par un fluide dangereux**

Lors du contact avec un fluide dangereux (par ex. acétylène, substances inflammables ou toxiques), un fluide nocif (par ex. corrosif, toxique, cancérigène, radioactif), et également avec des installations de réfrigération et des compresseurs, il y a un danger de blessures physiques et de dommages aux équipements et à l'environnement.

- ▶ En cas d'erreur, des fluides agressifs peuvent être présents à une température extrême et sous une pression élevée ou sous vide au niveau de l'instrument.
- ▶ Pour ces fluides, les codes et directives appropriés existants doivent être observés en plus des réglementations standard.
- ▶ Porter l'équipement de protection requis.



Pour le détail des contacts voir le chapitre 1 "Généralités" ou au dos du mode d'emploi.

En cas de panne, vérifier d'abord si le capteur de débit est installé correctement, au niveau mécanique et électrique. Si la réclamation n'est pas justifiée, nous vous facturerons les frais de traitement de la réclamation.

## 6. Dysfonctionnements

### Erreur d'affichage

Par l'affichage de l'instrument, les erreurs internes sont indiquées.

Le tableau suivant indique les codes d'erreur et leur signification.

Code d'erreur	Description
ATT1	Lorsqu'on change le point de seuils, le système réduit automatiquement le point de retour
ATT3	Le mot de passe entré pour l'accès au menu est incorrect
ATT4	TAG ne peut pas être indiqué sur l'affichage (par exemple caractères spéciaux)
ERR	Erreur interne
OL F	Etendue de mesure de débit dépassée $\geq 10\%$ (l'affichage clignote)
OL T	Etendue de mesure de température dépassée $\geq 5\%$ (l'affichage clignote)
UL T	En-dessous de l'étendue de mesure de température $\leq 5\text{ °C}$ (l'affichage clignote)

On reconnaît un affichage d'erreur en pressant la touche "Enter".

Défaut	Cause possible	Mesure
Pas de signal de sortie	Câble sectionné	Vérifier la continuité
Aucune signal de sortie/Rupture de câble	Charge mécanique trop élevée	Remplacer le capteur avec une conception adaptée
Pas de signal de sortie	Pas de / mauvaise alimentation	Corriger l'alimentation
Pas de / mauvais signal de sortie	Erreur de raccordement électrique	Observer la configuration du raccordement
Mauvais signal de sortie	Température de process hors de l'étendue de mesure, dérive du capteur causée par une température trop élevée	Vérifier la plage de température
	Rupture de capteur/Court-circuit	Envoyer l'instrument au fabricant
Mauvais signal de sortie	Dérive du capteur causée par une attaque chimique	Vérifier la compatibilité avec des produits chimiques

## 6. Dysfonctionnements / 7. Entretien et nettoyage

Défaut	Cause possible	Mesure
Signal de sortie incorrect et temps de réponse trop long	Géométrie de montage incorrecte, par exemple profondeur de montage trop profonde ou dissipation thermique trop élevée	Déplacer la zone thermosensible du capteur vers l'intérieur du fluide
	Dépôt sur le capteur	Enlever le dépôt
Echelle de signaux trop petite	Alimentation trop élevée / basse	Corriger l'alimentation
Plage de signaux tombe	L'humidité a pénétrée	Monter le câble correctement

## 7. Entretien et nettoyage

### 7.1 Entretien

Ce capteur de débit est sans entretien.

Les réparations ne doivent être effectuées que par le fabricant.

### 7.2 Nettoyage



#### **ATTENTION !**

#### **Agents de nettoyage inappropriés peuvent endommager l'instrument**

Un nettoyage avec des agents de nettoyage inappropriés peut endommager l'instrument et la plaque signalétique.

- ▶ Ne pas utiliser de détergents agressifs.
- ▶ Ne pas utiliser d'objets durs ou pointus.
- ▶ Ne pas utiliser de chiffons abrasifs ou d'éponges abrasives.

#### **Agents de nettoyage appropriés**

- Eau
- Liquide vaisselle conventionnel

#### **Nettoyage de l'instrument**

1. Débrancher le capteur de débit du secteur.
2. Essuyer la surface de l'instrument avec un chiffon doux et humide.



## 8. Démontage, retour et mise au rebut

### 8. Démontage, retour et mise au rebut

#### 8.1 Démontage



##### **AVERTISSEMENT !**

##### **Blessures physiques et dommages aux équipements et à l'environnement causés par un fluide dangereux**

Lors du contact avec un fluide dangereux (par ex. acétylène, substances inflammables ou toxiques), un fluide nocif (par ex. corrosif, toxique, cancérigène, radioactif), et également avec des installations de réfrigération et des compresseurs, il y a un danger de blessures physiques et de dommages aux équipements et à l'environnement.

- ▶ En cas d'erreur, des fluides agressifs peuvent être présents à une température extrême et sous une pression élevée ou sous vide au niveau de l'instrument.
- ▶ Porter l'équipement de protection requis.

#### Démontage de l'instrument

1. Dépressuriser le système et éteindre le flux.
2. Débrancher le capteur de débit du secteur.
3. Déconnecter l'alimentation électrique.
4. Dévisser le capteur de débit avec une clé en utilisant les parties plates de la clé.

#### 8.2 Retour

##### **En cas d'envoi de l'instrument, il faut respecter impérativement ceci :**

Tous les instruments livrés à WIKA doivent être exempts de substances dangereuses (acides, bases, solutions, etc.) et doivent donc être nettoyés avant d'être retournés.



##### **AVERTISSEMENT !**

##### **Blessures physiques et dommages aux équipements et à l'environnement liés aux résidus de fluides**

Les restes de fluides se trouvant dans les instruments démontés peuvent mettre en danger les personnes, l'environnement ainsi que l'installation.

- ▶ Avec les substances dangereuses, inclure la fiche technique de sécurité de matériau pour le fluide correspondant.
- ▶ Nettoyer l'instrument, voir chapitre 7.2 "Nettoyage".

## 8. Démontage, retour

Pour retourner l'instrument, utiliser l'emballage original ou un emballage adapté pour le transport.



Des informations relatives à la procédure de retour sont disponibles sur notre site Internet à la rubrique "Services".

FR

### 8.3 Mise au rebut

Une mise au rebut inadéquate peut entraîner des dangers pour l'environnement.

Éliminer les composants des instruments et les matériaux d'emballage conformément aux prescriptions nationales pour le traitement et l'élimination des déchets et aux lois de protection de l'environnement en vigueur.

## 9. Spécifications

## 9. Spécifications

Spécifications	
<b>Etendues de mesure</b>	
Éléments primaires pour la mesure de débit	Eau: 5 ... 150 cm/s Huile: 3 ... 300 cm/s
Température (en option)	-20 ... +85 °C (-4 ... 185 °F)
<b>Affichage numérique</b>	
Type	LED 14 segments, rouge, 4 digits, hauteur de caractère 9 mm (0,35 in)
Illustration	Orientable sur 180°
<b>Signaux de sortie</b>	
Sortie de commutation	PNP ou NPN
Signal analogique (en option)	4 ... 20 mA
Configuration du raccordement	voir plaque signalétique
Mise à l'échelle (température)	Point zéro : -20 ... +5 °C Pleine échelle : 60 ... 85 °C
Seuils de commutation	Le point de seuil 1 et le point de seuil 2 sont réglables individuellement
Fonctions de commutation	Normalement ouvert, normalement fermé, voyant, hystérésis librement réglable
Tension de commutation	Alimentation - 1 V
Courant de commutation	max. 250 mA
Dérive au démarrage	10 s
Temps de stabilisation	Débit (0 ... 100 %, 100 ... 0 %) : 6 s Débit (50 ... 100 %, 100 ... 50 %) : 4 s Température $t_{90}$ : 4 s Température $t_{63}$ : 2 s
Charge	$\leq 0,5 \text{ k}\Omega$
Durée de vie	100 millions de cycles de commutation

FR

## 9. Spécifications

### Spécifications

#### Tension d'alimentation

Alimentation 15 ... 35 VDC

#### Consommation de courant

- Sortie de commutation avec signal de sortie analogique : 175 mA
- Sortie de commutation sans signal de sortie analogique : 150 mA

#### Consommation de courant totale

maximum 650 mA y compris le courant de commutation

#### Caractéristiques de précision

##### Non-répétabilité

Débit (5 ... 100 cm/s) :  $\pm 2$  cm/s  
Température: 0,5 K

##### Précision aux conditions de référence

Débit (5 ... 100 cm/s) :  $\leq \pm 5$  % de la valeur finale de l'étendue de mesure  
Débit (>100 ... 175 cm/s) :  $\leq \pm 10$  % de la valeur finale de l'étendue de mesure  
Température:  $\leq \pm 1,5$  K

Incluant la non-linéarité, l'hystérésis, les déviations du point zéro et de valeur finale (correspond à l'erreur de mesure selon CEI 61298-2).  
La précision du capteur de débit dépend de la conductivité thermique et de la contamination du capteur.

##### Erreur de température sur la plage de -20 ... +85 °C (-4 ... +185 °F)

$\leq \pm 0,4$  cm/s pour K

#### Conditions de référence

##### Température ambiante

15 ... 25 °C (59 ... 77 °F)

##### Pression atmosphérique

860 ... 1.060 mbar (12,47 ... 15,38 psi)

##### Humidité

45 ... 75 % h. r.

##### Fluide

Eau

##### Alimentation

24 VDC

##### Position de montage

Raccord process M18 x 1,5 vers le bas  
Diamètre intérieur de la tuyauterie 26 mm  
Tuyau en amont/en aval : 1 m / 0,5 m  
Marquage vers la torsion côté amont de  $\pm 5^\circ$

##### Charge

100  $\Omega$

## 9. Spécifications

### Spécifications

#### Conditions de fonctionnement

Plages de température admissibles	Fluide : -20 ... +85 °C (-4 ... +185 °F) Ambiante : -20 ... +80 °C (-4 ... +176 °F) Stockage : -20 ... +80 °C (-4 ... +176 °F)
Humidité	45 ... 75 % h. r.
Pression de service maximale	40 bar (30 bar avec raccord process M18 x 1,5) 580 psi (435 psi avec raccord process M18 x 1,5)
Résistance aux vibrations	6 g (CEI 60068-2-6, sous résonance)
Résistance aux chocs	50 g (CEI 60068-2-27, mécanique)
Indice de protection	IP65 et IP67 L'indice de protection mentionné n'est valable que lorsque le contre-connecteur possède également l'indice de protection requis.

#### Matériaux

Parties en contact avec le fluide	Raccord process, capteur : acier inox 316Ti
Parties non en contact avec le fluide	Boîtier : acier inox 304 Clavier : TPE-E Affichage numérique : PC Tête d'affichage : mélange PC + ABS

#### Raccordement électrique

Raccord	Connecteur circulaire M12 x 1 (4 plots)
Résistance court-circuit	S+ / SP1 / SP2 vs. U-
Protection contre l'inversion de polarité	U+ vs. U-
Tension d'isolement	500 VDC
Protection contre la surtension	40 VDC

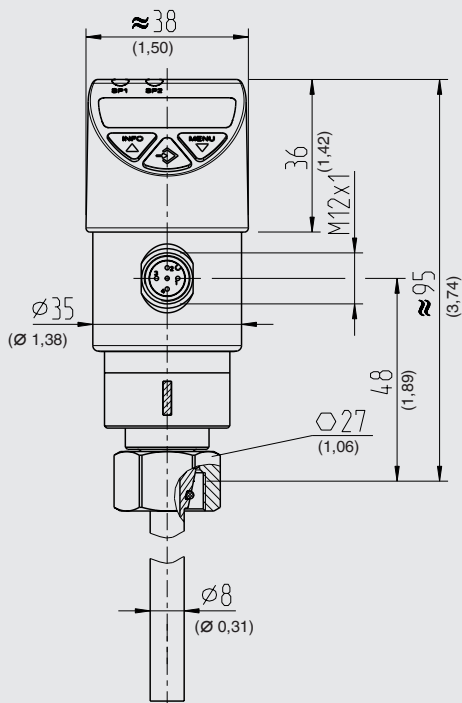
#### Agréments, informations et certificats du fabricant

Agréments	voir plaque signalétique
-----------	--------------------------

Pour de plus amples spécifications, voir la fiche technique WIKA FL 80.01 et la documentation de commande.

## 9. Spécifications

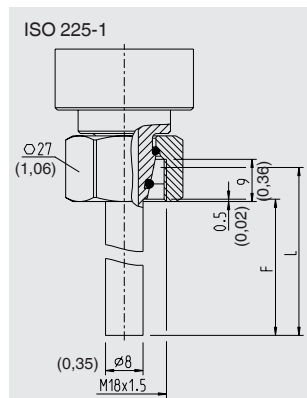
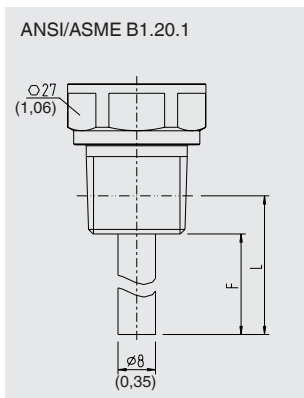
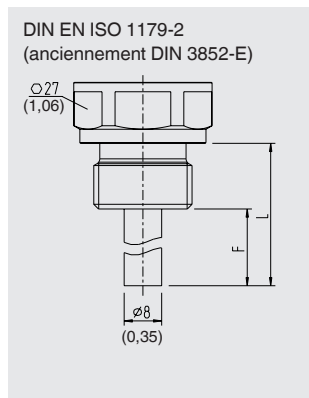
Dimensions en mm (pouces)



Poids: environ 0,3 kg (10,58 oz)

## 9. Spécifications

### Raccords process



FR

	Standard	Filetage	Longueur du capteur F	Longueur utile L
Option 1	ISO 225-1	M18 x 1,5	45 mm (1,77 in)	52 mm (2,05 in)
Option 2	DIN EN ISO 1179-2 (anciennement DIN 3852-E)	G ¼ A	16 mm (0,63 in)	28 mm (1,10 in)
Option 3	DIN EN ISO 1179-2 (anciennement DIN 3852-E)	G ½ A	16 mm (0,63 in)	30 mm (1,18 in)
Option 4	DIN EN ISO 1179-2 (anciennement DIN 3852-E)	G ½ A	35 mm (1,38 in)	49 mm (1,93 in)
Option 5	DIN EN ISO 1179-2 (anciennement DIN 3852-E)	G ½ A	65 mm (2,65 in)	79 mm (3,11 in)
Option 6	DIN EN ISO 1179-2 (anciennement DIN 3852-E)	G ½ A	105 mm (4,13 in)	119 mm (4,69 in)
Option 7	ANSI/ASME B1.20.1	¼ NPT	16 mm (0,63 in)	22 mm (0,87 in)
Option 8	ANSI/ASME B1.20.1	½ NPT	30 mm (1,18 in)	38 mm (1,50 in)


## 10. Accessoires et pièces de rechange

### 10. Accessoires et pièces de rechange

#### Joint d'étanchéité

	Description	Code article
 	Joint à écrasement NBR G ¼ A DIN EN ISO 1179-2 (anciennement DIN 3852-E)	1537857
	Joint à écrasement FPM/FKM G ¼ A DIN EN ISO 1179-2 (anciennement DIN 3852-E)	1576534
	Joint à écrasement NBR G ½ A DIN EN ISO 1179-2 (anciennement DIN 3852-E)	1039067
	Joint à écrasement FPM/FKM G ½ A DIN EN ISO 1179-2 (anciennement DIN 3852-E)	1039075

#### Connecteur circulaire M12 x 1 avec câble moulé

	Description	Plage de température	Diamètre de câble	Code article
	Version droite, extrémité ouverte, 4 plots, câble PUR de 2 m (6,6 ft), homologué UL, IP 67	-20 ... +80 °C (-4 ... 176 °F)	4,5 mm (0,18 pouces)	14086880
	Version droite, extrémité ouverte, 4 plots, câble PUR de 5 m (16,4 ft), homologué UL, IP 67	-20 ... +80 °C (-4 ... 176 °F)	4,5 mm (0,18 pouces)	14086883
	Version droite, extrémité ouverte, 4 plots, câble PUR de 10 m (32,8 ft), homologué UL, IP 67	-20 ... +80 °C (-4 ... 176 °F)	4,5 mm (0,18 pouces)	14086884
	Version coudée, extrémité ouverte, 4 plots, câble PUR de 2 m (6,6 ft), homologué UL, IP 67	-20 ... +80 °C (-4 ... 176 °F)	4,5 mm (0,18 pouces)	14086889
	Version coudée, extrémité ouverte, 4 plots, câble PUR de 5 m (16,4 ft), homologué UL, IP 67	-20 ... +80 °C (-4 ... 176 °F)	4,5 mm (0,18 pouces)	14086891
	Version coudée, extrémité ouverte, 4 plots, câble PUR de 10 m (32,8 ft), homologué UL, IP 67	-20 ... +80 °C (-4 ... 176 °F)	4,5 mm (0,18 pouces)	14086892



## 10. Accessoires et pièces de rechange

### Adaptateur

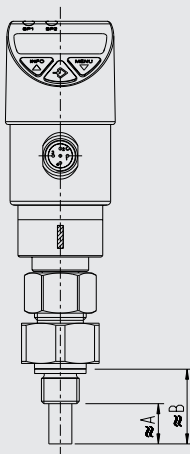
	Description	Recommandé pour Ø de tuyau	B	A	Code article
	De M18 x 1,5 à G ¼	22 ... 50 mm (0,86 ... 0,97 in)	28 mm (1,10 pouces)	16 mm (0,63 pouces)	14242761
	De M18 x 1,5 à G ½ longue	25 ... 60 mm (0,98 ... 2,36 in)	31 mm (1,22 pouces)	17 mm (0,67 in)	14242759
	De M18 x 1,5 à G ½ court	32 ... 100 mm (1,26 ... 3,93 in)	36 mm (1,41 pouces)	22 mm (0,86 pouces)	14242760

#### Légende

- A Profondeur d'immersion maximale du capteur
- B Distance entre la surface d'étanchéité et l'extrémité du capteur

## 10. Accessoires et pièces de rechange

### FSD-3 avec adaptateur



FR

#### Légende

- A Profondeur d'immersion maximale du capteur
- B Distance entre la surface d'étanchéité et l'extrémité du capteur

## Contenido

<b>1. Información general</b>	<b>100</b>
<b>2. Diseño y función</b>	<b>101</b>
<b>3. Seguridad</b>	<b>103</b>
<b>4. Transporte, embalaje y almacenamiento</b>	<b>106</b>
<b>5. Puesta en servicio, funcionamiento</b>	<b>107</b>
<b>6. Errores</b>	<b>118</b>
<b>7. Mantenimiento y limpieza</b>	<b>120</b>
<b>8. Desmontaje, devolución y eliminación de residuos</b>	<b>121</b>
<b>9. Datos técnicos</b>	<b>123</b>
<b>10. Accesorios y piezas de recambio</b>	<b>128</b>

Declaraciones de conformidad puede encontrar en [www.wika.es](http://www.wika.es)

## 1. Información general

### 1. Información general

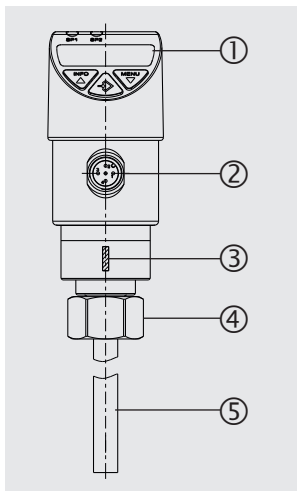
- El instrumento descrito en el manual de instrucciones está construido y fabricado según el estado actual de la técnica. Todos los componentes están sujetos a rigurosos criterios de calidad y medio ambiente durante la producción. Nuestros sistemas de gestión están certificados según ISO 9001 e ISO 14001.
- Este manual de instrucciones proporciona indicaciones importantes acerca del manejo del instrumento. Para un trabajo seguro, es imprescindible cumplir con todas las instrucciones de seguridad y manejo indicadas.
- Cumplir siempre las normativas sobre la prevención de accidentes y las normas de seguridad en vigor en el lugar de utilización del instrumento.
- El manual de instrucciones es una parte integrante del instrumento y debe guardarse en la proximidad del mismo para que el personal especializado pueda consultarlo en cualquier momento. Entregar el manual de instrucciones al usuario o propietario siguiente del instrumento.
- El personal especializado debe haber leído y entendido el manual de instrucciones antes de comenzar cualquier trabajo.
- Se aplican las condiciones generales de venta incluidas en la documentación de venta.
- Modificaciones técnicas reservadas.
- Para obtener más informaciones consultar:
  - Página web: [www.wika.es](http://www.wika.es)
  - Hoja técnica correspondiente: FL 80.01
  - Servicio técnico: Tel.: +49 9372 132-8976  
Fax: +49 9372 132-8008976  
[info@wika.es](mailto:info@wika.es)

ES

## 2. Diseño y función

## 2. Diseño y función

### 2.1 Resumen



- ① Panel de visualización y manejo
- ② Conexión eléctrica
- ③ Marca de montaje
- ④ Conexión al proceso, área para llave
- ⑤ Sensor

ES

## 2. Diseño y función

### 2.2 Descripción del funcionamiento

El detector de caudal funciona según el principio calorimétrico y sirve para convertir la velocidad de fluido en una señal eléctrica. El instrumento indica la velocidad de caudal porcentual en el indicador digital.

Opcionalmente, el instrumento detecta la temperatura del medio.

El instrumento puede emitir hasta 2 señales de salida en función de la parametrización:

- Señal de conmutación para valores límite caudal
- Señal de conmutación para valores límite temperatura
- Señal de conmutación para función de diagnóstico
- Señal analógica caudal
- Señal analógica temperatura

### 2.3 Alcance del suministro

- Detector de caudal
- Manual de instrucciones
- Accesorios conexión a proceso (opcional)
- Otras certificaciones y certificados (opcional)

Comparar mediante el albarán si se han entregado todas las piezas.

## 3. Seguridad

### 3. Seguridad

#### 3.1 Explicación de símbolos



##### **¡ADVERTENCIA!**

... indica una situación probablemente peligrosa que puede causar la muerte o lesiones graves si no se la evita.



##### **¡CUIDADO!**

... indica una situación probablemente peligrosa que puede causar lesiones leves o medianas, o daños materiales y medioambientales, si no se la evita.



##### **Información**

... destaca consejos y recomendaciones útiles así como informaciones para una utilización eficiente y libre de errores.

#### 3.2 Uso conforme a lo previsto

El detector de caudal ha sido diseñado y construido únicamente para la finalidad aquí descrita y debe utilizarse en conformidad a la misma.

- Conversión de velocidades de fluido en una señal eléctrica.
- No está permitido el montaje en tubos descendentes abiertos hacia abajo.
- Utilización en edificios y al aire libre (evitar temperaturas ambientes elevadas y alta radiación UV).
- El ambiente debe tener un grado de suciedad 3 como máximo.
- Suministro de energía de la categoría de sobretensión II.
- Temperatura ambiente entre -20 ... +80 °C.
- Temperatura del medio entre -20 ... +85 °C.
- Humedad relativa entre 45 ... 75 % h. r.
- Utilización para fines comerciales en entornos industriales.

## 3. Seguridad

El detector de caudal sirve para supervisar la pérdida de flujo y la marcha en seco. La señal analógica debe utilizarse solo como indicador de tendencia para supervisar modificaciones del proceso como, p. ej., saturación de filtros.

Utilizar el detector de caudal únicamente en aplicaciones que están dentro de sus límites de rendimiento técnicos.  
→ Para límites de rendimiento véase el capítulo 9 “Datos técnicos”.

Abstenerse realizar modificaciones no autorizadas del detector de caudal.  
Cualquier uso que no sea el previsto para este dispositivo es considerado como uso incorrecto.  
No se admite ninguna reclamación debido a una utilización no conforme a lo previsto.

### 3.3 Cualificación del personal

#### Personal especializado

Debido a su formación profesional, a sus conocimientos de la técnica de regulación y medición así como a su experiencia y su conocimiento de las normativas, normas y directivas vigentes en el país de utilización el personal especializado autorizado por el usuario es capaz de ejecutar los trabajos descritos y reconocer posibles peligros por sí solo.

Algunas condiciones de uso específicas requieren conocimientos adicionales, p. ej. acerca de medios agresivos.

ES

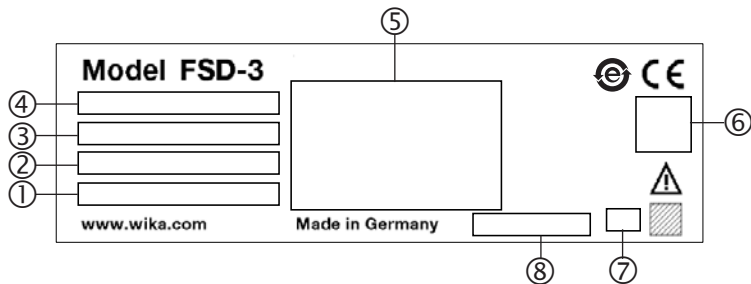


## 3. Seguridad

### 3.4 Rótulos, marcajes de seguridad

#### Placa de identificación

Si el número de serie queda ilegible por daños mecánicos o tras pintar por encima, ya no se puede mantener la trazabilidad.



- |                                   |   |
|-----------------------------------|---|
| ① S# n° de serie                  | ⑤ Detalles del conexionado (incl. datos técnicos) |
| ② P# n° de artículo               | ⑥ Homologaciones                                  |
| ③ Rango de medición (temperatura) | ⑦ Fecha de fabricación codificada                 |
| ④ Rango de medición (caudal)      | ⑧ Carga de presión máx.                           |



¡Es absolutamente necesario leer el manual de instrucciones antes del montaje y la puesta en servicio del instrumento!



Corriente continua

## 4. Transporte, embalaje y almacenamiento

### 4. Transporte, embalaje y almacenamiento

#### 4.1 Transporte

Comprobar si el detector de caudal presenta eventuales daños causados en el transporte.  
Notificar daños obvios de forma inmediata.

#### 4.2 Embalaje y almacenamiento

No quitar el embalaje hasta justo antes del montaje.

Guardar el embalaje ya que es la protección ideal durante el transporte (por ejemplo si el lugar de instalación cambia o si se envía el instrumento para posibles reparaciones).

#### Condiciones admisibles en el lugar de almacenamiento:

- Temperatura de almacenamiento: -20 ... +80 °C
- Humedad: 45 ... 75 % de humedad relativa (sin rocío)

#### Evitar lo siguiente:

- Luz solar directa o proximidad a objetos calientes
- Vibración mecánica, impacto mecánico (colocación brusca)
- Hollín, vapor, polvo y gases corrosivos
- Entorno húmedo o mojado
- Entorno potencialmente explosivo, atmósferas inflamables

ES

## 5. Puesta en servicio, funcionamiento

### 5. Puesta en servicio, funcionamiento

#### 5.1 Montaje mecánico

Utilizar el detector de caudal sólo si encuentra en condiciones de funcionamiento absolutamente seguras.

Comprobar el detector de caudal visualmente antes de utilizarlo.

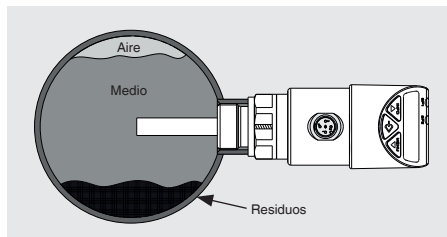
La puesta en servicio y la utilización del instrumento las debe efectuar solamente personal especializado, véase el capítulo 3.3 "Cualificación del personal".

##### 5.1.1 Exigencias referentes al lugar de montaje

La posición de montaje y la longitud del sensor son de gran importancia para la calidad y la fiabilidad de los resultados de medición.

El lugar de montaje debe cumplir con las condiciones siguientes:

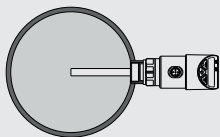
- Las superficies están limpias y sin daños.
- Suficiente espacio para una instalación eléctrica.
- Las indicaciones sobre taladros para roscar y para soldar se detallan en nuestra información técnica IN 00.14 en [www.wika.es](http://www.wika.es).
- Las temperaturas ambiente y del medio admisibles se mantienen dentro de los límites de rendimiento. Tener en cuenta eventuales limitaciones del rango de temperatura ambiente debido al conector hembra utilizado.  
→ Para límites de rendimiento véase el capítulo 9 "Datos técnicos".
- La punta del sensor debe ser completamente rodeada por el medio.
- Posicionar la punta del sensor en la zona de la velocidad de caudal máxima (centro del tubo).
- La profundidad de inmersión mínima del sensor es  $L \geq 16$  mm.
- La punta del sensor no debe tocar la pared opuesta.



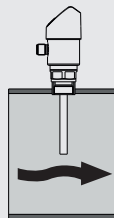
## 5. Puesta en servicio, funcionamiento

### 5.1.2 Posiciones de montaje recomendadas

#### Tubos horizontales

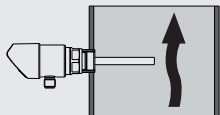


Solo si la tubería está libre de sedimentos.



Solo si la tubería está llenada completamente de medio.

#### Tubos ascendentes y tubos verticales



No está permitido el montaje del detector de caudal en tubos descendentes abiertos hacia abajo. Este caso de aplicación no corresponde al uso conforme a lo previsto.

## 5. Puesta en servicio, funcionamiento

### 5.1.3 Orientación del sensor

Durante el montaje mecánico del FSD-3 se debe prestar atención a que la marca de montaje esté orientada en sentido contrario al sentido de flujo.

### 5.1.4 Sellado

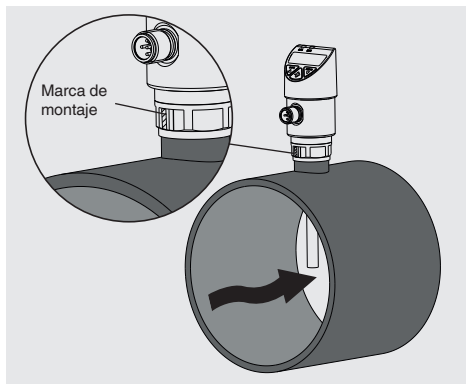
Para el sellado de las conexiones al proceso con roscas rectas en la superficie de obturación se deben instalar juntas planas, arandelas o juntas perfiladas WIKA. Para roscas cónicas (por ejemplo, roscas NPT) se realiza el cierre en la rosca con material de cierre complementario, como por ejemplo, cinta PTFE (EN 837-2).



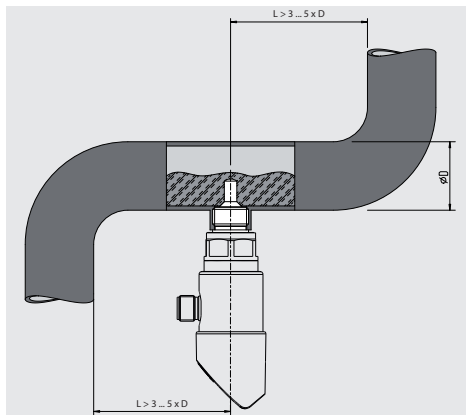
Para notas acerca de las juntas, véase hoja técnica WIKA AC 09.08 o [www.wika.es](http://www.wika.es).

### 5.1.5 Fuentes de perturbación en el sistema de conductos

El detector de caudal necesita un perfil de flujo laminar para una medición correcta. Por esta razón, en la tubería se deben prever secciones tranquilizadas después de una bomba, un codo, elementos montados y cambios de la sección transversal.



ES



## 5. Puesta en servicio, funcionamiento

### 5.1.6 Montaje del instrumento



El par de apriete máx. depende del lugar de montaje (por ej. material y forma). Si tiene preguntas póngase en contacto con nuestro servicio técnico.  
→ Datos de contacto ver capítulo 1 "Información general" o parte posterior del manual de instrucciones.

Si se utiliza un adaptador de conexión a proceso (opcional), primero atornillarlo manualmente en el punto de montaje y luego apretarlo mediante una llave dinamométrica. Utilizar la junta suministrada.

1. Despresurizar la instalación y desactivar el caudal.
2. Roscar el adaptador a la tubería (→ véase "Variantes de obturación").
3. Atornillar manualmente el detector de caudal en el lugar de montaje.
4. Apretar mediante llave dinamométrica utilizando las áreas para llave.

### 5.2 Montaje eléctrico

#### Exigencias referentes a la alimentación de corriente

Alimentación auxiliar: DC 15 ... 35 V

Utilizar un circuito eléctrico con límite de energía según el párrafo 9.3 de UL/EN/IEC 61010-1 o LPS según UL/EN/IEC 60950-1 o Clase 2 según UL1310/UL1585 (NEC o CEC) para alimentar el detector de caudal. La alimentación de corriente debe ser adecuada para aplicaciones en alturas superiores a 2.000 metros s. n. m., si se quiere utilizar el detector de caudal a partir de esas alturas.

#### Exigencias referentes al blindaje y a la puesta a tierra

El detector de caudal debe ser blindado y puesto a tierra conformemente al concepto de puesta a tierra de la instalación. Poner a tierra el instrumento a través de la conexión.

#### Conexión del instrumento

1. Confeccionar el conector hembra.  
→ véase Detalles del conexionado
2. Establecer la conexión macho-hembra.

## 5. Puesta en servicio, funcionamiento

### Detalles del conexionado

#### Conector circular, M12 x 1 (4-pin)



U+	1
U-	3
S+	2
SP1	4
SP2	2

#### Legenda:

U+	Alimentación positiva
U-	Alimentación negativa
SP1	Salida de conmutación 1
SP2	Salida de conmutación 2
S+	Salida analógica

ES

## 5. Puesta en servicio, funcionamiento

### 5.3 Modos de servicio

#### Arranque del sistema

- La pantalla se activa sin interrupción durante 2 segundos.
- Al arrancar el detector de caudal en el rango de la histéresis, el interruptor de salida se pone de manera estándar en “no activo”.

#### Modo de visualización

Actividad normal de trabajo, visualización del caudal o de la temperatura (en función del ajuste)



#### Modo de programación

Ajustar los parámetros

El ajuste desde fábrica se realiza con agua. Se recomienda un ajuste mediante el menú de los caudales mín./máx. de la instalación (→ véase el capítulo 5.6 "Reglaje")

### 5.4 Teclas y funciones

El detector de caudal cuenta con dos modos de servicio, el modo de visualización y el modo de programación. El modo de servicio seleccionado determina la correspondiente función de la tecla.

Tecla	Funcionamiento
	<b>Salto al modo de programación</b> Pulsar la tecla "MENU" durante aprox. 5 segundos. Si está configurada la contraseña ≠ 0000, se requerirá la introducción de una contraseña. Tras la confirmación se accede al modo de programación; de otro modo, se regresa al modo de visualización.
	<b>Regreso al modo de visualización</b> Accionamiento simultáneo de ambas teclas.



## 5. Puesta en servicio, funcionamiento

Estado salida de conmutación 2 (opcional)

Estado salida de conmutación 1

### Modo de visualización

- ▶ Accionamiento breve  
Visualización de la unidad
- ▶ Accionamiento largo  
Para visualización de los parámetros ajustados, véase el capítulo 5.5 "Parámetros"

### Modo de programación

- ▶ Accionamiento breve  
Menú hacia arriba  
Parámetro hacia arriba (gradualmente)
- ▶ Accionamiento largo  
Menú hacia arriba  
Parámetro hacia arriba (rápido)



Indicador LED de 4 dígitos

- Visualización del valor de caudal
- Visualización de la opción del menú
- Visualización de los parámetros

### Modo de visualización

- ▶ Accionamiento breve  
Visualización de la unidad
- ▶ Accionamiento largo  
Salto al modo de programación

### Modo de programación

- ▶ Accionamiento breve  
Menú hacia abajo  
Parámetro hacia abajo (gradualmente)
- ▶ Accionamiento largo  
Menú hacia abajo  
Parámetro hacia abajo (rápido)

### Modo de visualización

- ▶ Accionamiento breve  
Visualización de la unidad

### Modo de programación

- ▶ Accionamiento breve  
Selección de la opción del menú  
Confirmación de la introducción

ES

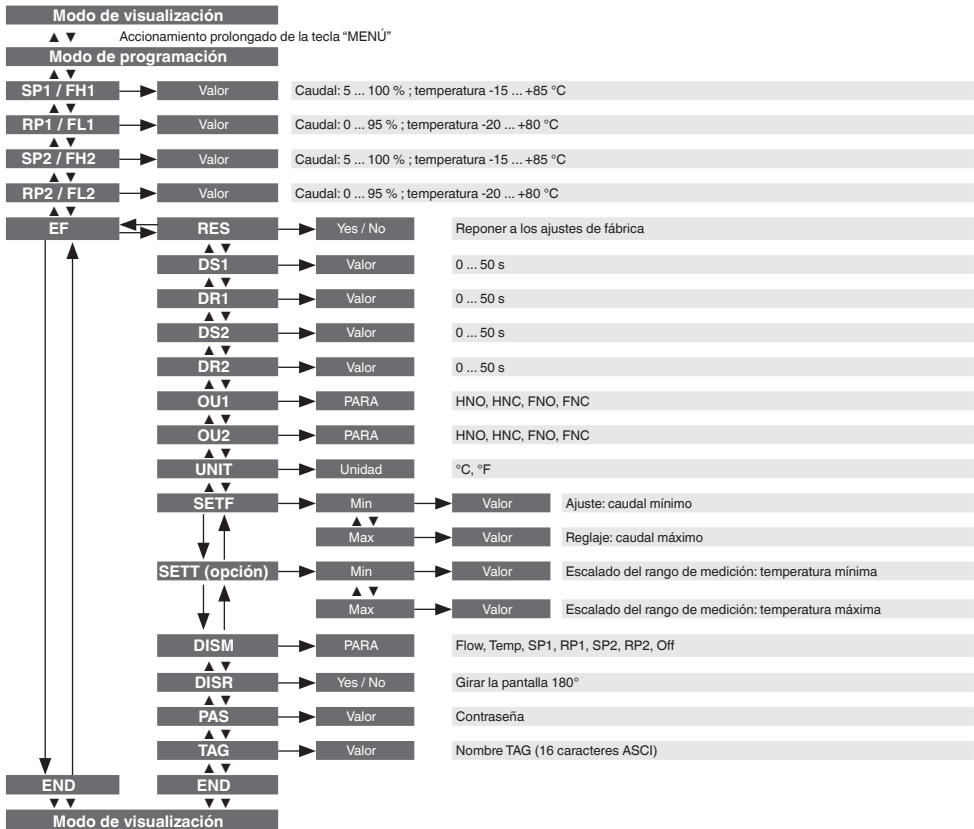
## 5. Puesta en servicio, funcionamiento

### 5.5 Parámetro

Parámetro	Descripción
SP1/SP2	Función de histéresis: punto de conmutación de la salida de conexión (1 o 2)
FH1/FH2	Función de ventana: ventana High de la salida de conexión (1 o 2)
RP1/RP2	Función de histéresis: punto de rearme de la salida de conexión (1 o 2)
FL1/FL2	Función de ventana: ventana Low de la salida de conexión (1 o 2)
EF	Funciones de programación ampliadas
RES	Reponer los parámetros ajustados a los ajustes de fábrica
DS1/DS2	Tiempo de retraso para que activen los contactos (SP1 o SP2)
DR1/DR2	Tiempo de retraso para rearmar los contactos (RP1 o RP2)
OU1/OU2	Función de conmutación de la salida de conexión (1 o 2) HNO = función de histéresis, contacto normalmente abierto HNC = histéresis, contacto normalmente cerrado FNO = función de ventana, contacto normalmente abierto FNC = función de ventana, contacto normalmente cerrado
UNIT	Conmutación de la unidad
SETF	Ajuste: caudal mínimo y máximo
SETT (opción)	Escalado del rango de medición para la salida de temperatura de 4 ... 20 mA "Min" determina con qué valor de temperatura la señal de salida es de 4 mA. "Max" determina con qué valor de temperatura la señal de salida es de 20 mA.
DISM	Valor visualizado en el modo de pantalla FLOW = Valor de caudal actual; TEMP = Valor de temperatura actual; OFF = Indicador desconectado; SP1/FH1 = Función punto de conmutación 1, RP1/FL1 = Función punto de rearme 1, SP2/FH2 = Función punto de conmutación 2, RP2/FL2 = Función punto de rearme 2
DISR	Girar la pantalla 180°
PAS	Introducción de la contraseña, 0000 = sin contraseña; introducción de la contraseña dígito por dígito
TAG	Introducción del número alfanumérico de 16 dígitos del punto de medición

## 5. Puesta en servicio, funcionamiento

### Menü



## 5. Puesta en servicio, funcionamiento

### 5.6 Reglaje

1. Despresurizar la instalación y parar el caudal.
2. Montar el detector de caudal y conectarlo eléctricamente.  
(→ véase el capítulo 5.1 "Montaje mecánico" y 5.2 "Montaje eléctrico")
3. Ejecutar la opción del menú "SETF" ► "MIN" y confirmar "0".
4. Ajustar el caudal máximo en la instalación.  
Tener en cuenta los rangos de medición (→ véase el capítulo 9 "Datos técnicos").
5. Ejecutar la opción del menú "SETF" ► „MAX" y confirmar "100".

### 5.7 Funciones de conmutación

#### Función de histéresis

Si la velocidad de caudal oscila alrededor del valor nominal, se mantiene estable el estado de conmutación de las salidas. Al aumentar la velocidad de caudal, la salida conmuta al alcanzarse el punto de conmutación (SP).

- Contacto de trabajo (HNO): activo
- Contacto de ruptura (HNC): inactivo

Si la velocidad de caudal vuelve a caer, la salida conmuta a la posición anterior tan solo una vez alcanzado el punto de rearme (RP).

- Contacto de trabajo (HNO): inactivo
- Contacto de ruptura (HNC): activo

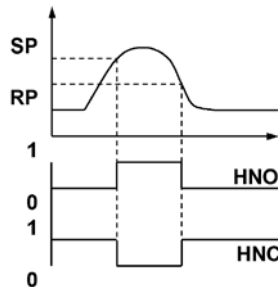


Fig.: Función de histéresis

## 5. Puesta en servicio, funcionamiento

### Función de ventana

La función de ventana permite de controlar una zona determinada.

Si la velocidad de caudal se encuentra entre la ventana High (FH) y la ventana Low (FL), la salida conmuta.

- Contacto de trabajo (FNO): activo
- Contacto de ruptura (FNC): inactivo

Si la velocidad de caudal se encuentra fuera de la ventana High (FH) y la ventana Low (FL), la salida no conmuta.

- Contacto de trabajo (FNO): inactivo
- Contacto de ruptura (FNC): activo

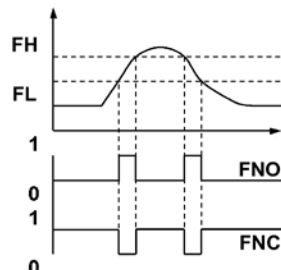


Fig.: Función de ventana

### Tiempo de recuperación (de 0 a 50 s)

Así pueden filtrarse los picos de caudal breves o de alta frecuencia no deseados (amortiguación).

Para que la salida conmute, la velocidad de caudal debe mantenerse por lo menos el tiempo preajustado. La salida no cambia su estado inmediatamente después de alcanzar el evento de conmutación (SP), sino una vez expirado el tiempo de retardo ajustado (DS).

Si el evento de conmutación ya no está presente después de la terminación del tiempo de recuperación, la salida de conexión no se modifica.

La salida conmuta a la posición anterior tan solo cuando la velocidad de caudal ha caído al punto de retroceso (RP) y permanece en dicho punto o por debajo de él por lo menos el tiempo de retardo (DR) ajustado.

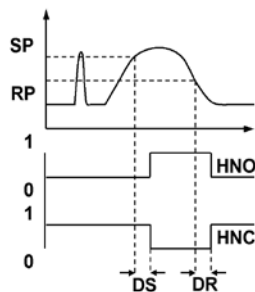


Fig.: Tiempos de retardo

Si el evento de conmutación ya no está presente después de la terminación del tiempo de recuperación, la salida de conexión no se modifica.

### 6. Errores



#### ¡CUIDADO!

##### **Lesiones corporales, daños materiales y del medio ambiente**

Si no se pueden solucionar los defectos aplicando las medidas mencionadas se debe poner el detector de caudal inmediatamente fuera de servicio.

- ▶ Asegurar que el dispositivo no esté más bajo tensión y disponer las medidas necesarias para evitar una puesta en marcha accidental.
- ▶ Contactar con el fabricante.
- ▶ Si desea devolver el instrumento, observar las indicaciones en el capítulo 8.2 “Devolución”.



#### ¡ADVERTENCIA!

##### **Lesiones corporales, daños materiales y del medio ambiente causados por medios peligrosos**

En caso de contacto con medios peligrosos (p. ej. acetileno, inflamables o tóxicos) medios nocivos para la salud (p. ej. corrosivos, tóxicos, cancerígenos radioactivos) y con sistemas de refrigeración o compresores existe el peligro de lesiones corporales, daños materiales y del medio ambiente.

- ▶ En caso de fallo es posible que haya medios agresivos con temperaturas extremas o de bajo presión o que haya un vacío en el instrumento.
- ▶ Con estos medios deben observarse en cada caso, además de todas las reglas generales, las disposiciones pertinentes.
- ▶ Utilizar el equipo de protección necesario.

Datos de contacto ver capítulo 1 “Información general” o parte posterior del manual de instrucciones.

## 6. Errores

En caso de averías, verificar en primer lugar la conexión mecánica y eléctrica del detector de caudal.  
En caso de reclamación injustificada se facturarán los costes de tramitación.

### Indicación de errores

En la pantalla del instrumento se visualizan los errores internos.  
La siguiente tabla muestra los códigos de fallo y su significado.

Código de error	Descripción
ATT1	Modificando el punto de conmutación se ha rebajado automáticamente el punto de rearme del sistema.
ATT3	La contraseña para el acceso al menú no correcta
ATT4	TAG no puede ser visualizado en la pantalla (p. ej. caracteres especiales)
ERR	Error interno
OL F	Superado el rango de medición caudal $\geq 10\%$ (pantalla parpadea)
OL T	Superado el rango de medición temperatura $\geq 5\text{ °C}$ (pantalla parpadea)
UL T	No alcanzado el rango de medición temperatura $\leq 5\text{ °C}$ (pantalla parpadea)

Confirmar la indicación de errores pulsando la tecla "Enter".

Fallo	Posible causa	Medida
Ninguna señal de salida	Cable roto	Comprobar el paso
Ninguna señal de salida/rotura de cable	Carga mecánica excesiva	Sustituir el sensor por una versión adecuada
Ninguna señal de salida	Energía auxiliar errónea/ausente	Corregir la corriente auxiliar
Señal de salida ausente/errónea	Error de cableado	Tener en cuenta detalles del conexionado
Señal de salida errónea	Temperatura del proceso fuera del rango de medición; desviación por sobretemperatura	Comprobar el rango de temperatura
	Rotura/cortocircuito del sensor	Enviar el instrumento al fabricante

## 6. Errores / 7. Mantenimiento y limpieza

Fallo	Posible causa	Medida
Señal de salida errónea	Desviación por ataque químico	Comprobar la compatibilidad con el medio
Señal de salida errónea y tiempo de reacción demasiado prolongado	Geometría de montaje errónea, p ej, profundidad de montaje demasiado reducida y disipación de calor muy elevada	Colocar en el medio la zona del sensor sensible a la temperatura
	Sedimentos en el sensor	Remover los sedimentos
Insuficiente span de señal	Corriente auxiliar demasiado alta/baja	Corregir la corriente auxiliar
Alcance de señal se cae	Penetró humedad	Montar correctamente el cable

## 7. Mantenimiento y limpieza

### 7.1 Mantenimiento

Este detector de caudal no requiere mantenimiento.

Todas las reparaciones solamente las debe efectuar el fabricante.

### 7.2 Limpieza



#### ¡CUIDADO!

#### Productos de limpieza inadecuados

Una limpieza con productos de limpieza inadecuados puede dañar el instrumento y la placa de identificación.

- ▶ No utilizar productos de limpieza agresivos.
- ▶ No utilizar ningún objeto puntiagudo o duro.
- ▶ No utilizar trapos o esponjas que podrían restregar.

#### Productos de limpieza adecuados

- Agua
- Detergente lavavajillas habitual

#### Limpiar el dispositivo

1. Interrumpir la alimentación de corriente del detector de caudal.
2. Limpiar la superficie del instrumento con un trapo suave y húmedo.



## 8. Desmontaje, devolución y eliminación de residuos

### 8. Desmontaje, devolución y eliminación de residuos

#### 8.1 Desmontaje



##### **¡ADVERTENCIA!**

##### **Lesiones corporales, daños materiales y del medio ambiente causados por medios peligrosos**

En caso de contacto con medios peligrosos (p. ej. acetileno, inflamables o tóxicos) medios nocivos para la salud (p. ej. corrosivas, tóxicas, cancerígenas radioactivas) y con sistemas de refrigeración o compresores existe el peligro de lesiones corporales, daños materiales y del medio ambiente.

- ▶ En caso de fallo es posible que haya medios agresivos con temperaturas extremas o de bajo presión o que haya un vacío en el instrumento.
- ▶ Utilizar el equipo de protección necesario.

ES

#### Desmontaje del instrumento

1. Despresurizar la instalación y desactivar el caudal.
2. Interrumpir la alimentación de corriente del detector de caudal.
3. Desconectar la conexión eléctrica.
4. Destornillar el detector de caudal mediante una llave utilizando las áreas para llave.

#### 8.2 Devolución

##### **Es imprescindible observar lo siguiente para el envío del instrumento:**

Todos los instrumentos enviados a WIKA deben estar libres de sustancias peligrosas (ácidos, lejías, soluciones, etc.) y, por lo tanto, deben limpiarse antes de devolver.



##### **¡ADVERTENCIA!**

##### **Lesiones corporales, daños materiales y del medio ambiente por medios residuales**

Medios residuales en el instrumento desmontado pueden causar riesgos para personas, medio ambiente e instalación.

- ▶ En caso de sustancias peligrosas adjuntar la ficha de datos de seguridad correspondiente al medio.
- ▶ Limpiar el dispositivo, consultar el capítulo 7.2 "Limpieza".

## 8. Desmontaje, devolución

Utilizar el embalaje original o un embalaje adecuado para la devolución del instrumento.



Comentarios sobre el procedimiento de las devoluciones encuentra en el apartado “Servicio” en nuestra página web local.

### 8.3 Eliminación de residuos

Una eliminación incorrecta puede provocar peligros para el medio ambiente.

Eliminar los componentes de los instrumentos y los materiales de embalaje conforme a los reglamentos relativos al tratamiento de residuos y eliminación vigentes en el país de utilización.

ES

## 9. Datos técnicos

## 9. Datos técnicos

Datos técnicos	
<b>Rangos de medición</b>	
Caudal	Agua: 5 ... 150 cm/s Aceite: 3 ... 300 cm/s
Temperatura (opción)	-20 ... +85 °C (-4...+185 °F)
<b>Indicador digital</b>	
Modelo	LCD de 14 segmentos, rojo, de 4 dígitos, altura de las cifras 9 mm (0,35 pulgadas)
Pantalla	Giratorio 180°
<b>Señales de salida</b>	
Salida de conmutación	PNP o NPN
Señal analógica (opción)	4 ... 20 mA
Detalles del conexionado	véase placa de identificación
Escalado (temperatura)	Punto cero: -20 ... +5 °C Valor final: 60 ... 85 °C
Umbral de conexión	Los puntos de conmutación 1 y 2 pueden ajustarse individualmente.
Funciones de conmutación	Contacto normalmente abierto - cerrado, ventana, histéresis Ajustable libremente
Tensión de conmutación	Alimentación - 1 V
Corriente de conmutación	máx. 250 mA
Tiempo de encendido	10 s
Tiempo de respuesta	Caudal (0 ... 100 %, 100 ... 0 %): 6 s Caudal (50 ... 100 %, 100 ... 50 %): 4 s Temperatura $t_{90}$ : 4 s Temperatura $t_{63}$ : 2 s
Carga	Señal analógica de 4 ... 20 mA: $\leq 0,5 \text{ k}\Omega$
Duración	100 millones de conmutaciones

ES

## 9. Datos técnicos

### Datos técnicos

#### Alimentación de corriente

Alimentación auxiliar	DC 15 ... 35 V
Consumo de electricidad	<ul style="list-style-type: none"><li>■ Salida de conmutación con señal analógica: 175 mA</li><li>■ Salida de conmutación sin señal analógica: 150 mA</li></ul>
Alimentación de corriente eléctrica total	máx. 650 mA inclusive corriente de conmutación

#### Datos de exactitud

No repetibilidad	Caudal (5 ... 100 cm/s): $\pm 2$ cm/s Temperatura: 0,5 K
Exactitud en las condiciones de referencia	Caudal (5 ... 100 cm/s): $\leq \pm 5$ % del valor final del rango de medición Caudal (>100 ... 175 cm/s): $\leq \pm 10$ % del valor final del rango de medición Temperatura: $\leq \pm 1,5$ K  Incluye alinealidad, histéresis, desviación del punto cero y de valor final (corresponde a desviación de valor de medición según IEC 61298-2). La exactitud del detector de caudal depende de la conductibilidad térmica y del grado de suciedad del sensor.
Error de temperatura a -20 ... +85 °C (-4 ... +185 °F)	$\leq \pm 0,4$ cm/s por K

#### Condiciones de referencia

Temperatura ambiente	15 ... 25 °C (59 ... 77 °F)
Presión atmosférica	860 ... 1.060 mbar (12,47 ... 15,38 psi)
Humedad atmosférica	45 ... 75 % h.r.
Medio	Agua
Alimentación auxiliar	DC 24 V
Posición de montaje	Conexión del proceso M18 x 1,5 hacia abajo Diámetro interior de tubo 26 mm Tramo de entrada/salida: 1 m / 0,5 m Marca para lado de afluencia $\pm 5^\circ$ torsión
Carga	100 $\Omega$

## 9. Datos técnicos

### Datos técnicos

#### Condiciones de utilización

Rangos de temperatura admisibles	Medio: -20 ... +85 °C (-4 ... +185 °F) Ambiente: -20 ... +80 °C (-4 ... +176 °F) Almacenamiento: -20 ... +80 °C (-4 ... +176 °F)
Humedad del aire	45 ... 75 % h.r.
Presión de trabajo máx.	40 bar (30 bar con conexión a proceso M18 x 1,5) 580 psi (435 psi con conexión a proceso M18 x 1,5)
Resistencia a la vibración	6 g (IEC 60068-2-6, con resonancia)
Resistencia a choques	50 g (IEC 60068-2-27, mecánica)
Tipo de protección	IP 65 y IP 67  El tipo de protección indicado sólo es válido en estado conectado con conectores según el modo de protección correspondiente.

#### Materiales

Piezas en contacto con el medio	Conexión a proceso, sensor: acero inoxidable 316Ti
Piezas sin contacto con el medio	Caja: acero inoxidable 304 Teclado: TPE-E Indicador digital: PC Cabezal indicador: PC+ABS-Blend

#### Conexión eléctrica

Conexión	Conector circular, M12 x 1 (4-pin)
Resistencia contra cortocircuitos	S+ / SP1 / SP2 contra U-
Protección contra inversión de polaridad	U+ contra U-
Tensión de aislamiento	DC 500 V
Protección contra sobretensiones	DC 40 V

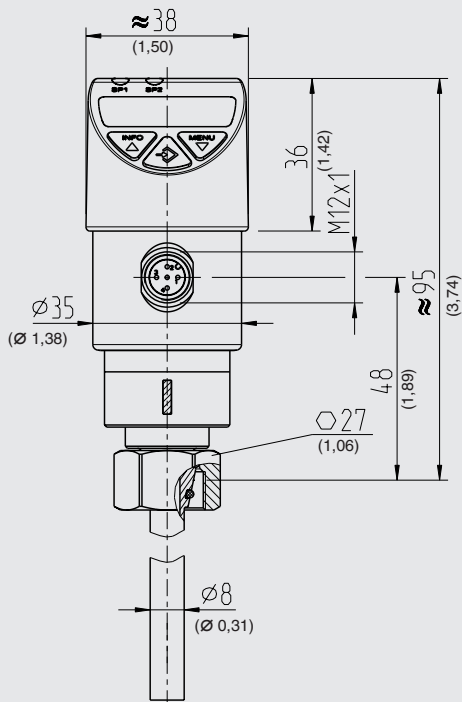
#### Homologaciones, informaciones acerca de los fabricantes y certificados

Homologaciones	véase placa de identificación
----------------	-------------------------------

Para más datos técnicos consulte la hoja técnica de WIKA FL 80.01 y la documentación de pedido.

## 9. Datos técnicos

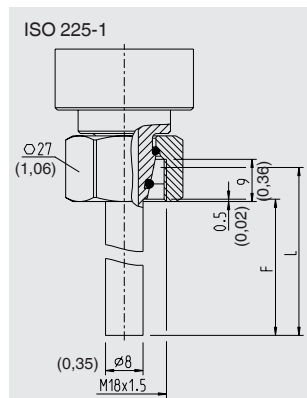
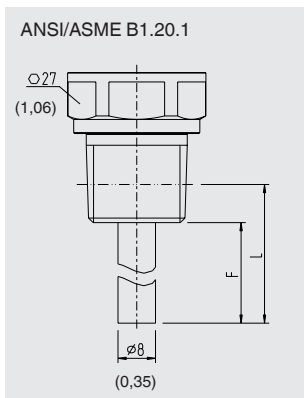
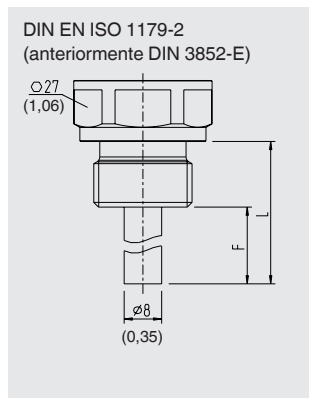
Dimensiones en mm (in)



Peso: aprox. 0,3 kg (10,58 oz)

## 9. Datos técnicos

### Conexiones a proceso



ES

	Norma	Rosca	Longitud del sensor F	Longitud de montaje L
Opción 1	ISO 225-1	M18 x 1,5	45 mm (1,77 in)	52 mm (2,05 in)
Opción 2	DIN EN ISO 1179-2 (antes DIN 3852-E)	G ¼ A	16 mm (0,63 in)	28 mm (1,10 in)
Opción 3	DIN EN ISO 1179-2 (antes DIN 3852-E)	G ½ A	16 mm (0,63 in)	30 mm (1,18 in)
Opción 4	DIN EN ISO 1179-2 (antes DIN 3852-E)	G ½ A	35 mm (1,38 in)	49 mm (1,93 in)
Opción 5	DIN EN ISO 1179-2 (antes DIN 3852-E)	G ½ A	65 mm (2,65 in)	79 mm (3,11 in)
Opción 6	DIN EN ISO 1179-2 (antes DIN 3852-E)	G ½ A	105 mm (4,13 in)	119 mm (4,69 in)
Opción 7	ANSI/ASME B1.20.1	¼ NPT	16 mm (0,63 in)	22 mm (0,87 in)
Opción 8	ANSI/ASME B1.20.1	½ NPT	30 mm (1,18 in)	38 mm (1,50 in)



## 10. Accesorios y piezas de recambio

### 10. Accesorios y piezas de recambio

#### Juntas

	Descripción	Código de artículo
	NBR junta de perfil G ¼ A DIN EN ISO 1179-2 (antes DIN 3852-E)	1537857
	FPM/FKM junta de perfil G ¼ A DIN EN ISO 1179-2 (antes DIN 3852-E)	1576534
	NBR junta de perfil G ½ A DIN EN ISO 1179-2 (antes DIN 3852-E)	1039067
	FPM/FKM junta de perfil G ½ A DIN EN ISO 1179-2 (antes DIN 3852-E)	1039075

#### Conector circular M12 x 1 con cable inyectado

	Descripción	Rango de temperatura	Diámetro de cable	Código de artículo
	Versión recta, extremo abierto, de 4 pin, cable PUR de 2 m (6,6 ft), catalogado UL; IP67	-20 ... +80 °C (-4 ... +176 °F)	4,5 mm (0,18 pulgadas)	14086880
	Versión recta, extremo abierto, de 4 pin, cable PUR de 5 m (16,4 ft), catalogado UL; IP67	-20 ... +80 °C (-4 ... +176 °F)	4,5 mm (0,18 pulgadas)	14086883
	Versión recta, extremo abierto, de 4 pin, cable PUR de 10 m, catalogado UL; IP67	-20 ... +80 °C (-4 ... +176 °F)	4,5 mm (0,18 pulgadas)	14086884
	Versión acodada, extremo abierto, de 4 pin, cable PUR de 2 m (6,6 ft), catalogado UL; IP67	-20 ... +80 °C (-4 ... +176 °F)	4,5 mm (0,18 pulgadas)	14086889
	Versión acodada, extremo abierto, de 4 pin, cable PUR de 5 m (16,4 ft), catalogado UL; IP67	-20 ... +80 °C (-4 ... +176 °F)	4,5 mm (0,18 pulgadas)	14086891
	Versión acodada, extremo abierto, de 4 pin, cable PUR de 10 m (32,8 ft), catalogado UL; IP67	-20 ... +80 °C (-4 ... +176 °F)	4,5 mm (0,18 pulgadas)	14086892



## 10. Accesorios y piezas de recambio

### Adaptador

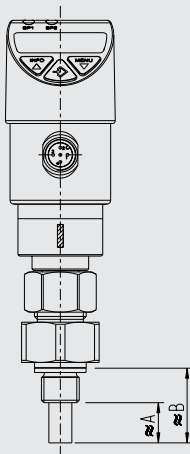
	Descripción	Recomendado para Ø de tubo	B	A	Código de artículo
	De M18 x 1,5 a G ¼	22 ... 50 mm (0,86 ... 0,97 pulg)	28 mm (1,10 pulg-das)	16 mm (0,63 pulg-das)	14242761
	De M18 x 1,5 a G ½ largo	25 ... 60 mm (0,98 ... 2,36 pulg)	31 mm (1,22 pulg-das)	17 mm (0,67 pulg)	14242759
	De M18 x 1,5 a G ½ corto	32 ... 100 mm (1,26 ... 3,93 pulg)	36 mm (1,41 pulg-das)	22 mm (0,86 pulg-das)	14242760

#### Legenda

- A Profundidad de inmersión del sensor máx.
- B Distancia desde la superficie de sellado a la punta del sensor

## 10. Accesorios y piezas de recambio

### FSD-3 con adaptador



#### Legenda

- A Profundidad de inmersión del sensor máx.
- B Distancia desde la superficie de sellado a la punta del sensor





**WIKAL Alexander Wiegand SE & Co. KG**

Alexander-Wiegand-Straße 30

63911 Klingenberg • Germany

Tel. +49 9372 132-0

Fax +49 9372 132-406

info@wika.de

www.wika.de