

Strain gauge weighing electronics With multi-function display Model E1932



WIKA data sheet FO 58.07



Applications

- Precision scales
- Industrial scales
- Scales for forklift trucks, cabs and cranes
- Container and platform scales

Special features

- 6-digit liquid crystal display (LCD) with backlighting
- Extensive functions easy to set on the instrument or via PC
- International approval for applications requiring verified measurements OIML, NTEP
- AC, DC (DC 7 ... 24 V) operating on (rechargeable) battery power (DC 4.8 ... 24 V) – ideal for a number of mobile applications
- High ingress protection, IP65



Strain gauge weighing electronics, model E1932

Description

The weighing electronics of model E1932 offer a combination of ultimate precision and cost efficiency. They are ideally suited for mobile applications such as scales for forklifts, cabs and cranes, for platform scales as well as OEM applications.

With a rugged case and the various possibilities of voltage supply, the E1932 is the ideal partner for simple weighing applications up to application in difficult, industrial operating conditions.

Ultra-flat, digital weighing electronics with a front panel made of stainless steel are also available. This model can also be delivered with an IP65 case made of stainless steel for mounting on a wall or desktop.

A continuous operation up to 75 hours is possible in rechargeable battery mode. The instrument is set and adjusted using the keyboard via the integrated optical interface or PC software. All settings can be saved and transferred to another instrument. Up to 10 linearisation points can be used.

Option:

4 ... 20 mA/DC 0 ... 10 V input

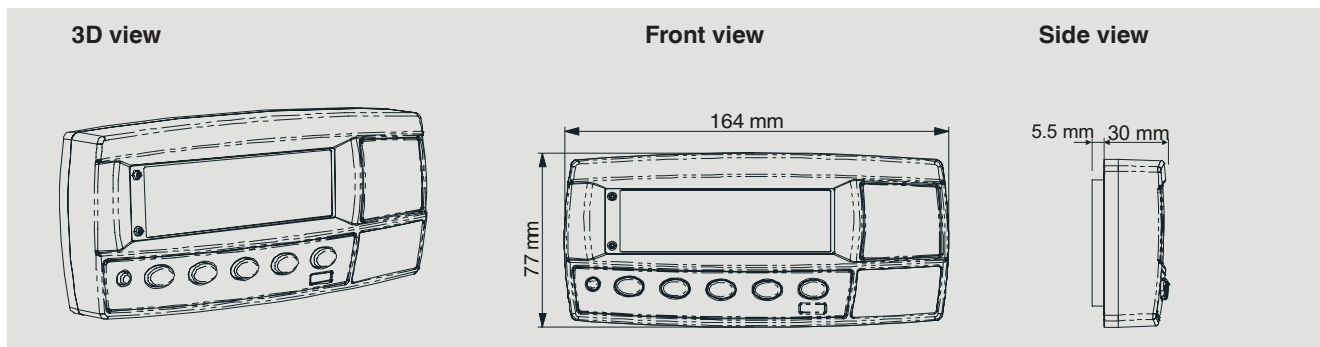
Specifications

Model E1932	
Measuring range	Measuring span: 0.1 mV/V to 3.0 mV/V nominal weight Zero point: adjustable from $\pm 2\%$ to $\pm 100\%$ nominal weight Tare: max. ± 2 mV/V
Display	6-digit LC display, 20 mm high LED backlighting Units and auxiliary display
Sensor supply	DC 5 V for up to 4 x 350 or 8 x 700 Ohm load cells (4-wire or 6-wire and shield)
Max. load cell resistance	3,500 Ω (commercial 4 x 350 Ω , non-commercial 8 x 350 Ω)
Accuracy	Resolution of 60,000 d, minimum 0.25 μ V/division
Linearisation	Number of linearisation steps: 10
Service temperature range	-10 ... +50 °C
Interface	Infrared data transfer with rin-LINK cable Optional: Connection cable for USB or RS-232 interface
Output signal (option)	2 insulated transistor outputs are possible (max. DC 50 V / 300 mA) RS-232 interface: automatic transfer, network or printer Transmission rate: 240, 4,800 or 9,600 baud
Digital input (optional)	1 programmable user input
Battery-buffered clock/calendar (optional)	Battery life of at least 10 years
Resolution	24-bit A/D converter
Sampling rate	20 Hz
Supply voltage ■ Standard ■ Option	DC 7 ... 24 V, 4, 8, 9, 6, 12 and 24 V batteries (max. 2.5 VA) Power supply unit: AC 110/240 V 50/60 Hz in, DC 12 V 1.5 A out Battery: 4 x AA batteries (alkaline or NiMH rechargeable batteries, NiCad) 12 V battery (rechargeable NiMH battery)
Response time	The response time changes with setting the digital filtering Running averaging adjustable from 0.1 to 4.0 s
Ingress protection	IP65 if installed in the control cabinet
Interference emission	EN 61326-1 for industrial areas
Immunity	EN 61326-1 for industrial areas
Relative humidity	max. 90 % r. h., non-condensing
Approvals	4,000 d @0.8 μ V/d NMI (S-420) OIML R76 10,000d III/III L NTEP 08-072 A1 FCC, CE, C-Tick
Weight	Basic weighing electronics: approx. 0.25 kg Weighing electronics for control cabinet installation: approx. 0.4 kg

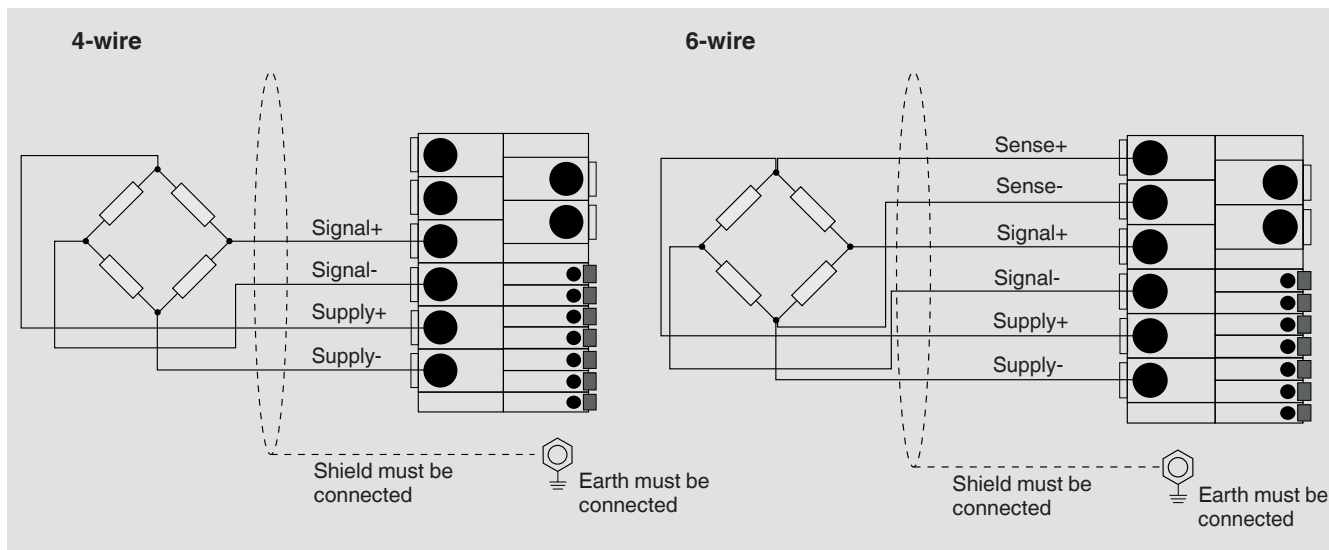
Operation

Setting and operating the display is either menu-driven via the front buttons or possible using a PC and the optical interface.

Dimensions in mm



Pin assignment



Accessories

- ABS desktop case with battery compartment (IP54) for installation on a desktop, wall or post
- ABS desktop case, waterproof (IP65), mains operation, for installation on a desktop, wall or post
- Clamp for installation on a wall or post, combined with ABS desktop case
- ABS desktop case with rechargeable batteries (IP54), 4 x AA 2.5 Ah, incl. power supply unit
- ABS desktop case with pack of rechargeable batteries (IP65) NiMH 2.5 Ah, incl. power supply unit
- Protective PVC cover, transparent, button operation possible, 10-pack
- Input card 4 ... 20 mA / DC 0 ... 10 V for sensors with 4 ... 20 mA / DC 0 ... 10 V output
- Cable, serial RS-232, Opto-Link per SUB-D9
- Cable, serial, Opto-Link per USB, with USB driver CD
- Stainless steel case, enclosing case IP65 (without foot)
- PC software
- Analogue output card 4 ... 20 mA / DC 0 ... 10 V connection to RS-232 interface
- Installation on a desktop or wall (foot)
- Stand installation clamp for ABS desktop cases

© 2019 WIKA Alexander Wiegand SE & Co. KG, all rights reserved.
 The specifications given in this document represent the state of engineering at the time of publishing.
 We reserve the right to make modifications to the specifications and materials.

