

## Fabricated, with Flange Model SD200F

WIKA Data Sheet TW 90.15

### Applications

- Chemical engineering, process engineering, apparatus engineering
- For low and medium process loads

### Special Features

- Design to DIN 43 772 Form 2F
- With integrated necktube

### Description

#### Thermowell material

Stainless steel 1.4571

#### Process connection

Flanges to valid national or international standards like EN 1092-1, DIN 2527, ASME B16.5

#### Instrument connection

running nut M24 x 1.5

#### Bore size

Ø 7 mm / Ø 9 mm

#### Insertion length $U_1$

225, 315, 465 mm

#### Total length L

Insertion length  $U_1$  + 80 mm

#### Maximum process temperature 1)

600 °C for thermowell material 1.4571

#### Maximum process pressure (static) 1)

depend on pressure rating of flange



Thermowell with flange Model SD200F

1) Ratings depends on below parameters:

- Process medium
- Process pressure and temperature
- Flow rate
- Design of thermowell (dimensions, material)

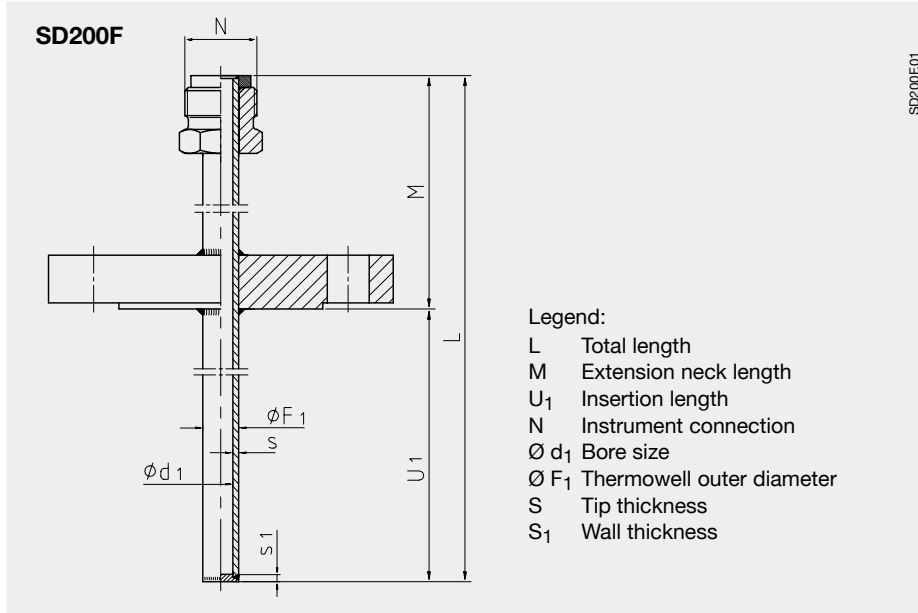
## Optional extras

- Other dimensions and materials
- Quality certificates
- Wake frequency calculations according to Dittrich / Klotter are recommended in critical applications. WIKA offer this as an engineering service.

Following process data are necessary for the calculation:

- Process pressure (in bar or psi)
- Process temperature (in °C or °F)
- Flow rate (in m/s)
- Density (in kg/m<sup>3</sup>)
- Dimensions and material of thermowell

## Dimensions in mm



- Legend:
- L Total length
  - M Extension neck length
  - U<sub>1</sub> Insertion length
  - N Instrument connection
  - Ø d<sub>1</sub> Bore size
  - Ø F<sub>1</sub> Thermowell outer diameter
  - S Tip thickness
  - S<sub>1</sub> Wall thickness

Dimensions in mm						Weight in kg	
N	M	Ød <sub>1</sub>	Ø F <sub>1</sub>	S	S <sub>1</sub>	Flange DN 25 PN 16-40 U <sub>1</sub> =465 mm	
M24 x 1.5	80	7	9	1	3	1.39	
M24 x 1.5	80	7	11	2	3	1.55	
M24 x 1.5	80	7	12	2.5	3.5	1.64	
M24 x 1.5	80	9	14	2.5	3.5	1.71	

additional weight in kg with other flange		
<b>DN 40</b>	PN 16-40	0.76
<b>DN 50</b>	PN 16-40	1.63
1"	150 lbs	-0.46
1"	300 lbs	0.04
1"	600 lbs	0.22
1 ½"	150 lbs	0.22
1 ½"	300 lbs	1.34
1 ½"	600 lbs	1.85

## Suitable stem lengths of mechanical thermometers

Dial thermometers	Stem length l <sub>1</sub>
Design of connection	
3	l <sub>1</sub> = L - 10 mm or l <sub>1</sub> = U <sub>1</sub> + M - 10 mm

## Ordering information

Model / Material / Flange / Instrument connection / Bore size / Total length L / Insertion length U<sub>1</sub> / Optional extras required

Modifications may take place and materials specified may be replaced by others without prior notice. Specifications and dimensions given in this leaflet represent the state of engineering at the time of printing.

