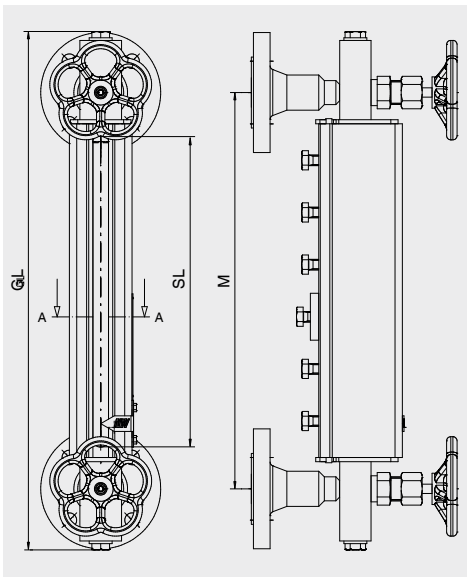


Questionnaire for glass level gauge Reflex version Model LGG-E

Customer data

Company	Date
Name	Phone
Address	E-mail

Application data



Design code	
Material	_____
Pressure	bar (max. 40 bar)
Temperature	°C (-10 ... +243 °C)
Distance C-to-C (M)	mm (max. 2,000 mm)
Process connection	
Shut-off valve	
Vent	
Drain	

Accessories

Level arrow

Test requirements

3.1 material certificate (EN 10204)

Hydrostatic pressure test

Others _____

Additional notes

