

Operating instructions
Betriebsanleitung

Pneumatic hand test pump, model CPP10-H

EN

Pneumatische Handprüfpumpe, Typ CPP10-H

DE



Pneumatic hand test pump, model CPP10-H

| | | | |
|-----------|---|-------------|---------------|
| EN | Operating instructions model CPP10-H | Page | 3 - 26 |
|-----------|---|-------------|---------------|

| | | | |
|-----------|--------------------------------------|--------------|----------------|
| DE | Betriebsanleitung Typ CPP10-H | Seite | 27 - 50 |
|-----------|--------------------------------------|--------------|----------------|

Further languages can be found at www.wika.com.

© 07/2023 WIKA Alexander Wiegand SE & Co. KG
All rights reserved./ Alle Rechte vorbehalten.
WIKA® is a registered trademark in various countries.
WIKA® ist eine geschützte Marke in verschiedenen Ländern.

Prior to starting any work, read the operating instructions!
Keep for later use!

Vor Beginn aller Arbeiten Betriebsanleitung lesen!
Zum späteren Gebrauch aufbewahren!

Contents

| | |
|--|-----------|
| 1. General information | 4 |
| 2. Design and function | 5 |
| 2.1 Overview | 5 |
| 2.2 Description | 5 |
| 2.3 Scope of delivery | 6 |
| 3. Safety | 7 |
| 3.1 Explanation of symbols | 7 |
| 3.2 Intended use | 7 |
| 3.3 Improper use | 8 |
| 3.4 Personnel qualification | 8 |
| 3.5 Labelling, safety marks | 9 |
| 4. Transport, packaging and storage | 10 |
| 4.1 Transport | 10 |
| 4.2 Packaging and storage | 10 |
| 5. Commissioning, operation | 11 |
| 5.1 Unpacking the hand test pump | 11 |
| 5.2 Assembly | 12 |
| 5.3 Mechanical mounting | 13 |
| 5.4 Pressure generation | 14 |
| 5.5 Vacuum generation | 16 |
| 5.6 Recommended reference pressure measuring instruments | 18 |
| 5.7 Use with WIKA-Cal calibration software | 19 |
| 5.8 Calibration case available | 19 |
| 6. Faults | 20 |
| 7. Maintenance and cleaning | 22 |
| 7.1 Maintenance | 22 |
| 7.2 Cleaning | 22 |
| 8. Dismounting, return and disposal | 23 |
| 8.1 Dismounting | 23 |
| 8.2 Return | 23 |
| 8.3 Disposal | 24 |
| 9. Specifications | 25 |
| 9.1 Hand test pump | 25 |
| 9.2 Dimensions in mm [in] | 26 |
| 10. Accessories | 27 |

1. General information

1. General information

EN

- The model CPP10-H pneumatic hand test pump described in these operating instructions has been designed and manufactured using state-of-the-art technology. All components are subject to stringent quality and environmental criteria during production. Our management systems are certified in accordance with ISO 9001 and ISO 14001.
- These operating instructions contain important information on handling the instrument. Working safely requires that all safety instructions and work instructions are observed.
- Observe the relevant local accident prevention regulations and general safety regulations for the instrument's range of use.
- The operating instructions are part of the product and must be kept in the immediate vicinity of the instrument and readily accessible to skilled personnel at any time. Pass the operating instructions on to the next operator or owner of the instrument.
- Skilled personnel must have carefully read and understood the operating instructions prior to beginning any work.
- In case of a different interpretation of the translated and the English operating instructions, the English wording shall prevail.
- The general terms and conditions contained in the sales documentation shall apply.
- Subject to technical modifications.
- Further information:
 - Internet address: www.wika.de / www.wika.com
 - Relevant data sheet: CT 91.10
 - Contact: Tel.: +49 9372 132-0
info@wika.de

Abbreviations, definitions

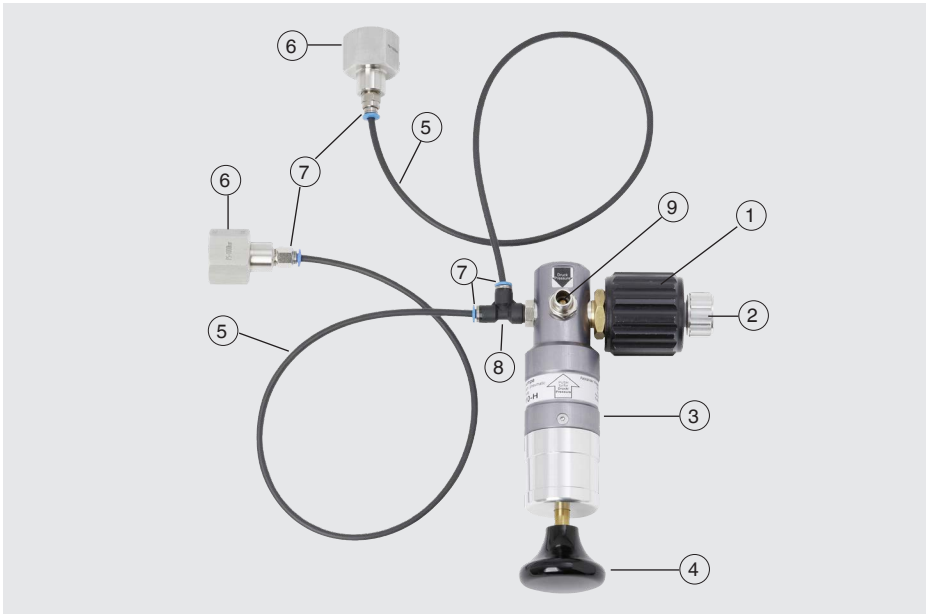
- Bullet
- ▶ Instruction
- 1. ... x. Follow the instruction step by step
- ⇒ Result of an instruction
- See ... cross-references

14599102.01 07/2023 EN/DE

2. Design and function

2. Design and function

2.1 Overview



EN

- ① Fine adjustment valve
- ② Pressure relief valve
- ③ Pump body
- ④ Push rod for pressure/vacuum generation
- ⑤ Connection hose; length 0.5 m [1.64 ft]
- ⑥ Pressure adapters for reference pressure measuring instrument and test item can be freely selected, see chapter 10 "Accessories".
- ⑦ Hose connection adapter G 1/8, male thread, to 4 mm quick connector
- ⑧ T-connector, 2 x G 1/8, female thread to G 1/8, male thread
- ⑨ Switching valve pressure/vacuum generation

2.2 Description

The model CPP10-H pneumatic hand test pump is used to generate pressure for testing, adjustment and calibration of mechanical and electronic pressure measuring instruments through comparative measurements in the low-pressure range.

2. Design and function

These pressure tests can take place in the laboratory or workshop, or on-site at the measuring location.

EN

If one connects the instrument to be tested and a sufficiently accurate reference pressure measuring instrument to the hand test pump, on actuating the pump, the same pressure will act on both measuring instruments. By comparison of the two measured values at any given pressure value, a check of the accuracy and/or adjustment of the instrument to be tested can be carried out. To approach the measuring points exactly, the fine adjustment valve can be used.

The CPP10-H is a pneumatic hand test pump for low-pressure ranges up to 10 bar [145 psi], with switching to vacuum generation down to -0.85 bar [-25 inHg]. The CPP10-H, despite its very compact dimensions, enables simple and accurate pressure generation. The maximum pressure or vacuum achievable is dependent upon the connected test volume. Through the smooth pressure generation and the integrated fine adjustment valve, very small positive or negative pressures can be set safely and precisely.

Via the T-connector and the connection hose, the test item and the reference pressure measuring instrument can be easily connected.

2.3 Scope of delivery

- Pneumatic hand test pump model CPP10-H
- T-connector
- 4 x hose connection adapters
- 2 x connecting hose; each 0.5 m [1.64 ft] long
- Connection adapters
- PTFE sealing tape
- Ordered accessories
- Operating instructions

Cross-check scope of delivery with delivery note.

3. Safety

3.1 Explanation of symbols



WARNING!

... indicates a potentially dangerous situation that can result in serious injury or death, if not avoided.



CAUTION!

... indicates a potentially dangerous situation that can result in light injuries or damage to property or the environment, if not avoided.



Information

... points out useful tips, recommendations and information for efficient and trouble-free operation.

3.2 Intended use

The model CPP10-H pneumatic hand test pump is used to generate pressure for testing, adjustment and calibration of mechanical and electronic pressure measuring instruments through comparative measurements in the low-pressure range. These pressure tests can take place in the laboratory or workshop, or on-site at the measuring location. This hand test pump has been specifically developed for the generation of pressures on-site.

The CPP10-H, despite its very compact dimensions, enables simple and accurate pressure generation of $-0.85 \dots +10$ bar [-25 inHg ... $+145$ psi] with the possibility of switching from vacuum generation to low-pressure range.

This instrument is not permitted to be used in hazardous areas!

The instrument has been designed and built solely for the intended use described here, and may only be used accordingly.

The technical specifications contained in these operating instructions must be observed. Improper handling or operation of the instrument outside of its technical specifications requires the instrument to be taken out of service immediately and inspected by an authorised WIKA service engineer.

Handle the instrument with the required care (protect from humidity, impacts, strong magnetic fields, static electricity and extreme temperatures, do not insert any objects into the instrument or its openings). Connectors and female connectors must be protected from contamination.

The manufacturer shall not be liable for claims of any type based on operation contrary to the intended use.

3. Safety

3.3 Improper use



WARNING!

Injuries or damage through improper use

Improper use of the instrument can lead to hazardous situations and injuries.

- ▶ Refrain from unauthorised modifications to the instrument.
- ▶ Do not use the instrument within hazardous areas.
- ▶ No external pressure loading.
- ▶ Avoid using any force on the control elements of the hand test pump.

Pressure generation

External pressurisation will damage the hand test pump and must be avoided.

- Do not connect any external pressure sources to the pump.
- Generate pressure only using the hand test pump.

Maintenance and cleaning

- Only use the accessories specified and authorized by WIKA.
- The hand test pump must not be soiled and, above all, must not come into contact with moist, liquid or even aggressive media.

Any use beyond or different to the intended use is considered as improper use.

3.4 Personnel qualification



WARNING!

Risk of injury should qualification be insufficient

Improper handling can result in considerable injury and damage to property.

- ▶ The activities described in these operating instructions may only be carried out by skilled personnel who have the qualifications described below.

Skilled personnel

Skilled personnel, authorised by the operator, are understood to be personnel who, based on their technical training, knowledge of measurement and control technology and on their experience and knowledge of country-specific regulations, current standards and directives, are capable of carrying out the work described and independently recognising potential hazards.

Special operating conditions require further appropriate knowledge, e.g. of aggressive media.

3. Safety

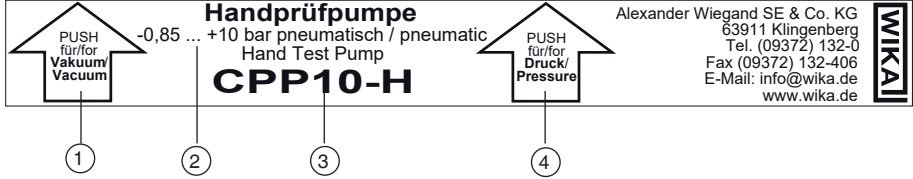
3.5 Labelling, safety marks

The labelling, safety markings must be maintained in a legible condition.

Product label

The product label is attached to the pump body.

EN



- ① Switching valve for vacuum
- ② Pressure range
- ③ Model designation
- ④ Switching valve for pressure

4. Transport, packaging and storage

4. Transport, packaging and storage

4.1 Transport

Check the pneumatic hand test pump for any damage that may have been caused during transport. Obvious damage must be reported immediately.

EN



CAUTION!

Damage through improper transport

With improper transport, a high level of damage to property can occur.

- ▶ When unloading packed goods upon delivery as well as during internal transport, proceed carefully and observe the symbols on the packaging.
- ▶ With internal transport, observe the instructions in chapter 4.2 “Packaging and storage”.

If the instrument is transported from a cold into a warm environment, the formation of condensation may result in instrument malfunction. Before putting it back into operation, wait for the instrument temperature and the room temperature to equalise.

4.2 Packaging and storage

Keep the packaging as it will provide optimum protection during transport (e.g. change in installation site, sending for repair).

Permissible conditions at the place of storage:

- Storage temperature: 0 ... 55 °C [32 ... 131 °F]
- Humidity: 35 ... 85 % relative humidity (non-condensing)

Avoid exposure to the following factors:

- Direct sunlight or proximity to hot objects
- Mechanical vibration, mechanical shock (putting it down hard)
- Soot, vapour, dust and corrosive gases
- Hazardous environments, flammable atmospheres

Store the hand test pump in its original packaging in a location that fulfils the conditions listed above. If the original packaging is not available, pack and store the instrument as described below:

1. Place the instrument, along with the shock-absorbent material, in the packaging.
2. If stored for a prolonged period of time (more than 30 days), place a bag containing a desiccant inside the packaging.

5. Commissioning, operation

5. Commissioning, operation

Personnel: Skilled personnel

Tools: Torque spanner

Only use original parts, see chapter 10 “Accessories”.

EN



WARNING!

Physical injuries and damage to property and the environment caused by hazardous media

Upon contact with hazardous media (e.g. oxygen, acetylene, flammable or toxic substances), harmful media (e.g. corrosive, toxic, carcinogenic, radioactive), and also with refrigeration plants and compressors, there is a danger of physical injuries and damage to property and the environment. Should a failure occur, aggressive media with extremely high temperature and under high pressure or vacuum may be present at the instrument.

- ▶ For these media, in addition to all standard regulations, the appropriate existing codes or regulations must also be followed.
- ▶ Wear the requisite protective equipment.

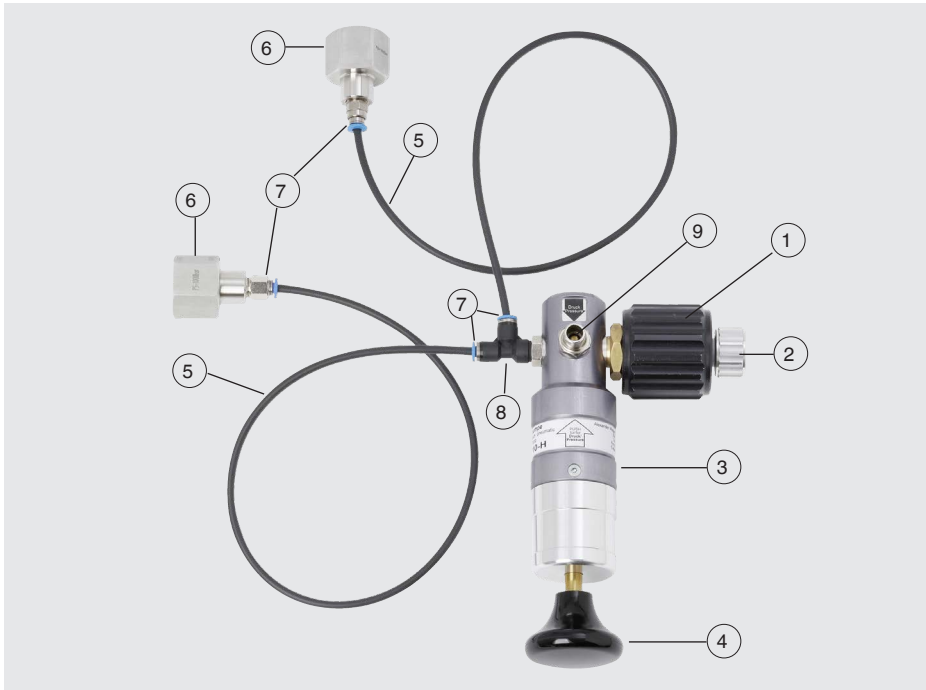
5.1 Unpacking the hand test pump

As soon as possible after delivery open the packaging of the hand test pump and check that all the items detailed in the packing list (see chapter 2.3 “Scope of delivery”) are included. Unpacking the items, check them for any damage that may have been caused by transport. If any items are missing, please contact WIKA immediately.

5. Commissioning, operation

5.2 Assembly

EN



- ① Fine adjustment valve
- ② Pressure relief valve
- ③ Pump body
- ④ Push rod for pressure/vacuum generation
- ⑤ Connection hose; length 0.5 m [1.64 ft]
- ⑥ Pressure adapters for reference pressure measuring instrument and test item can be freely selected, see chapter 10 "Accessories".
- ⑦ Hose connection adapter G $\frac{1}{8}$, male thread to 4 mm quick connector
- ⑧ T-connector, 2 x G $\frac{1}{8}$, female thread to G $\frac{1}{8}$, male thread
- ⑨ Switching valve pressure/vacuum generation

5.3 Mechanical mounting



CAUTION!

Damage to the hand test pump due to contamination

Contaminants of any kind (oil, grease, water ...) that adhere to the test item will find their way into the pump and damage it.

- ▶ Clean the pressure connection hose.
- ▶ Clean the connections.
- ▶ Clean the test item before mounting.

Before adapting the reference pressure measuring instrument and test item, check the seals in the two connections for correct seating and wear.

Replace the seals, if necessary.



Use the PTFE sealing tape for the connection of the different connection adapters and pressure fittings.

This will avoid loss of pressure or leakage.

1. Mount the T-connector onto the G $\frac{1}{8}$ female thread of the pump body.
2. Connect both connecting hoses as follows:
 - ▶ Mount one end of the hose with its hose connection adapter to the G $\frac{1}{8}$ female thread of the T-connector.
 - ▶ Mount the other end of the hose with its hose connection adapter to the pressure adapter.
⇒ Both hoses must be fitted.
3. Fit the reference pressure measuring instrument and also the test item to each of the pressure adapters.
 - ▶ To seal, use the seals that were included in the scope of delivery.
 - ▶ Securely tighten the connection in order to avoid any leakage.
 - ▶ Tighten the connections to a maximum torque of 15 Nm.

5. Commissioning, operation

5.4 Pressure generation



- ① Fine adjustment valve
- ② Pressure relief valve
- ④ Push rod for pressure/vacuum generation
- ⑨ Switching valve for pressure/vacuum generation



WARNING!

Damage due to incorrect setting

Actuating the switching valve under pressure or vacuum can damage the hand test pump, since the pressure will be suddenly increased or decreased.

- ▶ Set the pressure to ambient pressure beforehand.
- ▶ Only press the switching valve when the pressure release valve is open.
- ▶ Never actuate the switching valve when the hand test pump is under pressure or vacuum!



CAUTION!

Damage to the test items caused by too high pressure

The test item and reference pressure measuring instrument with pressure ranges $< 10 \text{ bar}$ [$< 145 \text{ psi}$] can be damaged through the pressure generation.

- ▶ Do not exceed the maximum pressure limit of the test item or reference pressure measuring instrument.
- ▶ Only generate a initial pressure that is less than the required pressure.
- ▶ Use the fine adjustment valve to reach the exact required pressure.

5. Commissioning, operation

EN

Before using the hand test pump, check:

- The reference pressure measuring instrument is connected with the connection hose to the pressure pump.
- The test item is connected with the connection hose to the pressure pump.
- All pressure connections are correctly fitted and tightened.



Due to the small stroke of the hand test pump, test only test items with small volumes.

1. Before pressure can be generated, the switching valve may have to be actuated, see label on the pump. Use a pen or a small screwdriver for this. The cover of the switching valve is intended to prevent unintentional actuation.
⇒ Make sure the pressure relief valve is not completely closed.
2. Turn the fine adjustment valve anticlockwise, until a slight stop is felt.
⇒ The thread becomes very smooth-running shortly before the “stop”.
3. Carefully screw the pressure relief valve by turning it clockwise, until the valve closes.
⇒ There is no “hard stop” to be felt.
4. Use the push rod to pump until the desired pressure is approximately achieved.
5. Use the fine adjustment valve, until the desired pressure is reached exactly; max. 10 bar [145 psi].
⇒ Turn clockwise in order to increase the pressure.
⇒ Turn anticlockwise in order to reduce the pressure.



After increasing the pressure, the value displayed can drop slightly again for about 30 seconds. The causes can be thermodynamic effects, the hose connection and the seals. Readjust the pressure using the fine adjustment valve. If pressure continues to drop, check the measuring circuit for leak tightness.

Reducing the pressure for new pressure range

- ▶ Turn the fine adjustment valve until the new, desired pressure is reached.
⇒ Turn clockwise in order to increase the pressure.
⇒ Turn anticlockwise in order to reduce the pressure.

5. Commissioning, operation

Reducing the pressure to 0 bar [0 psi]

1. Turn the fine adjustment valve anticlockwise.
2. Carefully open the pressure relief valve by turning it anticlockwise no more than once.
⇒ Pressure is reduced and there is no pressure on the hand test pump.



Do not disassemble the reference pressure measuring instrument or the test item until the pressure relief valve is open and there is no pressure in the hand test pump.

5.5 Vacuum generation



- ① Fine adjustment valve
- ② Pressure relief valve
- ④ Push rod for pressure/vacuum generation
- ⑨ Switching valve for pressure/vacuum generation

1. Before vacuum can be generated, the switching valve may have to be actuated, see label on the pump. Use a pen or a small screwdriver for this. The cover of the switching valve is intended to prevent unintentional actuation.
⇒ Make sure the pressure relief valve is not completely closed.
2. Screw in the fine adjustment valve clockwise, until a slight stop is felt.
3. Carefully screw the pressure relief valve by turning it clockwise, until the valve closes.
⇒ There is no “hard stop” to be felt.
4. Use the push rod to pump until the desired vacuum is approximately achieved.

5. Commissioning, operation

EN

5. Use the fine adjustment valve, until the desired vacuum is reached exactly;
max. -0.85 bar [-25 inHg].
 - ⇒ Turn clockwise in order to reduce the vacuum (increase pressure).
 - ⇒ Turn anticlockwise in order to increase the vacuum.



After increasing the vacuum, the value displayed can rise slightly again for about 30 seconds. The causes can be thermodynamic effects, the hose connection and the seals. Readjust the pressure using the fine adjustment valve. If the pressure continues to rise, check the measuring circuit for leak tightness.

Reducing the vacuum for new pressure range

- ▶ Turn the fine adjustment valve until the new, desired vacuum is reached.
 - ⇒ Turn clockwise in order to reduce the vacuum (increase pressure).
 - ⇒ Turn anticlockwise in order to increase the vacuum.

Reducing the vacuum to 0 bar [0 psi]

1. Turn the fine adjustment valve clockwise.
2. Carefully open the pressure relief valve by turning it clockwise no more than once.
 - ⇒ Pressure is reduced and there is no pressure on the hand test pump.



Do not disassemble the reference pressure measuring instrument or the test item until the pressure relief valve is open and there is no pressure in the hand test pump.

5. Commissioning, operation

5.6 Recommended reference pressure measuring instruments

Recommended reference pressure measuring instruments



Precision digital pressure gauge model CPG1500

Measuring ranges: 0 ... 10,000 bar [0 ... 150,000 psi]
Accuracy: down to 0.025 % FS

→ For further specifications, see data sheet CT 10.51



Hand-held pressure indicator model CPH6200

Measuring ranges: 0 ... 1,000 bar [0 ... 14,500 psi]
Accuracy: down to 0.1 % FS

→ For further specifications, see data sheet CT 11.01



Hand-held pressure indicator model CPH6300

Measuring ranges: 0 ... 1,000 bar [0 ... 14,500 psi]
Accuracy: down to 0.1 % FS

→ For further specifications, see data sheet CT 12.01

5.7 Use with WIKA-Cal calibration software

Calibration software



WIKI-Cal calibration software

For creating calibration certificates or logger protocols
Only in combination with a reference pressure measuring instrument

→ For further specifications, see data sheet CT 95.10

5.8 Calibration case available

Calibration case

-

Consisting of:

- Plastic service case with foam insert
- Pneumatic hand test pump model CPP10-H
- For standard accessories, see chapter 2.3 "Scope of delivery"

6. Faults

Personnel: Skilled personnel

Tools: Torque spanner



WARNING!

Physical injuries and damage to property and the environment caused by hazardous media

Upon contact with hazardous media (e.g. oxygen, acetylene, flammable or toxic substances), harmful media (e.g. corrosive, toxic, carcinogenic, radioactive), and also with refrigeration plants and compressors, there is a danger of physical injuries and damage to property and the environment. Should a failure occur, aggressive media with extremely high temperature and under high pressure or vacuum may be present at the instrument.

- ▶ For these media, in addition to all standard regulations, the appropriate existing codes or regulations must also be followed.
- ▶ Wear the requisite protective equipment.



CAUTION!

Physical injuries and damage to property and the environment

If faults cannot be eliminated by means of the listed measures, the hand test pump must be taken out of operation immediately.

- ▶ Ensure that there is no longer any pressure present and protect against being put into operation accidentally.
- ▶ Contact the manufacturer.
- ▶ If a return is needed, please follow the instructions given in chapter 8.2 “Return”.



For contact details, see chapter 1 “General information” or the back page of the operating instructions.

| Faults | Causes | Measures |
|-------------------------------------|---|---|
| The hand test pump works sluggishly | The hand test pump has not been used for an extended period of time | The first stroke is a little more sluggish. This effect has disappeared after further operation. Perform the first pumping process with the pressure relief valve open |
| | High back pressure in the test item | Increase the pressure with the handwheel of the fine adjustment valve |

6. Faults

EN

| Faults | Causes | Measures |
|--|--|--|
| Instable output pressure or vacuum | Incorrect seal | Insert the correct seal |
| | Incorrectly seated seal | Position the seal correctly |
| | Seal is defective | Replace seal |
| | Contaminated seals | Clean seals |
| | Incorrect adapter or the adapter has not been mounted properly | Check the used adapter and mount it properly |
| | Pressure relief valve is open | Close the pressure relief valve and try again |
| | If unable to locate a cause | Return the hand test pump for examination |
| System provides pressure but pressure drops down to zero | Pressure relief valve is open | Close the pressure relief valve and try again |
| | Incorrect operating procedure being used | Ensure that the correct operating procedure is being followed, see chapter 5.4 "Pressure generation" |
| | If unable to locate a cause | Return the hand test pump for examination |
| System provides pressure but pressure drops down to lower value then remains stable | Internal damage | Return the hand test pump for examination |
| | Incorrect operating procedure being used | Ensure that the correct operating procedure is being followed, see chapter 5.4 "Pressure generation" |
| | If unable to locate a cause | Return the hand test pump for examination |

7. Maintenance and cleaning

7. Maintenance and cleaning

Personnel: Skilled personnel

Tools: Torque spanner, 2 mm Allen key



WARNING!

Physical injuries and damage to property and the environment caused by high pressure

During maintenance there is a risk of high pressures.

- ▶ Maintain or clean the measuring assembly/test and calibration installations once the system has been depressurised.
- ▶ Open the pressure relief valve until there is no more pressure in the hand test pump.



For contact details, see chapter 1 “General information” or the back page of the operating instructions.

7.1 Maintenance

Repairs must only be carried out by the manufacturer. This does not apply to the seal replacement.

Only use original parts, see chapter 10 “Accessories”.

7.2 Cleaning



CAUTION!

Physical injuries and damage to property and the environment

Improper cleaning may lead to physical injuries and damage to property and the environment. Residual media in the dismantled instrument can result in a risk to persons, the environment and equipment.

- ▶ Use the requisite protective equipment.



CAUTION!

Damage to the instrument

Improper cleaning may lead to damage to the instrument!

- ▶ Do not use any aggressive cleaning agents.
- ▶ Do not use any hard or pointed objects for cleaning.

Carry out the cleaning process as described below.

1. Before cleaning the hand test pump, depressurise it.
2. Clean the instrument with a moist cloth.
3. Clean the dismantled instrument, in order to protect persons and the environment from exposure to residual media.

8. Dismounting, return and disposal

8. Dismounting, return and disposal

Personnel: Skilled personnel

Tools: Torque spanner

EN



WARNING!

Physical injuries and damage to property and the environment through residual media

Residual media at the hand test pump can result in a risk to persons, the environment and equipment.

- ▶ Wear the requisite protective equipment.
- ▶ Observe the information in the material safety data sheet for the corresponding medium.
- ▶ Flush or clean the hand test pump, in order to protect persons and the environment from damage through residual media.

8.1 Dismounting



WARNING!

Physical injury

During dismounting there is a risk of high pressures.

- ▶ Only disconnect the measuring assembly/test and calibration installations once the system has been depressurised.

1. Open the pressure relief valve until there is no more pressure in the hand test pump.
2. Dismount the reference pressure measuring instrument and/or the test item.
3. Remove the seals used.
4. Dismount the adapters and T-connector, if used, from the hand test pump.

8.2 Return

Strictly observe the following when shipping the instrument:

All instruments delivered to WIKA must be free from any kind of hazardous substances (acids, bases, solutions, etc.) and must therefore be cleaned before being returned.



WARNING!

Physical injuries and damage to property and the environment through residual media

Residual media at the hand test pump can result in a risk to persons, the environment and equipment.

- ▶ In case of hazardous substances, enclose the material safety data sheet for the corresponding medium.
- ▶ For cleaning the instrument, see chapter 7.2 “Cleaning”.

8. Dismounting, return and disposal

When returning the instrument, use the original packaging or a suitable transport packaging.

To avoid damage:

1. Place the instrument, along with the shock-absorbent material, in the packaging.
Place shock-absorbent material evenly on all sides of the transport packaging.
2. If possible, place a bag, containing a desiccant, inside the packaging.
3. Label the shipment as carriage of a highly sensitive measuring instrument.



Information on returns can be found under the heading “Service” on our local website.

8.3 Disposal

Incorrect disposal can put the environment at risk.

Dispose of instrument components and packaging materials in an environmentally compatible way and in accordance with the country-specific waste disposal regulations.

9. Specifications

9. Specifications

9.1 Hand test pump

Basic information

Pressure range

Pressure generation 0 ... 10 bar [0 ... 145 psi]

Vacuum generation -0.85 ... 0 bar [-25 inHg ... 0 psi]

Pressure transmission medium

Ambient air

Pressure connections

Connector for T-connector G 1/8, female thread, at the pump body

T-connector For the connection of hose connection adapter G 1/8 male thread, to 4 mm quick connector

For reference pressure measuring instrument G 1/8, female thread, to G 1/2, female thread

For test item G 1/8, female thread, to G 1/4, female thread

Volume per stroke

Approx. 0.038 cm³

Setting of the test pressure

Fine adjustment valve

Hand test pump

Material

Connection adapters Brass, nickel-plated

Seals

- Anodised aluminium
- Brass
- ABS
- NBR 70 Shore

Dimensions (L x W x H)

Without T-connector 170 x 100 x 55 mm [6.69 x 3.94 x 2.17 in]

With T-connector 170 x 125 x 55 mm [6.69 x 4.92 x 2.17 in]

Weight

Without T-connector 675 g [1.49 lbs]

With T-connector 709 g [1.56 lbs]

Operating conditions

Usage temperature / Operating temperature

18 ... 28 °C [64 ... 82 °F]

Ambient temperature range

-10 ... +50 °C [14 ... 122 °F]

EN

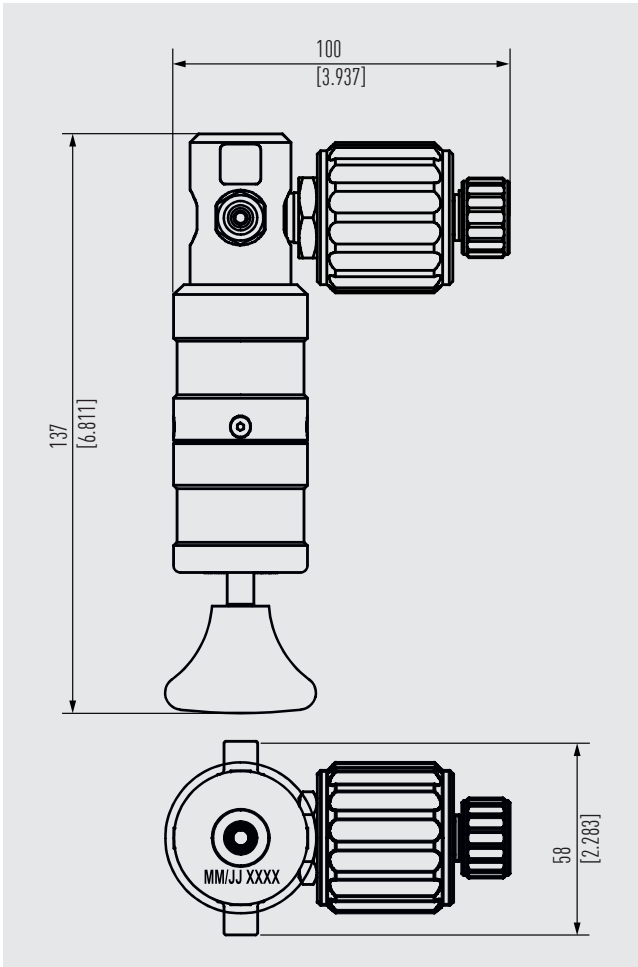
9. Specifications

| Operating conditions | |
|---------------------------|--------------------------------|
| Storage temperature range | -10 ... +50 °C [14 ... 122 °F] |
| Permissible media | Ambient air |

EN

For further specifications, see WIKA data sheet CT 91.02 and the order documentation.

9.2 Dimensions in mm [in]



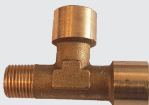




14599102.01 07/2023 EN/DE

10. Accessories

10. Accessories

EN

| | | Order code |
|--|---|------------|
| Description | | CPP-A-E- |
|  | Plastic case Incl. foam insert with recesses for model CPP10-H Dimensions (W x H x D): 350 x 265 x 85 mm [13.78 x 10.53 x 3.35 in] | -0- |
|  | Hose connection adapters G 1/8, male thread, to 4 mm hose connection | -1- |
|  | T-connector 2 x G 1/8, female thread, to G 1/8, male thread Material: Brass | -2- |
|  | Connection adapters G 1/8, female thread, to G 1/2, female thread Material: Stainless steel | -3- |
| | G 1/8, female thread, to G 1/4, female thread Material: Stainless steel | -4- |
| | G 1/8, female thread, to 1/2 NPT, female thread Material: Stainless steel | -6- |
| | G 1/8, female thread, to 1/4 NPT, female thread Material: Stainless steel | -7- |
|  | Spare hose Length 0.5 m [1.64 ft] Material: Polyurethane TPE-U (PU) | -5- |
| 1. Order code: CPP-A-E- 2. Option: | | ↓ [] |

WIKA accessories can be found online at www.wika.com.

Inhalt

| | |
|---|-----------|
| 1. Allgemeines | 30 |
| 2. Aufbau und Funktion | 31 |
| 2.1 Übersicht | 31 |
| 2.2 Beschreibung. | 31 |
| 2.3 Lieferumfang | 32 |
| 3. Sicherheit | 33 |
| 3.1 Symbolerklärung | 33 |
| 3.2 Bestimmungsgemäße Verwendung | 33 |
| 3.3 Fehlgebrauch. | 34 |
| 3.4 Personalqualifikation | 34 |
| 3.5 Beschilderung, Sicherheitskennzeichnungen | 35 |
| 4. Transport, Verpackung und Lagerung | 36 |
| 4.1 Transport | 36 |
| 4.2 Verpackung und Lagerung | 36 |
| 5. Inbetriebnahme, Betrieb | 37 |
| 5.1 Auspacken der Handprüfpumpe | 37 |
| 5.2 Aufbau | 38 |
| 5.3 Mechanische Montage | 39 |
| 5.4 Druckerzeugung. | 40 |
| 5.5 Vakuumerzeugung | 42 |
| 5.6 Empfohlene Referenz-Druckmessgeräte | 44 |
| 5.7 Einsatz mit Kalibriersoftware WIKA-Cal | 45 |
| 5.8 Lieferbarer Kalibrierkoffer. | 45 |
| 6. Störungen | 46 |
| 7. Wartung und Reinigung | 48 |
| 7.1 Wartung | 48 |
| 7.2 Reinigung | 48 |
| 8. Demontage, Rücksendung und Entsorgung | 49 |
| 8.1 Demontage | 49 |
| 8.2 Rücksendung. | 49 |
| 8.3 Entsorgung | 50 |
| 9. Technische Daten | 51 |
| 9.1 Handprüfpumpe. | 51 |
| 9.2 Abmessungen in mm [in] | 52 |
| 10. Zubehör | 53 |

1. Allgemeines

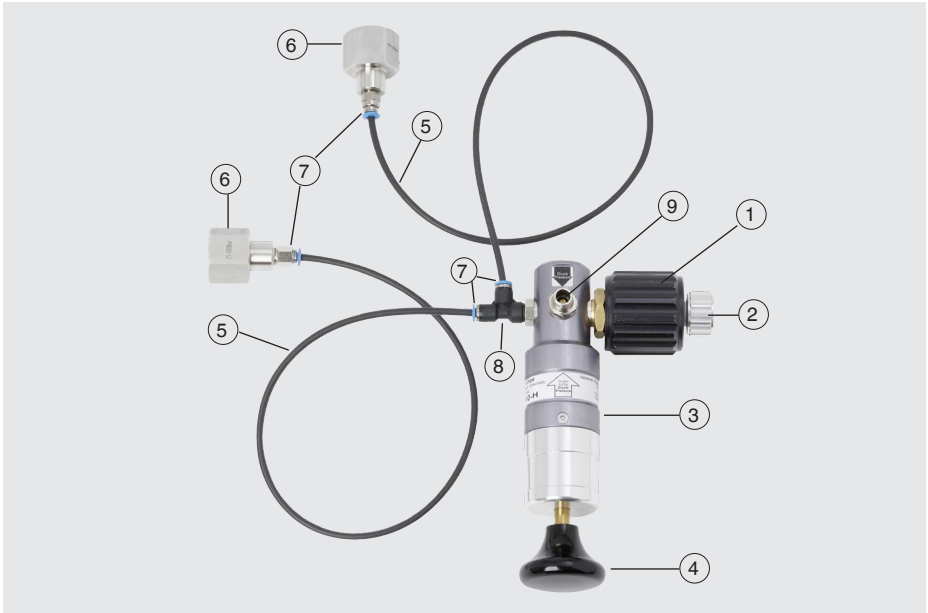
- Die in der Betriebsanleitung beschriebene pneumatische Handprüfpumpe Typ CPP10-H wird nach dem aktuellen Stand der Technik konstruiert und gefertigt. Alle Komponenten unterliegen während der Fertigung strengen Qualitäts- und Umweltkriterien. Unsere Managementsysteme sind nach ISO 9001 und ISO 14001 zertifiziert.
- Diese Betriebsanleitung gibt wichtige Hinweise zum Umgang mit dem Gerät. Voraussetzung für sicheres Arbeiten ist die Einhaltung aller angegebenen Sicherheitshinweise und Handlungsanweisungen.
- Die für den Einsatzbereich des Geräts geltenden örtlichen Unfallverhütungsvorschriften und allgemeinen Sicherheitsbestimmungen einhalten.
- Die Betriebsanleitung ist Produktbestandteil und muss in unmittelbarer Nähe des Geräts für das Fachpersonal jederzeit zugänglich aufbewahrt werden. Betriebsanleitung an nachfolgende Bediener oder Besitzer des Geräts weitergeben.
- Das Fachpersonal muss die Betriebsanleitung vor Beginn aller Arbeiten sorgfältig durchgelesen und verstanden haben.
- Bei unterschiedlicher Auslegung der übersetzten und der englischen Betriebsanleitung ist der englische Wortlaut maßgebend.
- Es gelten die allgemeinen Geschäftsbedingungen in den Verkaufsunterlagen.
- Technische Änderungen vorbehalten.
- Weitere Informationen:
 - Internet-Adresse: www.wika.de / www.wika.com
 - Zugehöriges Datenblatt: CT 91.10
 - Kontakt: Tel.: +49 9372 132-0
info@wika.de

Abkürzungen, Definitionen

- Aufzählungssymbol
- ▶ Handlungsanweisung
- 1. ... x. Handlungsanweisung Schritt für Schritt durchführen
- ⇒ Ergebnis einer Handlungsanweisung
- Siehe ... Querverweise

2. Aufbau und Funktion

2.1 Übersicht



- ① Feinreguliertventil
- ② Druckablassventil
- ③ Pumpenkörper
- ④ Stößel zur Druck-/Vakuumerzeugung
- ⑤ Anschlusschlauch; Länge 0,5 m [1,64 ft]
- ⑥ Druckanschlussadapter für Referenz-Druckmessgerät und Prüfling können frei gewählt werden, siehe Kapitel 10 „Zubehör“.
- ⑦ Schlauch-Anschlussadapter G 1/8, Außengewinde auf 4 mm Schnellanschluss
- ⑧ T-Anschlussstück 2 x G 1/8, Innengewinde auf G 1/8, Außengewinde
- ⑨ Umschaltventil Druck-/Vakuumerzeugung

2.2 Beschreibung

Die pneumatische Handprüfpumpe Typ CPP10-H dient zur Druckerzeugung für die Überprüfung, Justage und Kalibrierung von mechanischen und elektronischen Druckmessgeräten durch Vergleichsmessungen im Niederdruckbereich.

2. Aufbau und Funktion

Diese Druckprüfungen können stationär in Labor, Werkstatt oder vor Ort an der Messstelle stattfinden.

Schließt man das zu prüfende Gerät und ein hinreichend genaues Referenz-Druckmessgerät an die Handprüfpumpe an, so wirkt bei Betätigung der Pumpe auf beide Messgeräte der gleiche Druck. Durch Vergleich der beiden Messwerte bei beliebigen Druckwerten kann eine Überprüfung der Genauigkeit bzw. eine Justage des zu prüfenden Geräts erfolgen. Zum exakten Anfahren der Messpunkte kann das Feinregulierventil verwendet werden.

DE

Die CPP10-H ist eine pneumatische Handprüfpumpe für Niederdruckbereiche bis 10 bar [145 psi] mit Umschaltung auf Vakuumerzeugung bis -0,85 bar [-25 inHg]. Die CPP10-H ermöglicht trotz sehr kompakter Abmessungen eine einfache und exakte Druckerzeugung. Der maximal erreichbare Druck bzw. Vakuum ist vom angeschlossenen Prüfvolumen abhängig. Durch die leichtgängige Druckerzeugung und das integrierte Feinregulierventil lassen sich sehr kleine positive bzw. negative Drücke sicher und präzise einstellen.

Über das T-Anschlussstück und dem Anschlussschlauch können Prüfling und Referenz-Druckmessgerät einfach angeschlossen werden.

2.3 Lieferumfang

- Pneumatische Handprüfpumpe Typ CPP10-H
- T-Anschlussstück
- 4 x Schlauch-Anschlussadapter
- 2 x Anschlussschlauch; Länge jeweils 0,5 m [1,64 ft]
- Anschlussadapter
- PTFE-Dichtungsband
- Bestelltes Zubehör
- Betriebsanleitung

Lieferumfang mit dem Lieferschein abgleichen.

3. Sicherheit

3.1 Symbolerklärung

**WARNUNG!**

... weist auf eine möglicherweise gefährliche Situation hin, die zum Tod oder zu schweren Verletzungen führen kann, wenn sie nicht gemieden wird.

**VORSICHT!**

... weist auf eine möglicherweise gefährliche Situation hin, die zu geringfügigen oder leichten Verletzungen bzw. Sach- und Umweltschäden führen kann, wenn sie nicht gemieden wird.

**Information**

... hebt nützliche Tipps und Empfehlungen sowie Informationen für einen effizienten und störungsfreien Betrieb hervor.

3.2 Bestimmungsgemäße Verwendung

Die pneumatische Handprüfpumpe Typ CPP10-H dient zur Druckerzeugung für die Überprüfung, Justage und Kalibrierung von mechanischen und elektronischen Druckmessgeräten durch Vergleichsmessungen im Niederdruckbereich. Diese Druckprüfungen können stationär in Labor, Werkstatt oder vor Ort an der Messstelle stattfinden. Diese Handprüfpumpe wurde speziell für die Druckerzeugung vor Ort entwickelt.

Die CPP10-H ermöglicht trotz sehr kompakter Abmessungen eine einfache und exakte Druckerzeugung von -0,85 ... +10 bar [-25 inHg ... +145 psi] mit Möglichkeit zur Umschaltung von Vakuumherzeugung auf Niederdruckbereich.

Dieses Gerät ist nicht für den Einsatz in explosionsgefährdeten Bereichen zugelassen!

Das Gerät ist ausschließlich für den hier beschriebenen bestimmungsgemäßen Verwendungszweck konzipiert und konstruiert und darf nur dementsprechend verwendet werden.

Die technischen Spezifikationen in dieser Betriebsanleitung sind einzuhalten. Eine unsachgemäße Handhabung oder ein Betreiben des Geräts außerhalb der technischen Spezifikationen macht die sofortige Stilllegung und Überprüfung durch einen autorisierten WIKA-Service Mitarbeiter erforderlich.

Geräte mit erforderlicher Sorgfalt behandeln (vor Nässe, Stößen, starken Magnetfeldern, statischer Elektrizität und extremen Temperaturen schützen, keine Gegenstände in das Gerät bzw. Öffnungen einführen). Stecker und Buchsen vor Verschmutzung schützen.

Ansprüche jeglicher Art aufgrund von nicht bestimmungsgemäßer Verwendung sind ausgeschlossen.

3.3 Fehlgebrauch

DE



WARNUNG!

Verletzungen bzw. Beschädigung durch Fehlgebrauch

Fehlgebrauch des Geräts kann zu gefährlichen Situationen und Verletzungen führen.

- ▶ Eigenmächtige Umbauten am Gerät unterlassen.
- ▶ Gerät nicht in explosionsgefährdeten Bereichen einsetzen.
- ▶ Keinen externen Druck beaufschlagen.
- ▶ Jegliche Gewalteinwirkung auf die Bedienelemente der Handprüfpumpe vermeiden.

Druckerzeugung

Externe Druckbeaufschlagung führt zu Beschädigungen der Handprüfpumpe und muss verhindert werden.

- Keine externen Druckquellen an die Pumpe anschließen.
- Nur mit der Handprüfpumpe einen Druck erzeugen.

Wartung und Reinigung

- Es darf nur das von WIKA definierte und freigegebene Zubehör verwendet werden.
- Die Handprüfpumpe darf nicht verschmutzt werden und vor allem nicht mit feuchten, flüssigen oder gar aggressiven Messstoffen in Berührung kommen.

Jede über die bestimmungsgemäße Verwendung hinausgehende oder andersartige Benutzung gilt als Fehlgebrauch.

3.4 Personalqualifikation



WARNUNG!

Verletzungsgefahr bei unzureichender Qualifikation

Unsachgemäßer Umgang kann zu erheblichen Personen- und Sachschäden führen.

- ▶ Die in dieser Betriebsanleitung beschriebenen Tätigkeiten nur durch Fachpersonal nachfolgend beschriebener Qualifikation durchführen lassen.

Fachpersonal

Das vom Betreiber autorisierte Fachpersonal ist aufgrund seiner fachlichen Ausbildung, seiner Kenntnisse der Mess- und Regelungstechnik und seiner Erfahrungen sowie Kenntnis der landesspezifischen Vorschriften, geltenden Normen und Richtlinien in der Lage, die beschriebenen Arbeiten auszuführen und mögliche Gefahren selbstständig zu erkennen.

3. Sicherheit

Spezielle Einsatzbedingungen verlangen weiteres entsprechendes Wissen, z. B. über aggressive Messstoffe.

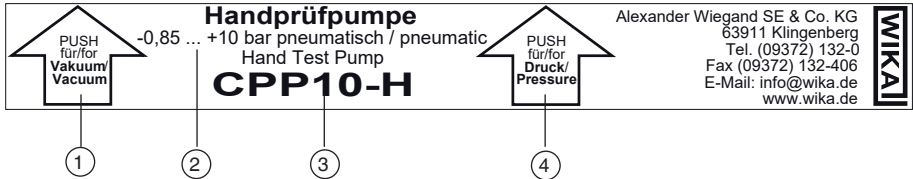
3.5 Beschilderung, Sicherheitskennzeichnungen

Die Beschilderung, Sicherheitskennzeichnungen sind lesbar zu halten.

Typenschild

Das Typenschild ist auf dem Pumpenkörper angebracht.

DE



- ① Umschaltventil für Vakuum
- ② Druckbereich
- ③ Typenbezeichnung
- ④ Umschaltventil für Druck

4. Transport, Verpackung und Lagerung

4.1 Transport

Pneumatische Handprüfpumpe auf eventuell vorhandene Transportschäden untersuchen. Offensichtliche Schäden unverzüglich mitteilen.

DE



VORSICHT!

Beschädigungen durch unsachgemäßen Transport

Bei unsachgemäßem Transport können Sachschäden in erheblicher Höhe entstehen.

- ▶ Beim Abladen der Packstücke bei Anlieferung sowie innerbetrieblichem Transport vorsichtig vorgehen und die Symbole auf der Verpackung beachten.
- ▶ Bei innerbetrieblichem Transport die Hinweise unter Kapitel 4.2 „Verpackung und Lagerung“ beachten.

Wird das Gerät von einer kalten in eine warme Umgebung transportiert, so kann durch Kondensatbildung eine Störung der Gerätefunktion eintreten. Vor einer erneuten Inbetriebnahme die Angleichung der Gerätetemperatur an die Raumtemperatur abwarten.

4.2 Verpackung und Lagerung

Die Verpackung aufbewahren, denn diese bietet bei einem Transport einen optimalen Schutz (z. B. wechselnder Einbauort, Reparatursendung).

Zulässige Bedingungen am Lagerort:

- Lagertemperatur: 0 ... 55 °C [32 ... 131 °F]
- Feuchte: 35 ... 85 % relative Feuchte (keine Betauung)

Folgende Einflüsse vermeiden:

- Direktes Sonnenlicht oder Nähe zu heißen Gegenständen
- Mechanische Vibration, mechanischer Schock (hartes Aufstellen)
- Ruß, Dampf, Staub und korrosive Gase
- Explosionsgefährdete Umgebung, entzündliche Atmosphären

Die Handprüfpumpe in der Originalverpackung an einem Ort lagern, der die oben gelisteten Bedingungen erfüllt. Wenn die Originalverpackung nicht vorhanden ist, dann das Gerät wie folgt verpacken und lagern:

1. Das Gerät mit dem Dämmmaterial in der Verpackung platzieren.
2. Bei längerer Einlagerung (mehr als 30 Tage) einen Beutel mit Trocknungsmittel der Verpackung beilegen.

5. Inbetriebnahme, Betrieb

5. Inbetriebnahme, Betrieb

Personal: Fachpersonal

Werkzeuge: Drehmomentschlüssel

Nur Originalteile verwenden, siehe Kapitel 10 „Zubehör“.



WARNUNG!

Körperverletzungen, Sach- und Umweltschäden durch gefährliche Messstoffe

Bei Kontakt mit gefährlichen Messstoffen (z. B. Sauerstoff, Acetylen, brennbaren oder giftigen Stoffen), gesundheitsgefährdenden Messstoffen (z. B. ätzend, giftig, krebserregend, radioaktiv) sowie bei Kälteanlagen, Kompressoren besteht die Gefahr von Körperverletzungen, Sach- und Umweltschäden.

Am Gerät können im Fehlerfall aggressive Messstoffe mit extremer Temperatur und unter hohem Druck oder Vakuum anliegen.

- ▶ Bei diesen Messstoffen müssen über die gesamten allgemeinen Regeln hinaus die einschlägigen Vorschriften beachtet werden.
- ▶ Notwendige Schutzausrüstung tragen.

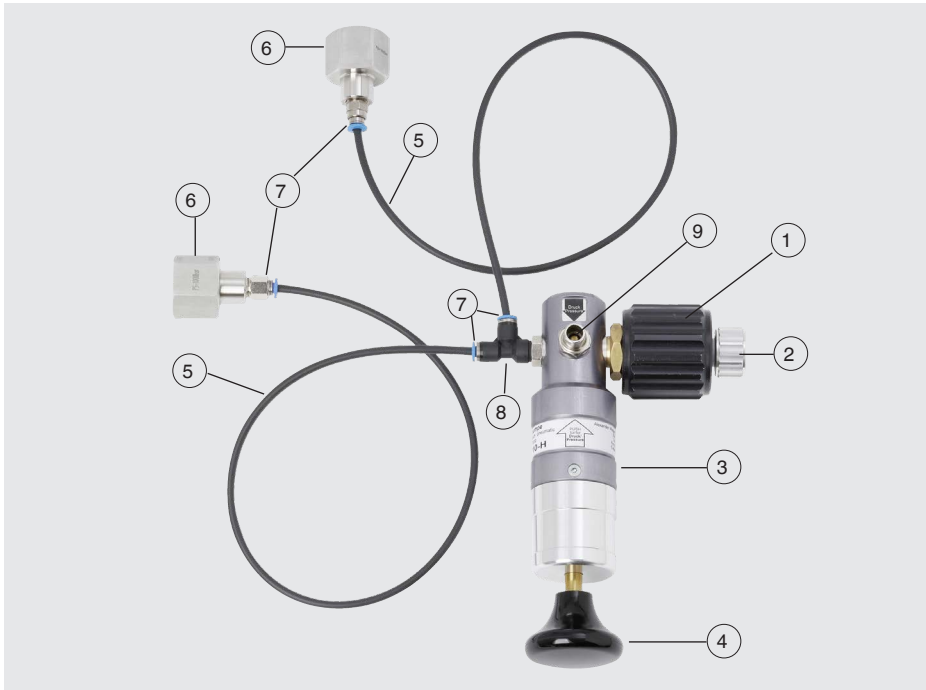
5.1 Auspacken der Handprüfpumpe

Die Verpackung der Handprüfpumpe baldmöglichst nach der Lieferung öffnen und überprüfen, ob alle in der Packliste (siehe Kapitel 2.3 „Lieferumfang“) angegebenen Teile enthalten sind. Die Teile beim Auspacken auf Transportschäden überprüfen. Sollten Teile fehlen, sofort WIKA kontaktieren.

DE

5.2 Aufbau

DE



- ① Feinregulierventil
- ② Druckablassventil
- ③ Pumpenkörper
- ④ Stößel zur Druck-/Vakuumerzeugung
- ⑤ Anschlusschlauch; Länge 0,5 m [1,64 ft]
- ⑥ Druckanschlussadapter für Referenz-Druckmessgerät und Prüfling können frei gewählt werden, siehe Kapitel 10 „Zubehör“.
- ⑦ Schlauch-Anschlussadapter G $\frac{1}{8}$, Außengewinde auf 4 mm Schnellanschluss
- ⑧ T-Anschlussstück 2 x G $\frac{1}{8}$, Innengewinde auf G $\frac{1}{8}$, Außengewinde
- ⑨ Umschaltventil Druck-/Vakuumerzeugung

5.3 Mechanische Montage



VORSICHT!

Beschädigung der Handprüfpumpe durch Verschmutzung

Verunreinigungen jeglicher Art (Öl, Fett, Wasser ...), die am Prüfling anhaften, gelangen in die Pumpe und beschädigen sie.

- ▶ Druckanschlussschlauch reinigen.
- ▶ Anschlüsse reinigen.
- ▶ Prüfling vor der Montage reinigen.

Vor dem Adaptieren von Referenz-Druckmessgerät und Prüfling die Dichtungen in den beiden Anschlüssen auf richtigen Sitz und Verschleiß prüfen.

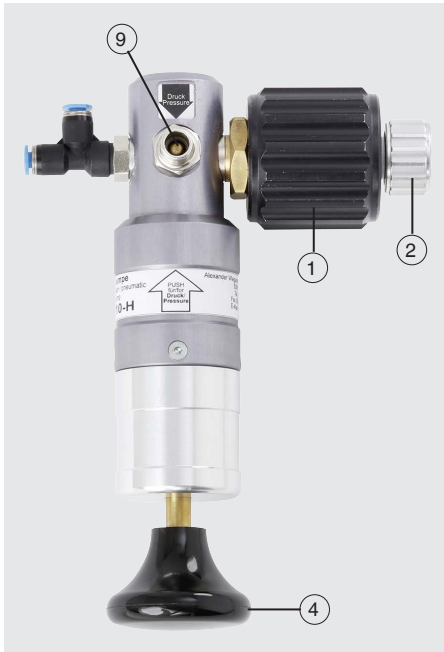
Bei Bedarf Dichtungen austauschen.



Zum Anschluss der verschiedenen Anschlussadapter und Druckanschlussstücke das PTFE-Dichtungsband verwenden. Ein Druckabfall oder eine Leckage wird dadurch vermieden.

1. Das T-Anschlussstück an das G $\frac{1}{8}$ -Innengewinde des Pumpenkörpers montieren.
2. Beide Anschlussschläuche wie folgt anschließen:
 - ▶ Ein Ende des Schlauchs mit seinem Schlauch-Anschlussadapter an das G $\frac{1}{8}$ -Innengewinde des T-Anschlussstücks montieren.
 - ▶ Das andere Ende des Schlauchs mit seinem Schlauch-Anschlussadapter an einen Druckanschlussadapter montieren.
 - ⇒ Es müssen beide Schläuche montiert werden.
3. Das Referenz-Druckmessgerät sowie den Prüfling an jeweils einen Druckanschlussadapter montieren.
 - ▶ Zum Abdichten die im Lieferumfang enthaltenen Dichtungen verwenden.
 - ▶ Den Anschluss fest anziehen, um Leckagen zu vermeiden.
 - ▶ Die Anschlüsse mit einem maximalen Drehmoment von 15 Nm festziehen.

5.4 Druckerzeugung



- ① Feinregulierventil
- ② Druckablassventil
- ④ Stößel zur Druck-/Vakuumerzeugung
- ⑨ Umschaltventil für Druck-/Vakuumerzeugung

DE



WARNUNG!

Beschädigung durch falsche Einstellung

Das Betätigen des Umschaltventils unter Druck oder Vakuum kann die Handprüfpumpe beschädigen, da schlagartig der Druck auf bzw. abgebaut wird.

- ▶ Der Druck zuvor auf Umgebungsdruck einstellen.
- ▶ Nur bei geöffnetem Druckablassventil das Umschaltventil drücken.
- ▶ Das Umschaltventil niemals betätigen, wenn die Handprüfpumpe unter Druck oder Vakuum steht!



VORSICHT!

Beschädigung der Prüflinge durch zu hohen Druck

Prüflinge und Referenz-Druckmessgerät mit Druckbereichen < 10 bar [$< 145 \text{ psi}$] können durch die Druckerzeugung beschädigt werden.

- ▶ Maximale Druckgrenze des Prüflings oder Referenz-Druckmessgeräts nicht überschreiten.
- ▶ Nur einen Vordruck erzeugen, der kleiner ist als der erforderliche Druck.
- ▶ Mit dem Feinregulierventil den genau erforderlichen Druck erhöhen.

5. Inbetriebnahme, Betrieb

Vor der Benutzung der Handprüfpumpe überprüfen:

- Das Referenz-Druckmessgerät ist mit dem Anschlussschlauch zur Druckpumpe angeschlossen.
- Der Prüfling ist mit dem Anschlussschlauch zur Druckpumpe angeschlossen.
- Alle Druckanschlüsse sind korrekt montiert und angezogen.



Aufgrund des geringen Hubs der Handprüfpumpe nur Prüflinge mit kleinem Volumen testen.

DE

1. Vor einer Druckerzeugung muss ggf. das Umschaltventil betätigt werden, siehe Aufkleber an der Pumpe. Hierzu einen Stift oder einen kleinen Schraubendreher verwenden. Die Umhüllung des Umschaltventils soll ein unbeabsichtigtes Betätigen vermeiden.
⇒ Sicherstellen, dass das Druckablassventil nicht ganz geschlossen ist.
2. Das Feinreguliertventil gegen den Uhrzeigersinn drehen, bis ein leichter Anschlag zu spüren ist.
⇒ Das Gewinde wird kurz vor dem „Anschlag“ sehr leichtgängig.
3. Das Druckablassventil vorsichtig im Uhrzeigersinn eindrehen, bis das Ventil schließt.
⇒ Dabei ist kein „harter Anschlag“ zu spüren.
4. Mit dem Stößel solange pumpen, bis der gewünschte Druck in etwa erreicht ist.
5. Mit dem Feinreguliertventil nachregeln, bis der gewünschte Druck exakt erreicht ist; max. 10 bar [145 psi].
⇒ Im Uhrzeigersinn drehen, um den Druck zu erhöhen.
⇒ Gegen den Uhrzeigersinn drehen, um den Druck zu reduzieren.



Nach Erhöhung des Drucks kann die Anzeige für etwa 30 Sekunden wieder leicht absinken. Thermodynamische Effekte, die Schlauchverbindung und die Dichtungen sind hierfür die Ursache. Den Druck mit dem Feinreguliertventil entsprechend nachregeln. Fällt der Druck immer noch ab, den Messkreis auf Dichtheit prüfen.

Reduzierung des Drucks für neuen Druckbereich

- ▶ Das Feinreguliertventil drehen, bis der neue gewünschte Druck erreicht ist.
⇒ Im Uhrzeigersinn drehen, um den Druck zu erhöhen.
⇒ Gegen den Uhrzeigersinn drehen, um den Druck zu reduzieren.

5. Inbetriebnahme, Betrieb

Reduzierung des Drucks auf 0 bar [0 psi]

1. Das Feinregulierventil gegen den Uhrzeigersinn drehen.
2. Das Druckablassventil vorsichtig öffnen, dabei nur max. eine Umdrehung gegen den Uhrzeigersinn herausdrehen.
⇒ Druck wird reduziert und es befindet sich anschließend kein Druck mehr auf der Handprüfpumpe.

DE



Das Referenz-Druckmessgerät oder den Prüfling erst demontieren, wenn das Druckablassventil geöffnet ist und sich dadurch kein Druck mehr in der Prüfpumpe befindet.

5.5 Vakuumerzeugung



- ① Feinregulierventil
- ② Druckablassventil
- ④ Stößel zur Druck-/Vakuumerzeugung
- ⑨ Umschaltventil für Druck-/Vakuumerzeugung

1. Vor einer Vakuumerzeugung muss ggf. das Umschaltventil betätigt werden, siehe Aufkleber an der Pumpe. Hierzu einen Stift oder einen kleinen Schraubendreher verwenden. Die Umhüllung des Umschaltventils soll ein unbeabsichtigtes Betätigen vermeiden.
⇒ Sicherstellen, dass das Druckablassventil nicht ganz geschlossen ist.
2. Das Feinregulierventil im Uhrzeigersinn eindrehen, bis ein leichter Anschlag zu spüren ist.
3. Das Druckablassventil vorsichtig im Uhrzeigersinn eindrehen, bis das Ventil schließt.
⇒ Dabei ist kein „harter Anschlag“ zu spüren.

5. Inbetriebnahme, Betrieb

4. Mit dem Stößel solange pumpen, bis das gewünschte Vakuum in etwa erreicht ist.
5. Mit dem Feinregulierventil nachregeln, bis das gewünschte Vakuum exakt erreicht ist, max. -0,85 bar [-25 inHg].
 - ⇒ Im Uhrzeigersinn drehen, um das Vakuum zu reduzieren (Druck erhöhen).
 - ⇒ Gegen den Uhrzeigersinn drehen, um das Vakuum zu erhöhen.



Nach Erhöhung des Vakuums kann die Anzeige für etwa 30 Sekunden wieder leicht ansteigen. Thermodynamische Effekte, die Schlauchverbindung und die Dichtungen sind hierfür die Ursache. Den Druck mit dem Feinregulierventil entsprechend nachregeln. Steigt der Druck immer noch an, den Messkreis auf Dichtheit prüfen.

DE

Reduzierung des Vakuums für neuen Druckbereich

- ▶ Das Feinregulierventil drehen, bis das neue gewünschte Vakuum erreicht ist.
 - ⇒ Im Uhrzeigersinn drehen, um das Vakuum zu reduzieren (Druck erhöhen).
 - ⇒ Gegen den Uhrzeigersinn drehen, um das Vakuum zu erhöhen.

Reduzierung des Vakuums auf 0 bar [0 psi]

1. Das Feinregulierventil im Uhrzeigersinn drehen.
2. Das Druckablassventil vorsichtig öffnen, dabei nur max. eine Umdrehung gegen den Uhrzeigersinn herausdrehen.
 - ⇒ Druck wird reduziert und es befindet sich anschließend kein Druck mehr auf der Handprüfpumpe.



Das Referenz-Druckmessgerät oder den Prüfling erst demontieren, wenn das Druckablassventil geöffnet ist und sich dadurch kein Druck mehr in der Prüfpumpe befindet.

5. Inbetriebnahme, Betrieb

5.6 Empfohlene Referenz-Druckmessgeräte

Empfohlene Referenz-Druckmessgeräte



Präzisionsdigitalmanometer Typ CPG1500

Messbereiche: 0 ... 10.000 bar [0 ... 150.000 psi]

Genauigkeit: bis zu 0,025 % FS

→ Weitere technische Daten siehe Datenblatt CT 10.51



Hand-Held-Druckmessgerät Typ CPH6200

Messbereiche: 0 ... 1.000 bar [0 ... 14.500 psi]

Genauigkeit: bis zu 0,1 % FS

→ Weitere technische Daten siehe Datenblatt CT 11.01



Hand-Held-Druckmessgerät Typ CPH6300

Messbereiche: 0 ... 1.000 bar [0 ... 14.500 psi]

Genauigkeit: bis zu 0,1 % FS

→ Weitere technische Daten siehe Datenblatt CT 12.01

5.7 Einsatz mit Kalibriersoftware WIKA-Cal

Kalibriersoftware



Kalibriersoftware WIKA-CAL

Zur Erstellung von Kalibrierzertifikaten oder Loggerprotokollen
Nur in Verbindung mit einem Referenz-Druckmessgerät

→ Weitere technische Daten siehe Datenblatt CT 95.10

5.8 Lieferbarer Kalibrierkoffer

Kalibrierkoffer

-

Bestehend aus:

- Bereitschaftskoffer aus Kunststoff mit Schaumstoffeinlage
- Pneumatische Handprüfpumpe Typ CPP10-H
- Standardzubehör siehe Kapitel 2.3 „Lieferumfang“

6. Störungen

6. Störungen

Personal: Fachpersonal

Werkzeuge: Drehmomentschlüssel



WARNUNG!

Körperverletzungen, Sach- und Umweltschäden durch gefährliche Messstoffe

Bei Kontakt mit gefährlichen Messstoffen (z. B. Sauerstoff, Acetylen, brennbaren oder giftigen Stoffen), gesundheitsgefährdenden Messstoffen (z. B. ätzend, giftig, krebserregend, radioaktiv) sowie bei Kälteanlagen, Kompressoren besteht die Gefahr von Körperverletzungen, Sach- und Umweltschäden. Am Gerät können im Fehlerfall aggressive Messstoffe mit extremer Temperatur und unter hohem Druck oder Vakuum anliegen.

- ▶ Bei diesen Messstoffen müssen über die gesamten allgemeinen Regeln hinaus die einschlägigen Vorschriften beachtet werden.
- ▶ Notwendige Schutzausrüstung tragen.



VORSICHT!

Körperverletzungen, Sach- und Umweltschäden

Können Störungen mit Hilfe der aufgeführten Maßnahmen nicht beseitigt werden, Handprüfpumpe unverzüglich außer Betrieb setzen.

- ▶ Sicherstellen, dass kein Druck mehr anliegt und gegen versehentliche Inbetriebnahme schützen.
- ▶ Kontakt mit dem Hersteller aufnehmen.
- ▶ Bei notwendiger Rücksendung die Hinweise unter Kapitel 8.2 „Rücksendung“ beachten.



Kontaktdaten siehe Kapitel 1 „Allgemeines“ oder Rückseite der Betriebsanleitung.

| Störungen | Ursachen | Maßnahmen |
|---------------------------------|--|---|
| Handprüfpumpe geht schwergängig | Handprüfpumpe längere Zeit nicht benutzt | Der erste Hub ist etwas schwergängiger. Dieser Effekt ist danach bei weiterem Betrieb wieder verschwunden. Den ersten Pumpvorgang bei geöffnetem Druckablassventil durchführen |
| | Hoher Gegendruck im Prüfling | Druck mit dem Handrad des Feinregulierventils erhöhen |

14599102.01 07/2023 EN/DE

6. Störungen

DE

| Störungen | Ursachen | Maßnahmen |
|---|--|--|
| Instabiler Ausgangsdruck bzw. Vakuum | Falsche Dichtung | Korrekte Dichtung einsetzen |
| | Falsch sitzende Dichtung | Dichtung richtig einsetzen |
| | Dichtung defekt | Dichtung ersetzen |
| | Verschmutzte Dichtungen | Dichtungen reinigen |
| | Falscher Adapter oder nicht korrekt montiert | Verwendete Adapter überprüfen und korrekt montieren |
| | Druckablassventil offen | Druckablassventil schließen und noch einmal versuchen |
| | Wenn die Ursache nicht gefunden werden kann | Handprüfpumpe zur Untersuchung zurückschicken |
| System liefert Druck aber der Druck fällt auf Null ab. | Druckablassventil offen | Druckablassventil schließen und noch einmal versuchen |
| | Vorgehensweise nicht korrekt | Sicherstellen, dass die korrekte Vorgehensweise angewandt wird, siehe Kapitel 5.4 „Druckerzeugung“ |
| | Wenn die Ursache nicht gefunden werden kann | Handprüfpumpe zur Untersuchung zurückschicken |
| System liefert Druck aber der Druck fällt auf einen niederen Wert ab und bleibt dann stabil. | Interne Beschädigung | Handprüfpumpe zur Untersuchung zurückschicken |
| | Vorgehensweise nicht korrekt | Sicherstellen, dass die korrekte Vorgehensweise angewandt wird, siehe Kapitel 5.4 „Druckerzeugung“ |
| | Wenn die Ursache nicht gefunden werden kann | Handprüfpumpe zur Untersuchung zurückschicken |

7. Wartung und Reinigung

7. Wartung und Reinigung

Personal: Fachpersonal

Werkzeuge: Drehmomentschlüssel, Sechskantschlüssel 2 mm



WARNUNG!

Körperverletzungen, Sach- und Umweltschäden durch hohen Druck

Bei der Wartung besteht Gefahr durch hohe Drücke.

- ▶ Messanordnung/Prüf- und Kalibrieraufbauten im drucklosen Zustand warten oder reinigen.
- ▶ Das Druckablassventil öffnen bis sich kein Druck mehr in der Prüfpumpe befindet.



Kontaktdaten siehe Kapitel 1 „Allgemeines“ oder Rückseite der Betriebsanleitung.

DE

7.1 Wartung

Reparaturen sind ausschließlich vom Hersteller durchzuführen. Ausgenommen ist der Austausch der Dichtungen.

Nur Originalteile verwenden, siehe Kapitel 10 „Zubehör“.

7.2 Reinigung



VORSICHT!

Körperverletzungen, Sach- und Umweltschäden

Eine unsachgemäße Reinigung führt zu Körperverletzungen, Sach- und Umweltschäden. Messstoffreste im ausgebauten Gerät können zur Gefährdung von Personen, Umwelt und Einrichtung führen.

- ▶ Notwendige Schutzausrüstung verwenden.



VORSICHT!

Beschädigung des Geräts

Eine unsachgemäße Reinigung führt zur Beschädigung des Geräts!

- ▶ Keine aggressiven Reinigungsmittel verwenden.
- ▶ Keine harten und spitzen Gegenstände zur Reinigung verwenden.

Reinigungsvorgang wie folgt beschrieben durchführen.

1. Vor der Reinigung die Handprüfpumpe in drucklosen Zustand bringen.
2. Das Gerät mit einem feuchten Tuch reinigen.
3. Ausgebautes Gerät säubern, um Personen und Umwelt vor Gefährdung durch anhaftende Messstoffreste zu schützen.

8. Demontage, Rücksendung und Entsorgung

8. Demontage, Rücksendung und Entsorgung

Personal: Fachpersonal

Werkzeuge: Drehmomentschlüssel



WARNUNG!

Körperverletzungen, Sach- und Umweltschäden durch Messstoffreste

Messstoffreste an der Handprüfpumpe können zur Gefährdung von Personen, Umwelt und Einrichtung führen.

- ▶ Notwendige Schutzausrüstung tragen.
- ▶ Angaben im Sicherheitsdatenblatt für den entsprechenden Messstoff beachten.
- ▶ Handprüfpumpe spülen bzw. säubern, um Personen und Umwelt vor Gefährdung durch anhaftende Messstoffreste zu schützen.

DE

8.1 Demontage



WARNUNG!

Körperverletzung

Bei der Demontage besteht Gefahr durch hohe Drücke.

- ▶ Messanordnung/Prüf- und Kalibrieraufbauten im drucklosen Zustand demontieren.

1. Das Druckablassventil öffnen bis sich kein Druck mehr in der Prüfpumpe befindet.
2. Das Referenz-Druckmessgerät und/oder den Prüfling demontieren.
3. Verwendete Dichtungen entfernen.
4. Ggf. verwendeten Adapter und T-Anschlussstück von der Handprüfpumpe demontieren.

8.2 Rücksendung

Beim Versand des Geräts unbedingt beachten:

Alle an WIKA gelieferten Geräte müssen frei von Gefahrstoffen (Säuren, Laugen, Lösungen, etc.) sein und sind daher vor der Rücksendung zu reinigen.



WARNUNG!

Körperverletzungen, Sach- und Umweltschäden durch Messstoffreste

Messstoffreste an der Handprüfpumpe können zur Gefährdung von Personen, Umwelt und Einrichtung führen.

- ▶ Bei Gefahrenstoffen das Sicherheitsdatenblatt für den entsprechenden Messstoff beilegen.
- ▶ Gerät reinigen, siehe Kapitel 7.2 „Reinigung“.

8. Demontage, Rücksendung und Entsorgung

Zur Rücksendung des Geräts die Originalverpackung oder eine geeignete Transportverpackung verwenden.

Um Schäden zu vermeiden:

1. Das Gerät mit dem Dämmmaterial in der Verpackung platzieren. Zu allen Seiten der Transportverpackung gleichmäßig dämmen.
2. Wenn möglich einen Beutel mit Trocknungsmittel der Verpackung beifügen.
3. Sendung als Transport eines hochempfindlichen Messgeräts kennzeichnen.

DE



Hinweise zur Rücksendung befinden sich in der Rubrik „Service“ auf unserer lokalen Internetseite.

8.3 Entsorgung

Durch falsche Entsorgung können Gefahren für die Umwelt entstehen. Gerätekomponenten und Verpackungsmaterialien entsprechend den landesspezifischen Abfallbehandlungs- und Entsorgungsvorschriften umweltgerecht entsorgen.

9. Technische Daten

9. Technische Daten

9.1 Handprüfpumpe

Basisinformationen

Druckbereich

| | |
|-----------------|--------------------------------------|
| Druckerzeugung | 0 ... 10 bar [0 ... 145 psi] |
| Vakuumerzeugung | -0,85 ... 0 bar [-25 inHg ... 0 psi] |

Druckübertragungsmedium Umgebungsluft

Druckanschlüsse

| | |
|--------------------------------|---|
| Anschluss für T-Anschlussstück | G 1/8, Innengewinde, am Pumpenkörper |
| T-Anschlussstück | Zum Anschluss für Schlauch-Anschlussadapter G 1/8, Außengewinde, auf 4 mm Schnellanschluss |
| Für Referenz-Druckmessgerät | G 1/8, Innengewinde, auf G 1/2, Innengewinde |
| Für Prüfling | G 1/8, Innengewinde, auf G 1/4, Innengewinde |

Volumen je Hub Ca. 0,038 cm³

Prüfdruckeinstellung Feinregulierventil

Handprüfpumpe

Werkstoff

Anschlussadapter Messing, vernickelt

Dichtungen

- Anodisiertes Aluminium
- Messing
- ABS
- NBR 70 Shore

Abmessungen (L x B x H)

| | |
|-----------------------|---|
| Ohne T-Anschlussstück | 170 x 100 x 55 mm [6,69 x 3,94 x 2,17 in] |
| Mit T-Anschlussstück | 170 x 125 x 55 mm [6,69 x 4,92 x 2,17 in] |

Gewicht

| | |
|-----------------------|------------------|
| Ohne T-Anschlussstück | 675 g [1,49 lbs] |
| Mit T-Anschlussstück | 709 g [1,56 lbs] |

Einsatzbedingungen

Einsatztemperatur / Betriebstemperatur 18 ... 28 °C [64 ... 82 °F]

Umgebungstemperaturbereich -10 ... +50 °C [14 ... 122 °F]

DE

9. Technische Daten

Einsatzbedingungen

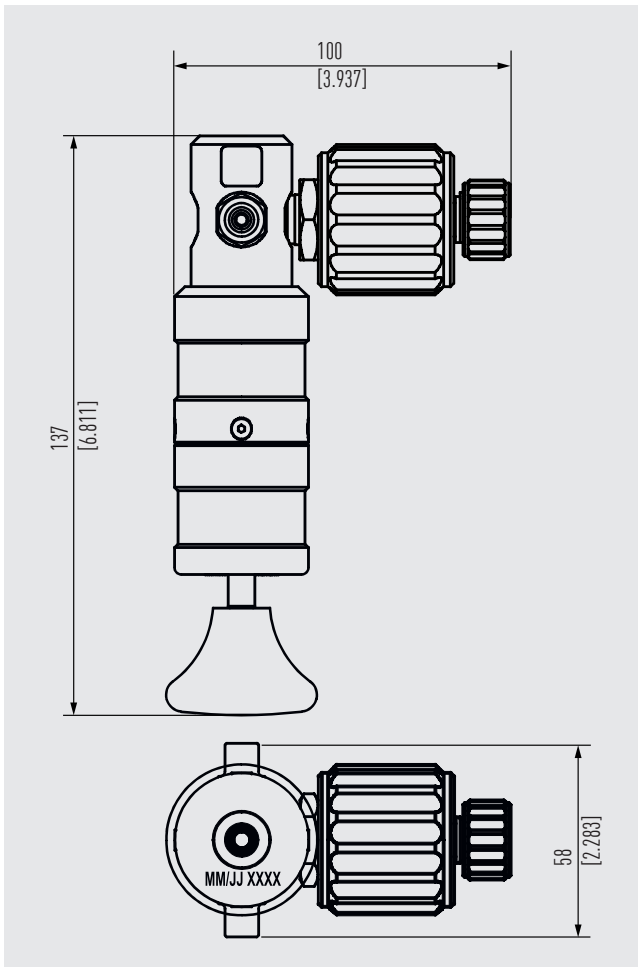
Lagertemperaturbereich -10 ... +50 °C [14 ... 122 °F]

Zulässige Messstoffe Umgebungsluft

Weitere technische Daten siehe WIKA-Datenblatt CT 91.02 und Bestellunterlagen.

DE

9.2 Abmessungen in mm [in]



14599102.01 07/2023 EN/DE

10. Zubehör

10. Zubehör

DE

| | | Bestellcode |
|--|---|-------------|
| Beschreibung | | CPP-A-E- |
|  | Kunststoffkoffer Inkl. Schaumstoffeinlage mit Aussparungen für Typ CPP10-H Abmessungen (B x H x T): 350 x 265 x 85 mm [13,78 x 10,53 x 3,35 in] | -0- |
|  | Schlauch-Anschlussadapter G 1/8, Außengewinde, auf 4 mm Schlauchanschluss | -1- |
|  | T-Anschlussstück 2 x G 1/8, Innengewinde, auf G 1/8, Außengewinde Werkstoff: Messing | -2- |
|  | Anschlussadapter G 1/8, Innengewinde, auf G 1/2, Innengewinde Werkstoff: CrNi-Stahl | -3- |
| | G 1/8, Innengewinde, auf G 1/4, Innengewinde Werkstoff: CrNi-Stahl | -4- |
| | G 1/8, Innengewinde, auf 1/2 NPT, Innengewinde Werkstoff: CrNi-Stahl | -6- |
| | G 1/8, Innengewinde, auf 1/4 NPT, Innengewinde Werkstoff: CrNi-Stahl | -7- |
|  | Ersatzschlauch Länge 0,5 m [1,64 ft] Werkstoff: Polyurethan TPE-U (PU) | -5- |
| 1. Bestellcode: CPP-A-E- 2. Option: | | ↓ [] |

WIKA-Zubehör finden Sie online unter www.wika.de.

WIKA subsidiaries worldwide can be found online at www.wika.com.
WIKA-Niederlassungen weltweit finden Sie online unter www.wika.de.



Importer for UK
WIKAI Instruments Ltd
Unit 6 and 7 Goya Business park
The Moor Road
Sevenoaks
Kent
TN14 5GY



WIKAI Alexander Wiegand SE & Co. KG
Alexander-Wiegand-Straße 30
63911 Klingenberg • Germany
Tel. +49 9372 132-0
info@wika.de
www.wika.de