

# Differential pressure gauge with pressure switch

## For ventilation and air-conditioning

### Model A2G-90

WIKA data sheet PV 27.40



for further approvals  
see page 3



### Applications

- For monitoring the differential pressure of air and other non-flammable and non-aggressive gases
- Monitoring of air filters, blowers, industrial cooling circuits, flows in ventilation ducts and the control of air and fire shutters

### Special features

- Compact indicator and pressure switch fitted within a plastic case
- Single-pole micro switch (change-over contact)
- Switch point adjustable when installed
- All connections already pre-assembled



Differential pressure gauge with pressure switch,  
model A2G-90

### Description

The model A2G-90 differential pressure gauge with pressure switch is a combination of the Eco model A2G-05 differential pressure gauge and the model A2G-40 differential pressure switch, which have been fitted within a compact plastic case.

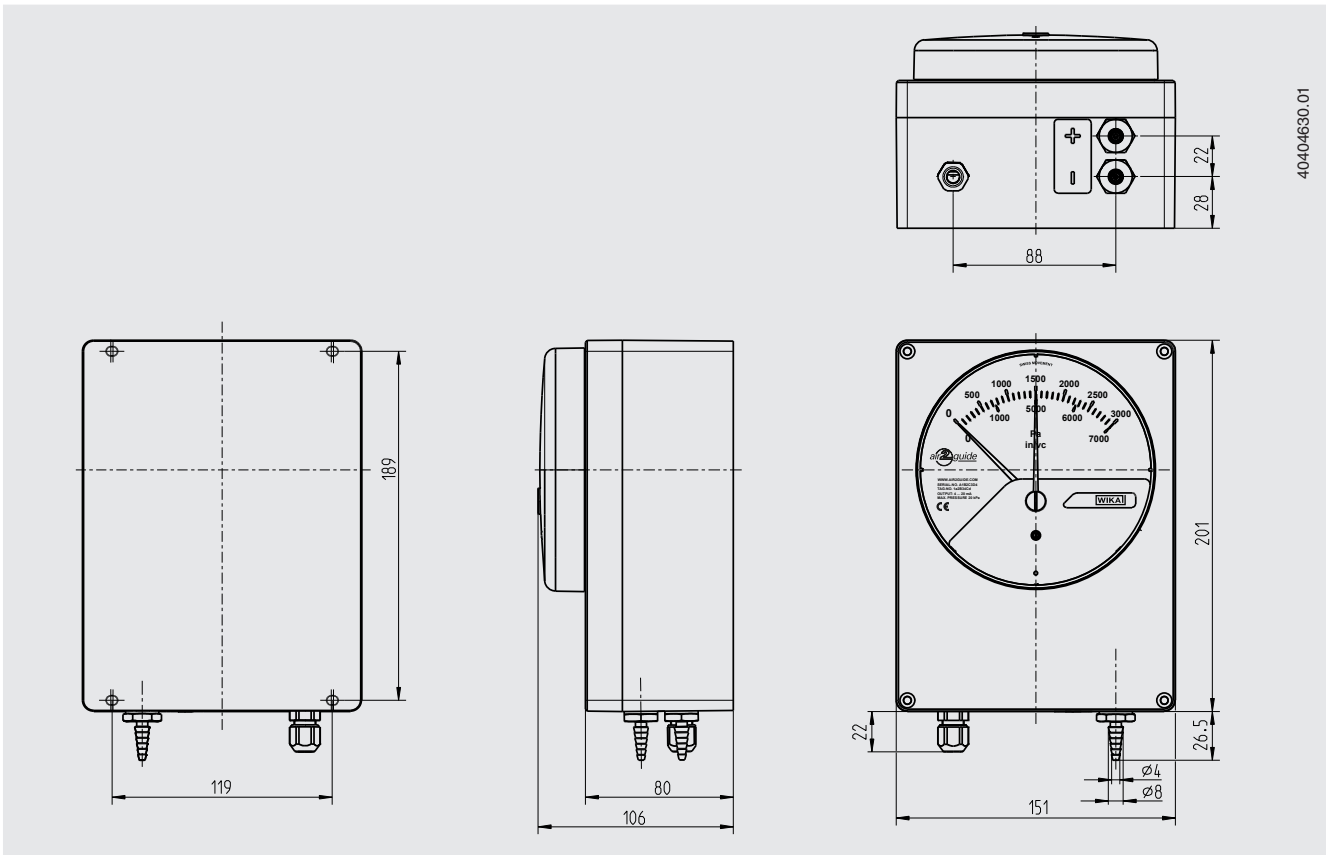
The case is made from plastic (ABS) and with all connections built in. The cover is screwed on. All versions have an ingress protection of IP65 (per EN/IEC 60529).

The A2G-90 is ideally suited wherever an analogue display (e.g. for local control) and a switching output (e.g. for direct connection to a higher-level controller) are required.






# Specifications

Differential pressure gauge with pressure switch, model A2G-90	
<b>Measuring range</b> ■ Model A2G-05 ■ Model A2G-40	0 ... 250 Pa to 0 ... 6,000 Pa 20 ... 200 Pa, 30 ... 300 Pa, 30 ... 500 Pa, 40 ... 600 Pa, 100 ... 1,500 Pa, 500 ... 4,500 Pa
<b>Accuracy</b> ■ Model A2G-05  ■ Model A2G-40	≥ 250 Pa: Class 3.0 101 ... 249 Pa: Class 5.0 ≤ 100 Pa: Class 10.0  20 Pa ±5 Pa ... 500 Pa ±50 Pa 200 Pa ±20 Pa ... 4,500 Pa ±200 Pa
<b>Case</b>	Plastic (ABS), colour black
<b>Window</b>	Polycarbonate (PC)
<b>Cover</b>	Screwed
<b>Process connection</b>	For hoses with inner diameter 4 ... 7 mm, lower mount
<b>Electrical connection</b>	Cable gland M12 Lower mount
<b>Permissible temperatures</b> ■ Ambient temperature ■ Medium temperature	-30 ... +80 °C -16 ... +50 °C
<b>Ingress protection</b>	IP65 per IEC/EN 60529
<b>Dimensions (H x W x D)</b>	201 x 15 x 106 mm

## Dimensions in mm



## Accessories

Description	Order number
<b>Process connections</b>	
 With mounting thread G 1/8 for pipes 6.35 mm/1/4"	40232867
 Combi hose connection for pressure measurement hoses Ø 4 - 7 mm	40232484
<b>Connections for static duct probes for 1/4" pipes</b>	
 Insertion length 100 mm	40232956
Insertion length 150 mm	40232964
Insertion length 200 mm	40232972
<b>Measuring hoses</b>	
 PVC hose, inner diameter 4 mm, roll at 25 m	40217841
PVC hose, inner diameter 6 mm, roll at 25 m	40217850
Silicone hose, inner diameter 4 mm, roll at 25 m	40208940
Silicone hose, inner diameter 6 mm, roll at 25 m	40208958
<b>Duct connector for hose 4 and 6 mm</b>	40217507
	

## Approvals

Logo	Description	Country
	<b>EU declaration of conformity</b> <ul style="list-style-type: none"> <li>■ EMC directive</li> <li>■ RoHS conformity</li> <li>■ WEEE directive</li> </ul>	European Union
	<b>EAC (option)</b> <ul style="list-style-type: none"> <li>■ Import certificate</li> <li>■ EMC directive</li> </ul>	Eurasian Economic Community
	<b>GOST (option)</b> Metrology, measurement technology	Russia

## Certificates (option)

- 2.2 test report
- 3.1 inspection certificate

Approvals and certificates, see website

## Scope of delivery

- Differential pressure gauge with pressure switch

## Ordering information

Model / Scale range of Eco model A2G-05 differential pressure gauge / Measuring range of model A2G-40 differential pressure switch / Hose connection inner diameter 4 or 6 mm / Options

© 03/2010 WIKA Alexander Wiegand SE & Co. KG, all rights reserved.  
The specifications given in this document represent the state of engineering at the time of publishing.  
We reserve the right to make modifications to the specifications and materials.

