

## Bourdon tube pressure gauge Stainless steel, high pressure, safety version Models 222.30, 223.30

WIKA data sheet PM 02.09



EAC

for further approvals  
see page 2

### Applications

- Increased safety requirements
- With liquid-filled case for applications with high dynamic pressure loads or vibrations <sup>1)</sup>
- For gaseous and liquid aggressive media that are not highly viscous or crystallising, also in aggressive ambience
- Process industry: Chemical, petrochemical, power plants, mining, on- and offshore, environmental technology, machine building and general plant construction

### Special features

- Safety pressure gauge with solid baffle wall designed in compliance with operational safety requirements of EN 837-1
- Excellent load-cycle stability and shock resistance
- All stainless steel construction, socket, pressure element and end piece of Bourdon tube welded
- Scale ranges 0 ... 2,500 to 0 ... 7,000 bar



Bourdon tube pressure gauge model 222.30

### Description

#### Nominal size in mm

160

#### Accuracy class

1.0

#### Scale ranges

0 ... 2,500 bar  
0 ... 4,000 bar  
0 ... 6,000 bar  
0 ... 7,000 bar

#### Pressure limitation

Steady: 3/4 x full scale value  
Fluctuating: 2/3 x full scale value

#### Permissible temperature

Ambient: -40 ... +60 °C without liquid filling  
-20 ... +60 °C with glycerine filling <sup>1)</sup>  
Medium: +200 °C maximum without liquid filling  
+100 °C maximum with liquid filling <sup>1)</sup>

#### Temperature effect

When the temperature of the measuring system deviates from the reference temperature (+20 °C):  
Max.  $\pm 0.4 \%$ /10 K of full scale value

#### Ingress protection

IP65 per IEC/EN 60529

<sup>1)</sup> Model 223.30

## Standard version

### Process connection

Stainless steel, lower mount (LM)

Optionally (specify when ordering):

- Female thread 9/16 - 18 UNF with 60° sealing cone per Autoclave Engineers
- Female thread M16 x 1.5 to fit lens seal with 60° sealing cone
- Female thread 5/8 - 18 UNF to fit lens seal with 60° sealing cone

### Pressure element

NiFe-alloy

### Movement

Stainless steel

### Dial

Aluminium, white, black lettering

### Pointer

Aluminium, black

### Case

Stainless steel, with solid baffle wall (Solidfront) and blow-out back

### Window

Laminated safety glass

### Bezel ring

Cam ring (bayonet type), stainless steel

### Filling liquid (for model 223.30)

Glycerine 99.7 %

### Mounting

Mounting by means of a rigid measuring line or a mounting bracket, extension 60 mm, for wall mounting (included in delivery)

## Options

- Panel mounting flange, stainless steel
- Process connection G 3/4 B (male) per ISO 228/1
- Switch contacts (data sheet AC 08.01)

## EU conformity

### Pressure equipment directive

PS > 200 bar, module A, pressure accessory

## Approvals

- **EAC (option)**, import certificate, customs union Russia/Belarus/Kazakhstan
- **CRN**, safety (e.g. electr. safety, overpressure, ...), Canada

## Certificates (option)

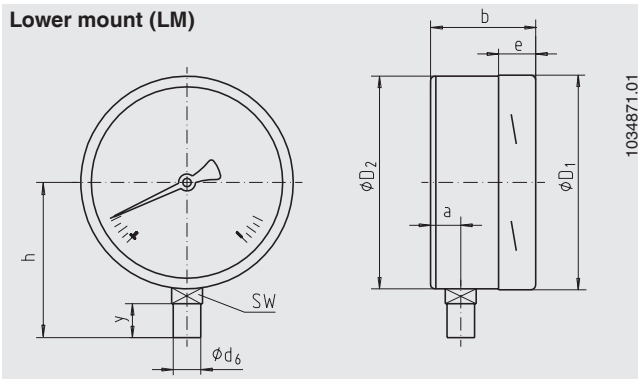
- 2.2 test report per EN 10204 (e.g. state-of-the-art manufacturing, material proof, indication accuracy)
- 3.1 inspection certificate per EN 10204 (e.g. indication accuracy)

Approvals and certificates, see website

**Dimensions in mm**

**Standard version**

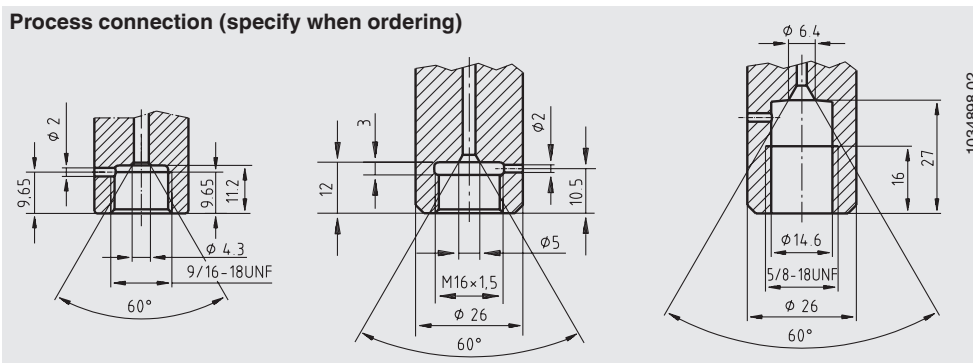
**Lower mount (LM)**



NS	Dimensions in mm									Weight in kg
	a	b	D <sub>1</sub>	D <sub>2</sub>	d <sub>6</sub>	e	h ±2	y	SW	
160	26.5	71	161	159	26	26	125	30	27	2.0 <sup>1)</sup>

1) For gauges with liquid filling 3.20 kg

**Process connection (specify when ordering)**



**Ordering information**

Model / Nominal size / Scale range / Process connection / Options

© 10/2006 WIKA Alexander Wiegand SE & Co. KG, all rights reserved.  
 The specifications given in this document represent the state of engineering at the time of publishing.  
 We reserve the right to make modifications to the specifications and materials.