

# Adhesive label set for red and green circular arcs

## For NS 63, 100 and 160 pressure gauges and dial thermometers

### Model 910.33

WIKA data sheet AC 08.03

#### Applications

- Individual red-green marking of scale ranges on dial measuring instruments
- Retrospective application of individual red-green marking, even on instruments already installed in the field

#### Special features

- Red and green circular arcs in different lengths
- Simple handling through backing paper and protective foil
- Through the translucent adhesive label material, the scale markings of the dial remain easily readable
- Long-term stable, temperature- and UV-resistant adhesive labels



Example applied to an NS 100 pressure gauge

#### Description

The model 910.33 adhesive label set for pressure gauges and dial thermometers enables the simple and individual marking of red and green on instruments.

The advantages for the user are freely definable scale ranges of red and green circular arcs for the required nominal size. The possibility exists for the required colour, length and position of the circular arcs to be applied from outside onto the window.

The simple attachment of the adhesive labels can also be carried out as a retro-fit on instruments that have already been installed.

The high-quality adhesive label material guarantees long-term stability and, in addition, the translucent properties permit the good readability of the underlying dial.

## Specifications

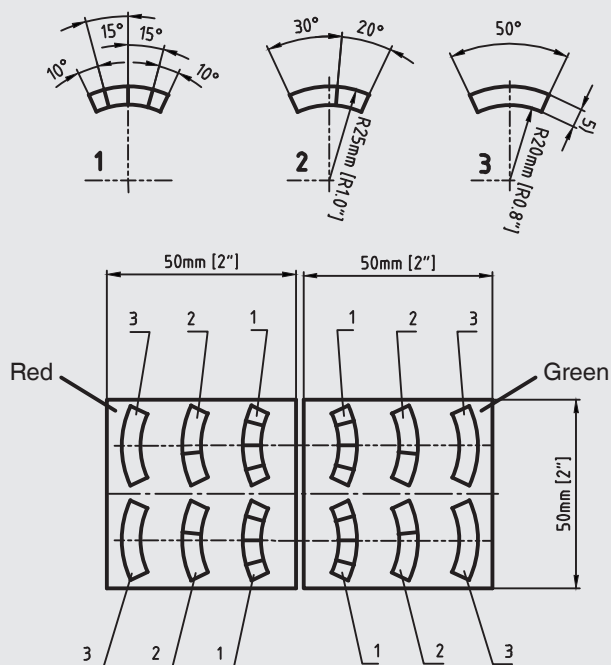
Model 910.33	
Adhesive label material	PVC foil, translucent
Colour of the circular arcs	Red (RAL 3020) and green (RAL 6024)
Permissible temperature	-40 ... +60 °C [-104 ... +160 °F]
Nominal size of the instrument	63, 100 and 160

## Ordering information

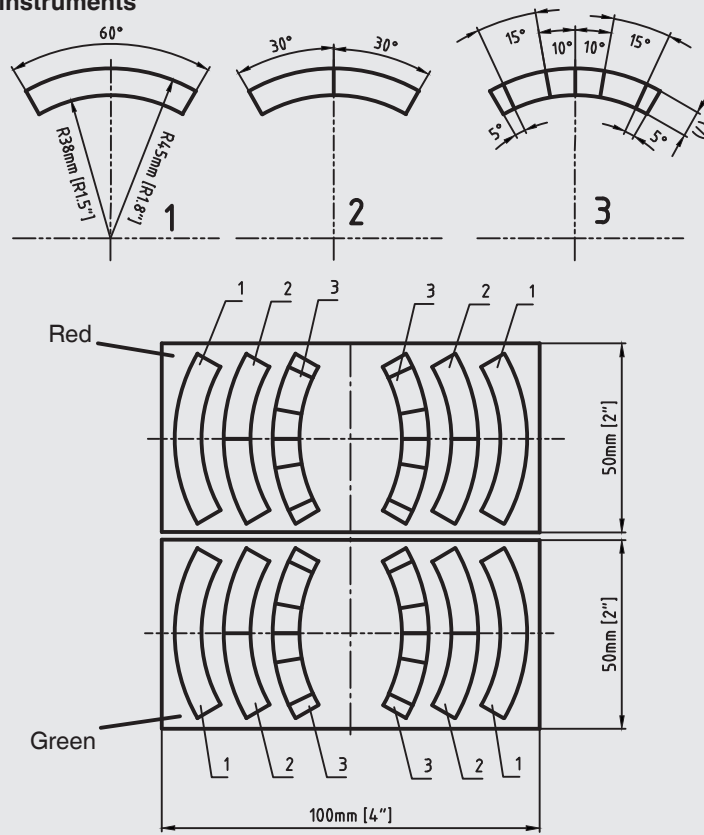
Nominal size of the instrument	Order number
63	14238946
100	14238945
160	14228352

## Dimensions

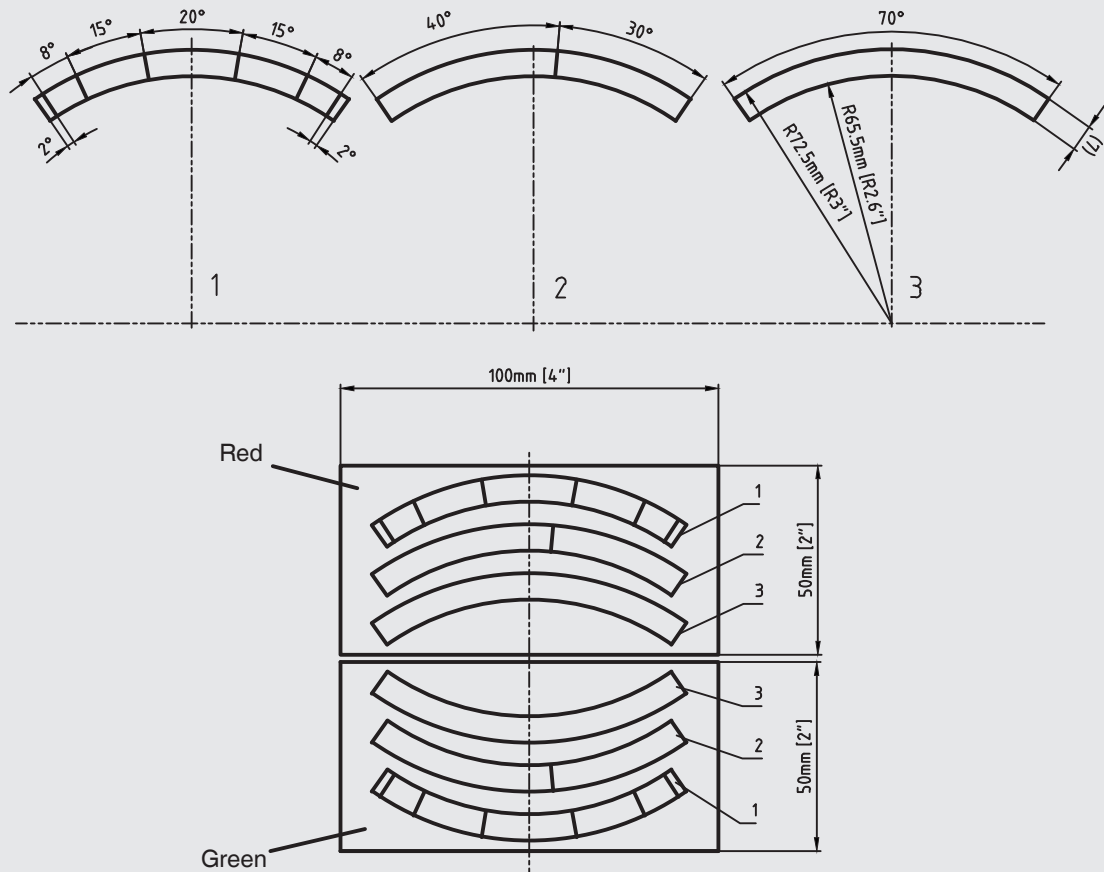
### Adhesive labels for NS 63 instruments



Adhesive labels for NS 100 instruments



Adhesive labels for NS 160 instruments



© 05/2018 WIKA Alexander Wiegand SE & Co. KG, all rights reserved.  
The specifications given in this document represent the state of engineering at the time of publishing.  
We reserve the right to make modifications to the specifications and materials.



**WIKAL Alexander Wiegand SE & Co. KG**  
Alexander-Wiegand-Straße 30  
63911 Klingenberg/Germany  
Tel. +49 9372 132-0  
Fax +49 9372 132-406  
info@wika.de  
www.wika.de